

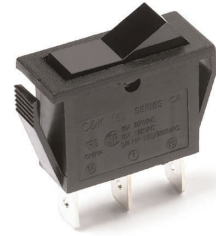
C&K CA Series Power Rocker Switches

Features/Benefits


- 15 AMPS @ 125 V AC
- Cosmetic slimline detail
- Positive detent

Typical Applications

- Hair dryers
- Major and small appliances



Specifications

CONTACT RATING: 15 AMPS @ 125 V AC; 10 AMPS @ 250 V AC; 1/4 HP @ 125 V AC or 250 V AC 

ELECTRICAL LIFE: 10,000 make-and-break cycles at full load.

INSULATION RESISTANCE: $10^9 \Omega$ min.

DIELECTRIC STRENGTH: 1,000 Vrms min. @ sea level.

Materials

HOUSING: 6/6 nylon (UL 94V-2), black.

ACTUATOR: Polycarbonate (UL 94V-2), black.

CONTACTS: Coin silver, silver plated.

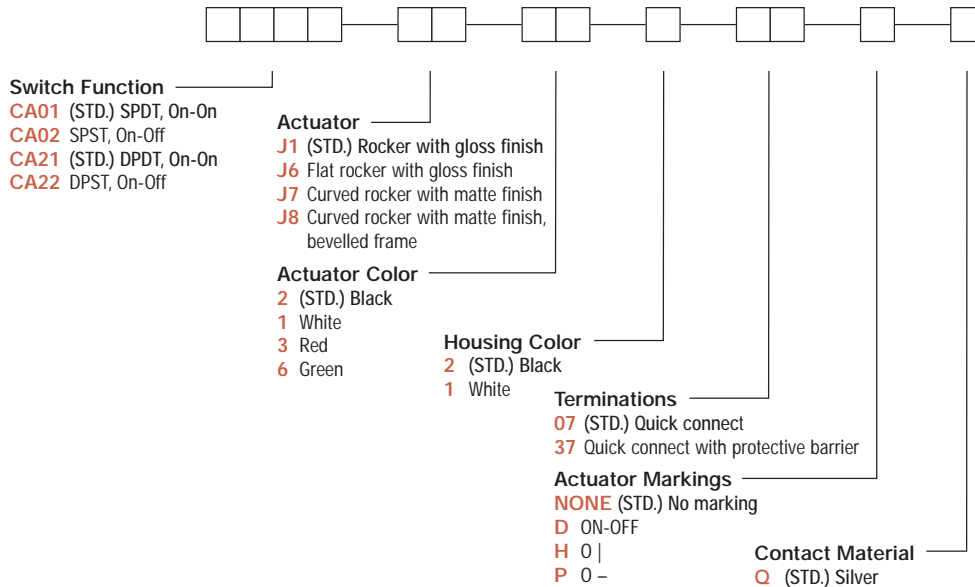
TERMINALS: Copper, silver plated.

CONTACT SPRING: Music wire.

NOTE: Specifications and material listed above are for switches with standard options. For information on specific and custom switches, consult Customer Service Center.

Build-A-Switch

To order, simply select desired option from each category and place in the appropriate box. Available options are shown and described on pages G-72 thru G-74. For additional options not shown in catalog, consult Customer Service Center.



Rocker



C&K CA Series Power Rocker Switches

SWITCH FUNCTION



NO. POLES	MODEL NO.	SWITCH FUNCTION		CONNECTED TERMINALS		SCHEMATIC
		POS. 1	POS. 2	POS. 1	POS. 2	
SP	CA01 (STD.)	ON	ON	1-1A	1-1B	SPDT
	CA02	ON	OFF	1-1A	OPEN	SPST
<p>SPDT</p> <p>Part number shown: CA01J12207Q</p> <p>ACTUATOR SHOWN IN POS. 1</p> <p>TERMINAL NOS. MARKED ON HOUSING</p>						
DP	CA21 (STD.)	ON	ON	1-1A, 2-2A	1-1B, 2-2B	DPDT
	CA22	ON	OFF	1-1A, 2-2A	OPEN	DPST
<p>DPDT</p> <p>Part number shown: CA21J12207Q</p> <p>ACTUATOR SHOWN IN POS. 1</p> <p>TERMINAL NOS. MARKED ON HOUSING</p>						

For complete contact ratings and agency approvals, see CONTACT MATERIAL section, page G-74.
Contacts make on side opposite actuator thrown.

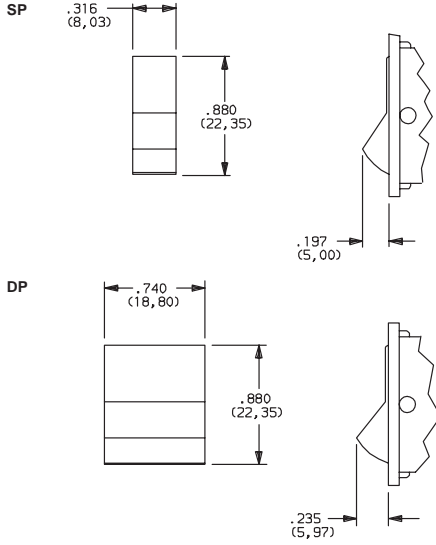
All models with all options.

C&K CA Series Power Rocker Switches

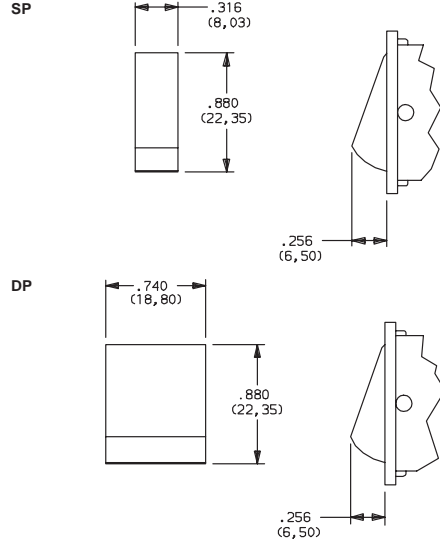
ACTUATOR



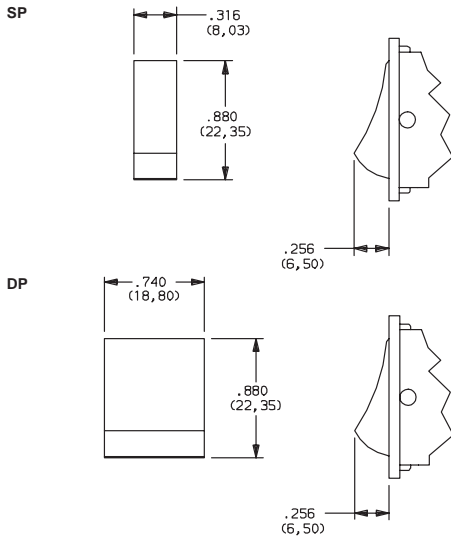
J1 (STD.) ROCKER WITH GLOSS FINISH



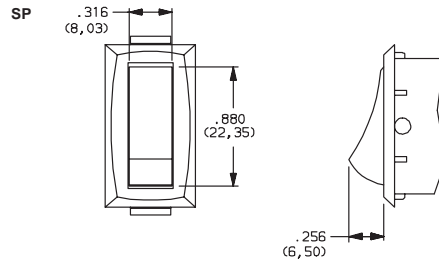
J6 FLAT ROCKER WITH GLOSS FINISH



J7 CURVED ROCKER WITH MATTE FINISH



J8 CURVED ROCKER WITH MATTE FINISH AND BEVELLED FRAME



NOTE: Available on SP models only.

ACTUATOR COLOR



OPTION CODE	OPAQUE ACTUATOR COLOR
2	(STD.) BLACK
1	WHITE
3	RED
6	GREEN

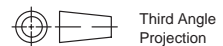
NOTE: Actuator finish: matte. Special colors available, consult Customer Service Center.

HOUSING COLOR



OPTION CODE	HOUSING COLOR
2	(STD.) BLACK
1	WHITE

NOTE: Housing frame finish: matte.



Dimensions are shown: IN (mm)
Dimensions subject to change

Rocker

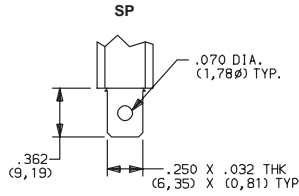


G

C&K CA Series Power Rocker Switches

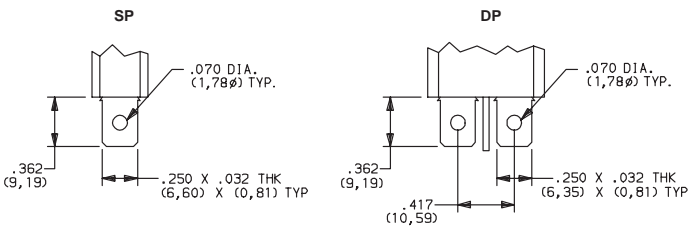
TERMINATIONS

07 (STD.) QUICK CONNECT

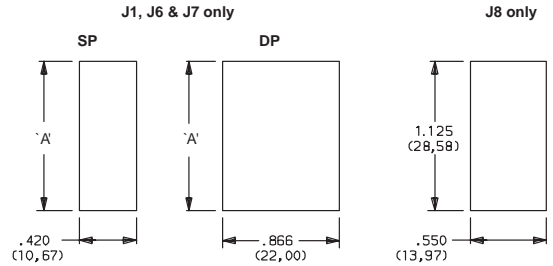


NOTE: Not available with DP versions.

37 QUICK CONNECT WITH PROTECTIVE BARRIER



PANEL MOUNTING



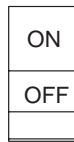
PANEL THICKNESS	DIM 'A'
.059-.078 (1,50) (2,00)	1.102 (28,00)
.078-.118 (2,00) (3,00)	1.110 (28,20)
.118-.177 (3,00) (4,50)	1.126 (28,60)

ACTUATOR MARKINGS

NONE (STD.) NO MARKING



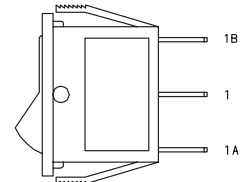
D ON-OFF



H O |



P O -



Marking color white, standard for all actuator colors except white and yellow. Marking color black, standard for white and yellow actuators. Consult Customer Service Center for other available markings and colors.

NOTE: Orientation of actuator markings and terminals

CONTACT MATERIAL

OPTION CODE	CONTACT & TERMINAL MATERIAL	RATINGS	
		POWER	15 AMPS @ 125 V AC; 10 AMPS @ 250 V AC; 1/4 HP @ 125 V AC or 250 V AC (UL/CSA).
Q (STD.)	SILVER ¹		

CONTACT MATERIAL/APPLICATION RECOMMENDATIONS - SEE SECTION N.

¹ CONTACTS: Coin silver, silver plated.
TERMINALS: Copper, silver plated.

All models with all options.