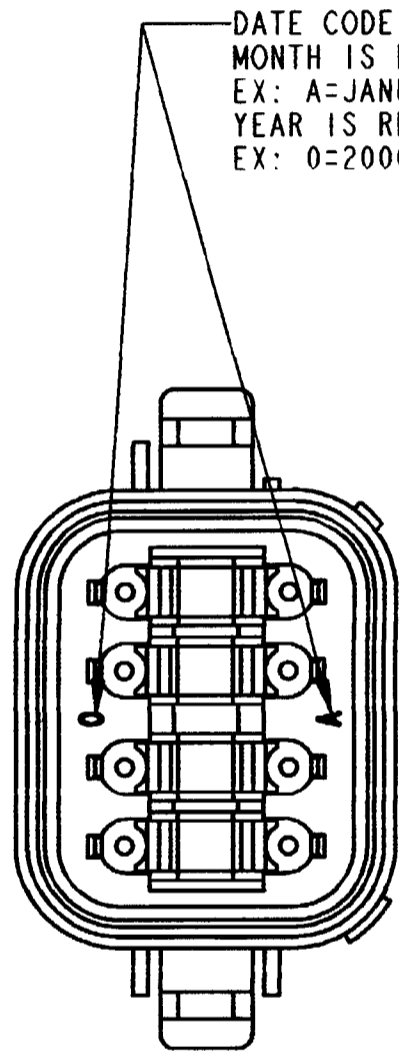
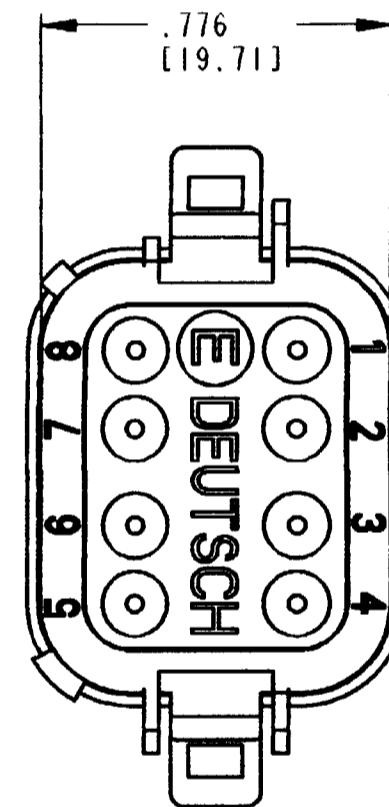
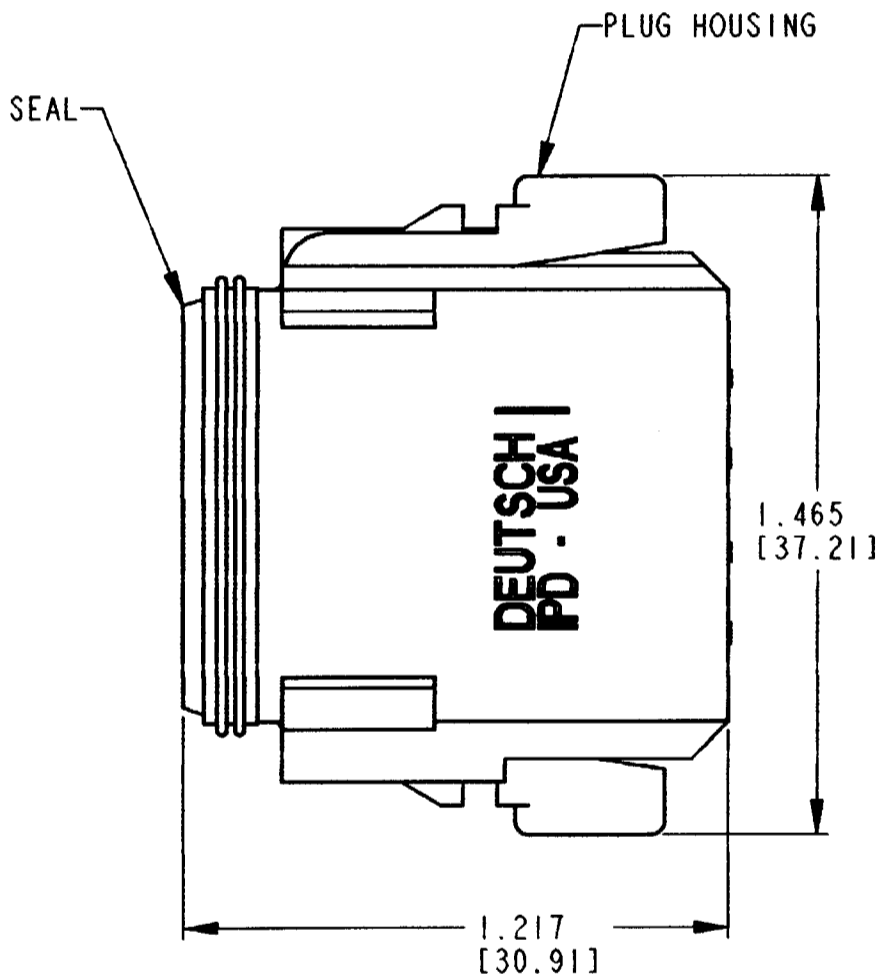


3D VIEW

CONTACT SIZE	MIN. INSUL O.D.	MAX. INSUL O.D.	WIRE RANGE [mm ²]
16	.053 [1.35]	.120 [3.05]	14-20 AWG [2.0-0.5]



DATE CODE:
MONTH IS REPRESENTED BY SEQUENTIAL ALPHA CHARACTERS.
EX: A=JANUARY
YEAR IS REPRESENTED BY LAST NUMERICAL DIGIT.
EX: 0=2000



REV	SYM	REVISIONS		
		DESCRIPTION	DATE	APPROVED
A	DT06-08SA-CE10			
	NC	NEW RELEASE PER E.O. P16304	9/10/99	R.D.R.
	A	REVISED PER E.O. P19538	5-17-07	RDR

4. THIS PLUG MATES WITH DT04-08PA-**** RECEPTACLE (**** = ALL MODIFICATIONS). CONSULT FACTORY FOR MODIFICATIONS.
3. FOR CONTACTS AND WIRE PERFORMANCE AND APPLICATION CHARACTERISTICS SEE ENVELOPE DRAWING 0425-015-0000 AND 0425-017-0000.
2. DIMENSIONS ARE ±.025[0.63] UNLESS OTHERWISE SPECIFIED.
1. DIMENSIONS ARE IN INCHES [MILLIMETERS].
- NOTES:

SIGNATURE & DATE	
DR	S. THEIS 9/9/99
CHK	[Signature] 5/17/07
PE	R. Wenzel 5/17/07
APPD	S. Brund 5-10-07
SCALE 2.5:1	WT _____

8 WAY PLUG
-A- KEY
COLOR: BLACK
W/ REDUCED WIRE SEALS
SEAL RETENTION DESIGN
DT SERIES
ENVELOPE

MATERIAL CODE	
EP	The Deutsch Company DEUTSCH I.P.D. 3850 INDUSTRIAL AVE. HEMET, CALIF. 92545
B	DT06-08SA-CE10
DWG SIZE	CODE 11139 SHEET 1 OF 1