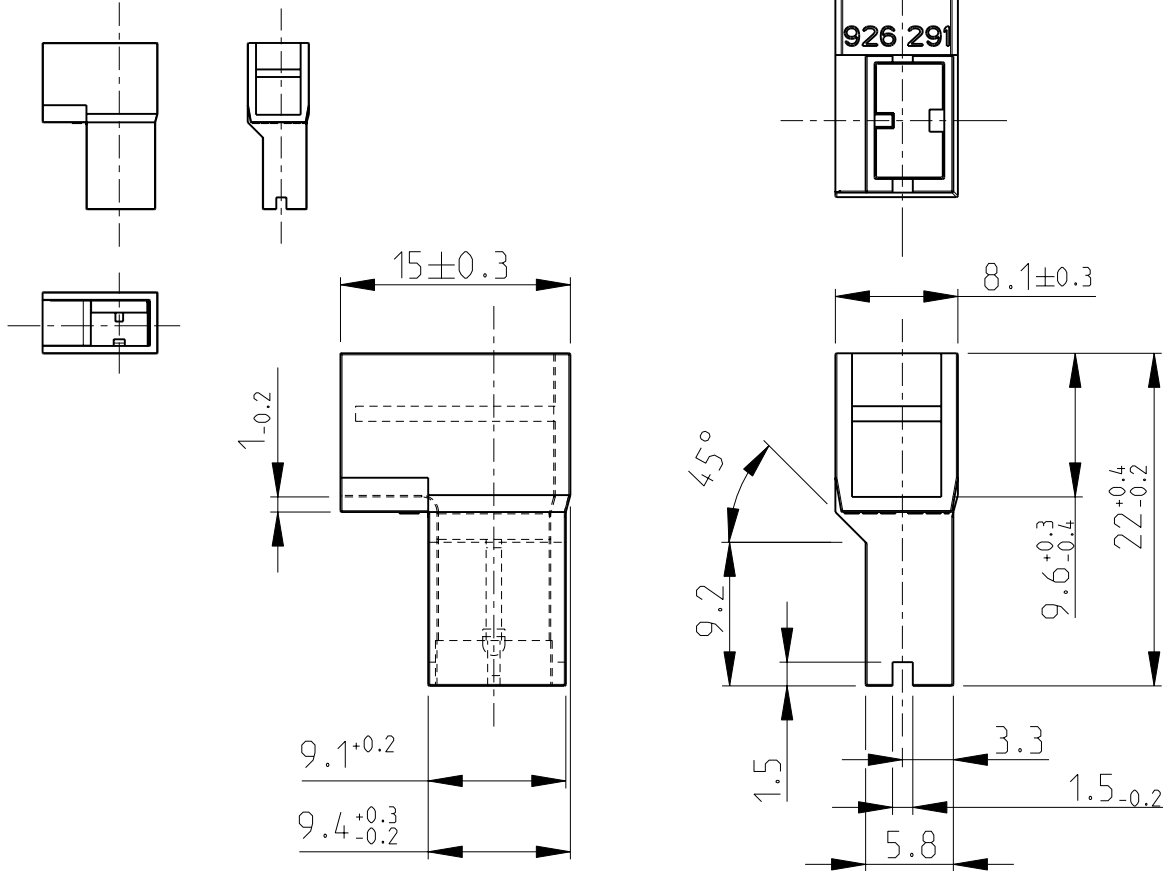


LOC	DIST	REVISIONS					
A1	-	P	LTR	DESCRIPTION	DATE	DWN	APVD
		A		Umhuellungskreis hinzu	19.11.1979		
		B		Maß 9.4 +0,3/-0,2 ergaenzt	11.12.1979		
		C		Maß 22 +0,4/-0,2 war 22±0.3	30.6.1980		
		H1		NEW CAD DRAWING CREATED	20.8.2008	Raab	Goe.

Maßstab
SCALE 1:1



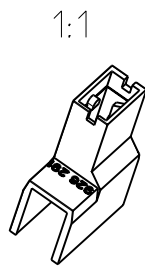
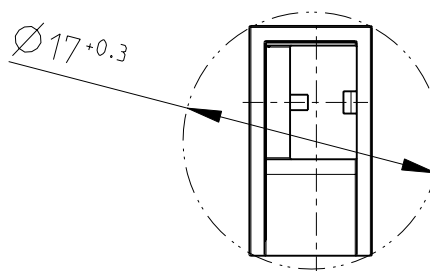
Bemerkungen
NOTES:



Nicht bemaßte Wanddicken 0.76_{-0.16}
WALL THICKNESS 0.76_{-0.16} EXCEPT AS NOTED



Nicht bemaßte Radien R 0.3^{+0.2}
ALL RADII 0.3^{+0.2} R EXCEPT AS NOTED



schwarz/ BLACK	PA 6.6	926291-1	H
natur/ NATURAL	PA 6.6	926291-2	H
COLOR	MATERIAL	PARTNUMBER	REV.

DIMENSIONS: mm	DWN Raab, S.	19AUG2008	MATERIAL	-	FINISH	-														
	CHK Goepfel, C.	20AUG2008	Tyco Electronics AMP GmbH 64625 Bensheim (Germany)																	
TOLERANCES UNLESS OTHERWISE SPECIFIED:	APVD Bleicher, M.	21AUG2008																		
<table border="1"> <tr> <td>0 PLC</td> <td>±</td> <td rowspan="5">±0.2mm</td> </tr> <tr> <td>1 PLC</td> <td>±</td> </tr> <tr> <td>2 PLC</td> <td>±</td> </tr> <tr> <td>3 PLC</td> <td>±</td> </tr> <tr> <td>4 PLC</td> <td>±</td> </tr> <tr> <td>ANGLES</td> <td>±</td> <td>± 1.5°</td> </tr> </table>	0 PLC	±	±0.2mm	1 PLC	±	2 PLC	±	3 PLC	±	4 PLC	±	ANGLES	±	± 1.5°	PRODUCT SPEC	-	NAME	Positive Lock Gehaeuse der Serie 6.3 90 Grad abgewinkelt POSITIVE LOCK FLAG HOUSING		
	0 PLC	±		±0.2mm																
1 PLC	±																			
2 PLC	±																			
3 PLC	±																			
4 PLC	±																			
ANGLES	±	± 1.5°																		
	APPLICATION SPEC	-	SIZE	CAGE CODE	DRAWING NO	RESTRICTED TO														
	WEIGHT	0.7 g	A 4	00779	©=926291	-														
CUSTOMER DRAWING			SCALE	2:1	SHEET	1 OF 1 REV H1														

2008

RELEASED FOR PUBLICATION

THIS DRAWING IS UNPUBLISHED.

BY TYCO ELECTRONICS CORPORATION. ALL RIGHTS RESERVED.
COPYRIGHT 2008