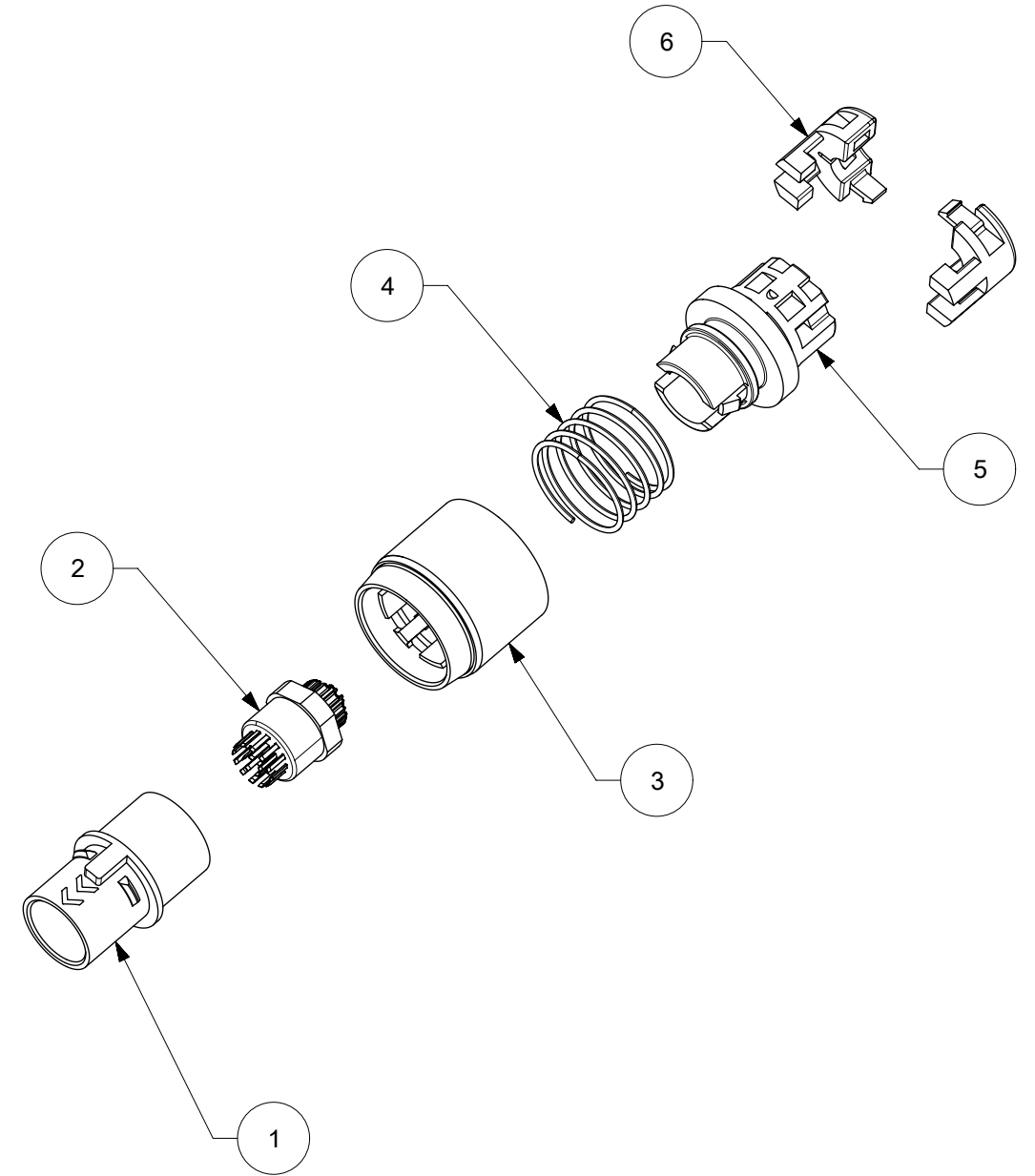
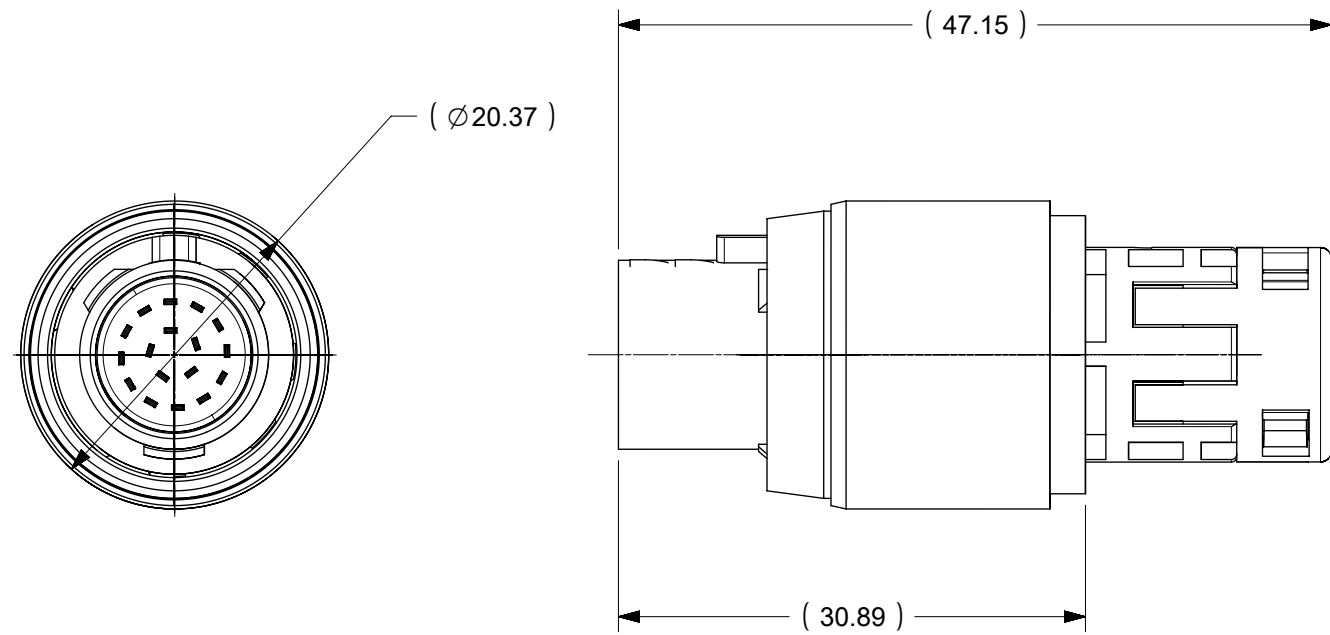


ITEM NUMBER	P/N	DESCRIPTION	QTY	SPQ
1	1723554001	MPC D2 MALE HOUSING	1	10
2	1723542000	MPC D2 MALE 17 CIRCUIT RETAINER ASSEMBLY	1	10
3	1723585000	MPC D2 MALE LOCK SLEEVE ASSEMBLY	1	10
4	1723521000	MPC D2 MALE LOCK SPRING	1	10
5	1723563000	MPC D2 MALE LOCK HOUSING	1	10
6	1723513000	MPC D2 STRAIN RELIEF	2	20



NOTES:

1. KIT TO BE PACKAGED PER SPEC PK-70873-3345
2. MATERIAL, MEDICAL GRADE PPSU; COLOR, BLACK
3. MATES WITH KIT P/N 202110-1710 OR 202111-1710.
4. FOR OVERMOLDING DIMENSIONS AND SPEC SEE APPLICATION SPEC AS-.

THIS DRAWING CONTAINS INFORMATION THAT IS PROPRIETARY TO MOLEX ELECTRONIC TECHNOLOGIES, LLC AND SHOULD NOT BE USED WITHOUT WRITTEN PERMISSION

EC NO: 114244 DRWN: JJONIAK CHKD: APPR: BPISZCZOR	2017/03/07	GENERAL TOLERANCES (UNLESS SPECIFIED)	DIMENSION UNITS	SCALE	molex MPC D2 MALE ASSEMBLY W/ LOCK 17CKT			
	2017/03/14		MM	2:1				
			ANGULAR TOL \pm	DRWN BY		DATE		
			4 PLACES \pm	JJONIAK		2016/07/11		
		3 PLACES \pm	CHK'D BY	DATE	PRODUCT CUSTOMER DRAWING			
		2 PLACES \pm	APPR BY	DATE				
		1 PLACE \pm	BPISZCZOR	2016/10/21				
		0 PLACES \pm	DRAWING SIZE	THIRD ANGLE PROJECTION				
		DRAFT WHERE APPLICABLE MUST REMAIN WITHIN DIMENSIONS	B		SERIES	MATERIAL NUMBER	CUSTOMER	
					202112	2021121710	GENERAL MARKET	
					DOCUMENT NUMBER	DOC TYPE	DOC PART	SHEET NUMBER
					2021121710	PSD	000	1 OF 1