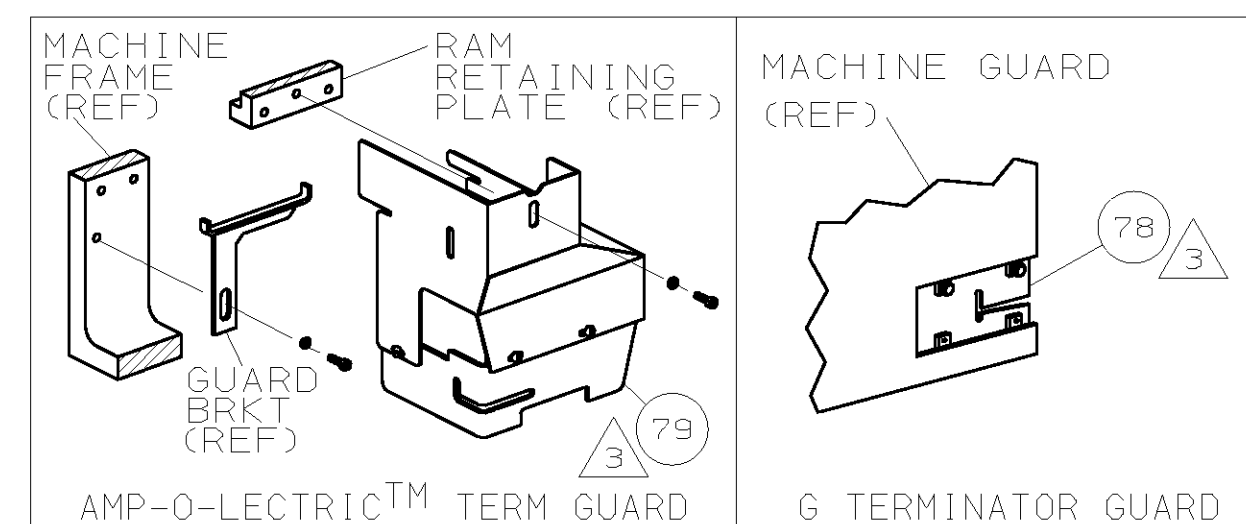
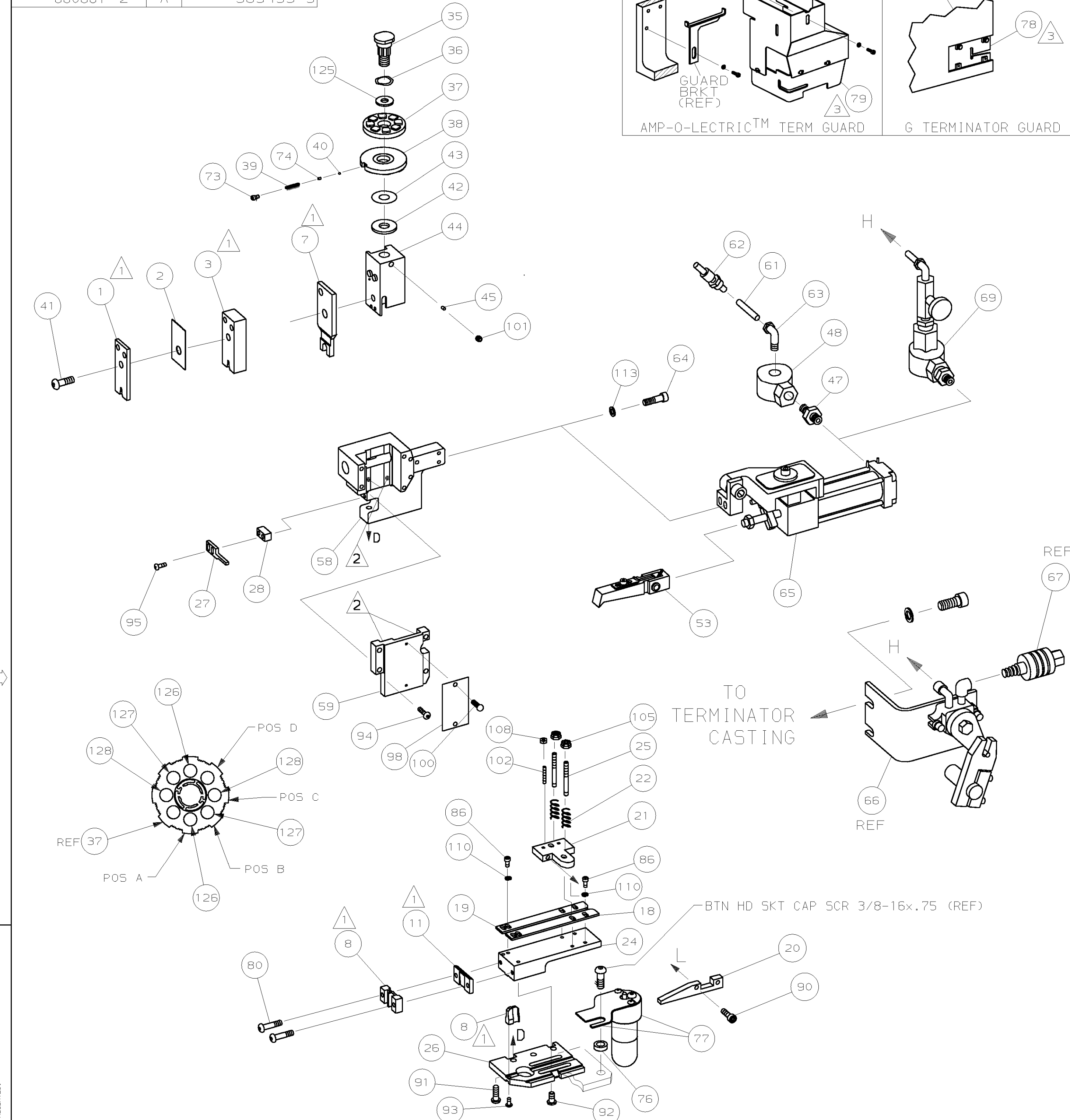


PART NUMBER	REV	FIRST USED
680861-1	A	122500-1
680861-2	A	565435-5



TERMINAL		CRIMP DATA (AMP TERMINAL)				
TERMINAL	PAD LTR	CRIMP HEIGHT	WIRE SIZE			
1217188-1	A	.103 ±.002 [2.62 ±0.05mm]	14			
	B	.096 ±.002 [2.44 ±0.05mm]	16			
	C	.091 ±.002 [2.31 ±0.05mm]	18			
	D	NOT	USED			
CRIMP	SIZE	TYPE	RANGE			
WIRE	.130 [3.30mm]	F	18-14			
INSUL	.160 [4.06mm]	0	6			
WIRE STRIP LENGTH	TERM APPL	SPEC	FEED	APPL INSTRUCTION	SET UP GAGE	LAYOUT
.140-.156	NONE		.500	408-8039	458638-1	L2265

QTY	REV	U/M	DWG SIZE	PART NO	DESCRIPTION	ITEM NO
-1				LEADMAKER & BENCH MODEL G	AIR FEED	
-2				BENCH MODEL K	AIR FEED	
1	-	-	C	692655-5	AIR FEED VALVE ASSY	70
REF	-	-	A	24042-2	VALVE, SHUT OFF	67
REF	-	-	C	692655-6	AIR FEED VALVE ASSY	66
1	1	-	B	460277-1	AIR FEED ASSY (1 INCH)	65
2	2	-	A	3-21000-9	SCR,5HC (10-32x1.00) AIR ASSY	64
-	1	-	A	980285-2	ELBOW, SWIVEL 1/8 NPT - 1/4 T	63
-	1	-	A	23238-1	QUICK DISCONNECT	62
-	12.00	IN	A	27319-4	TUBING, POLY-FLO Ø.25	61
1	1	-	C	454220-1	CAP, RAM	59
1	1	-	D	453736-1	HOUSING	58
						57
						56
						55
						54
1	1	-	B	460680-2	FEED FINGER ASSY	53
						52
						51
						50
						49
-	1	-	A	22374-7	VALVE, QUICK EXHAUST	48
-	1	-	A	22304-1	NIPPLE, HEX 1/8 NPT	47
						46
1	1	-	A	690191-1	PLUG, NYLON	45
1	1	-	C	819307-2	RAM	44
1	1	-	A	690125-1	WASHER, LAMINATED	43
1	1	-	A	690124-4	WASHER, RAM	42
1	1	-	A	7-21002-9	BOLT, CRIMPER (5/16-24x1.00)	41
1	1	-	A	23241-6	BALL, STEEL	40
1	1	-	A	690170-1	SPRING, COMPRESSION	39
1	1	-	C	690142-1	DISC, INSULATION	38
1	1	-	D	354777-1	WIRE DISC, PLASTIC	37
1	1	-	A	22480-5	WASHER, SPRING	36
1	1	-	B	690212-1	POST, RAM	35
						34
						33
						32
						31
						30
						29
1	1	-	B	4-690451-1	SPACER, STRIPPER	28
1	1	-	A	240639-1	STRIPPER	27
1	1	-	D	455676-1	PLATE, BASE	26
2	2	-	A	22354-8	DRAG, STUD	25
1	1	-	B	856076-2	PLATE, STRIP GUIDE	24
						23
2	2	-	A	2-22281-5	SPRING, DRAG	22
1	1	-	A	464451-5	ARM, STOCK DRAG	21
1	1	-	A	1-464452-0	DRAG, STOCK	20
1	1	-	B	1338002-1	GUIDE, STRIP (REAR)	19
1	1	-	C	1338003-1	GUIDE, STRIP (FRONT)	18
						17
						16
						15
						14
						13
						12
1	1	-	B	240833-2	PLATE, REAR SHEAR	11
						10
						9
1	1	-	D	1338005-1	ANVIL	8
1	1	-	B	459722-1	BLADE, SLUG	7
						6
						5
						4
1	1	-	C	1338004-1	CRIMPER, INSULATION	3
1	1	-	B	455888-6	SPACER, CRIMPER	2
1	1	-	C	1-456410-4	CRIMPER, WIRE	1



- 1 RECOMMENDED SPARE PARTS.
- 2 GREASE LIGHTLY.
- 3 GUARD MUST BE IN PLACE WHEN OPERATING APPLICATOR IN A BENCH MACHINE.
- 4 SEE DRAWING FOR COMPONENTS
- 5 ITEM 78 USED WITH G TERMINATOR ONLY.
- 6 WIRE INSULATION WILL NOT BE INSERTED INTO INSULATION BARREL BUT THE BARREL SHOULD BE CRIMPED TO A CRIMP HEIGHT OF .108 MAX AT LARGEST CRIMP HEIGHT SETTING. (PAD "A"=.103)

QTY	REV	U/M	DWG SIZE	PART NO	DESCRIPTION	ITEM NO
2	2	-	C	5-354778-9	PIN, WIRE DISC (.2790)C	129
2	2	-	C	4-354778-2	PIN, WIRE DISC (.2705)B	128
2	2	-	C	1-354778-5	PIN, WIRE DISC (.2570)A	127
1	1	-	A	986950-1	WASHER, FLAT PRECISION	125
1	1	-	A	217238-1	GENERAL INSTRUCTION PACKAGE	124
1	1	-	-	4088039	EF APPL INST 408-8039	123
						122
						121
						120
						119
						118
						117
						116
						115
						114
2	2	-	A	21024-5	WASHER, LOCK (#10) AIR ASSY	113
						112
4	4	-	A	21024-4	WASHER, LOCK (NO.8) SHEAR BL	110
						109
2	2	-	A	21018-4	NUT, HEX (4-40) DRAG	108
						107
						106
2	2	-	A	21022-2	NUT, HEX SL (8-32) DRAG STUD	105
						104
						103
2	2	-	A	4-21078-8	SCR, SKT SET (4-40x.75) DRAG	102
1	1	-	A	21009-2	SCR, SKT SET (1/4-20x.25 ) RAM	101
2	2	-	A	21017-2	SCR, DRIVE (#2x.19) ID PLATE	100
						99
1	1	-	B	461264-1	PLATE, IDENTIFICATION	98
						97
						96
						95
4	4	-	A	2-21002-9	SCR, BHC (10-32x.75) CAP	94
1	1	-	A	22733-8	SCR, BHC (8-32x.38 LW) ANVIL	93
4	4	-	A	3-21002-3	SCR, BHC (1/4-20x.50) ST 6D PL	92
3	3	-	A	2-22733-8	SCR, BHC (1/4-20x.62) H5G	91
						90
						89
						88
						87
4	4	-	A	2-21000-6	SCR, 5HC (8-32x.38) STRIP GUIDE	86
						85
						84
						83
						82
						81
2	2	-	A	3-21002-1	SCR, BHC (10-32x1.00) SHEAR PL	80
1	-	-	A	455750-8	GUARD ASSY	79
-	REF	-	A	679532-1	INSERT, GUARD	78
1	-	-	C	465184-9	LUBRICATOR ASSY	77
1	-	-	A	454406-1	SPACER, LUB BRACKET	76
						75
1	1	-	A	690603-1	SPRING, ASSIST	74
1	1	-	A	23030-1	SCR, SKT CAP (6-32x.25) CP DSC	73
						72
						71

QTY	REV	U/M	DWG SIZE	PART NO	DESCRIPTION	ITEM NO
-2	-1					

LOC A  
DIST 66

QTY	REV	U/M	DWG SIZE	PART NO	DESCRIPTION	ITEM NO
-2	-1					