

ZONE		REV.	SCR NUMBER	DESCRIPTION	BY	DATE	APPROVED
A		DDYR	A3AQZF.VER01	NEW RELEASE		10/15/2015	DC
B		TBEE	A5UUQC.VER01	UPDATED THE DESCRIPTION FOR ITEM #1 IN TABLE 2	HCL	02/25/2016	T.BERTHIAUME
C		DDYR	A8PJSJ.VER02	ADDED 2M ASSY TO TABLE 1	HCL	04/12/2016	D.DYER

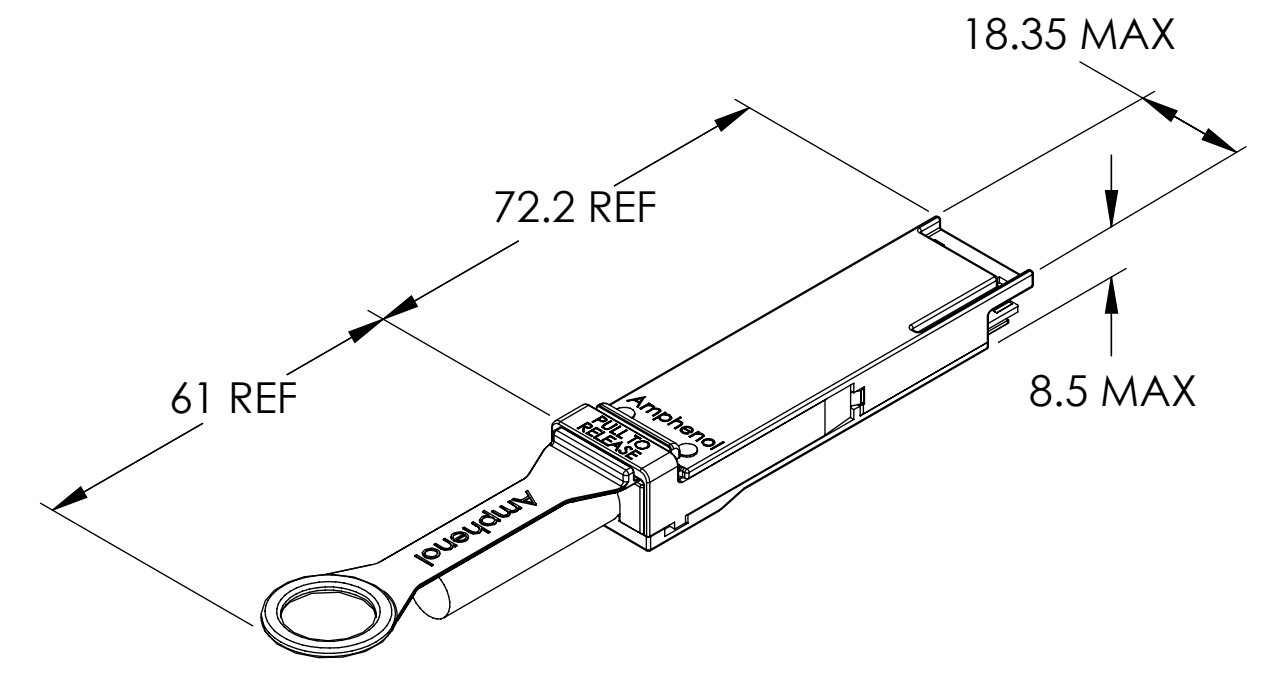
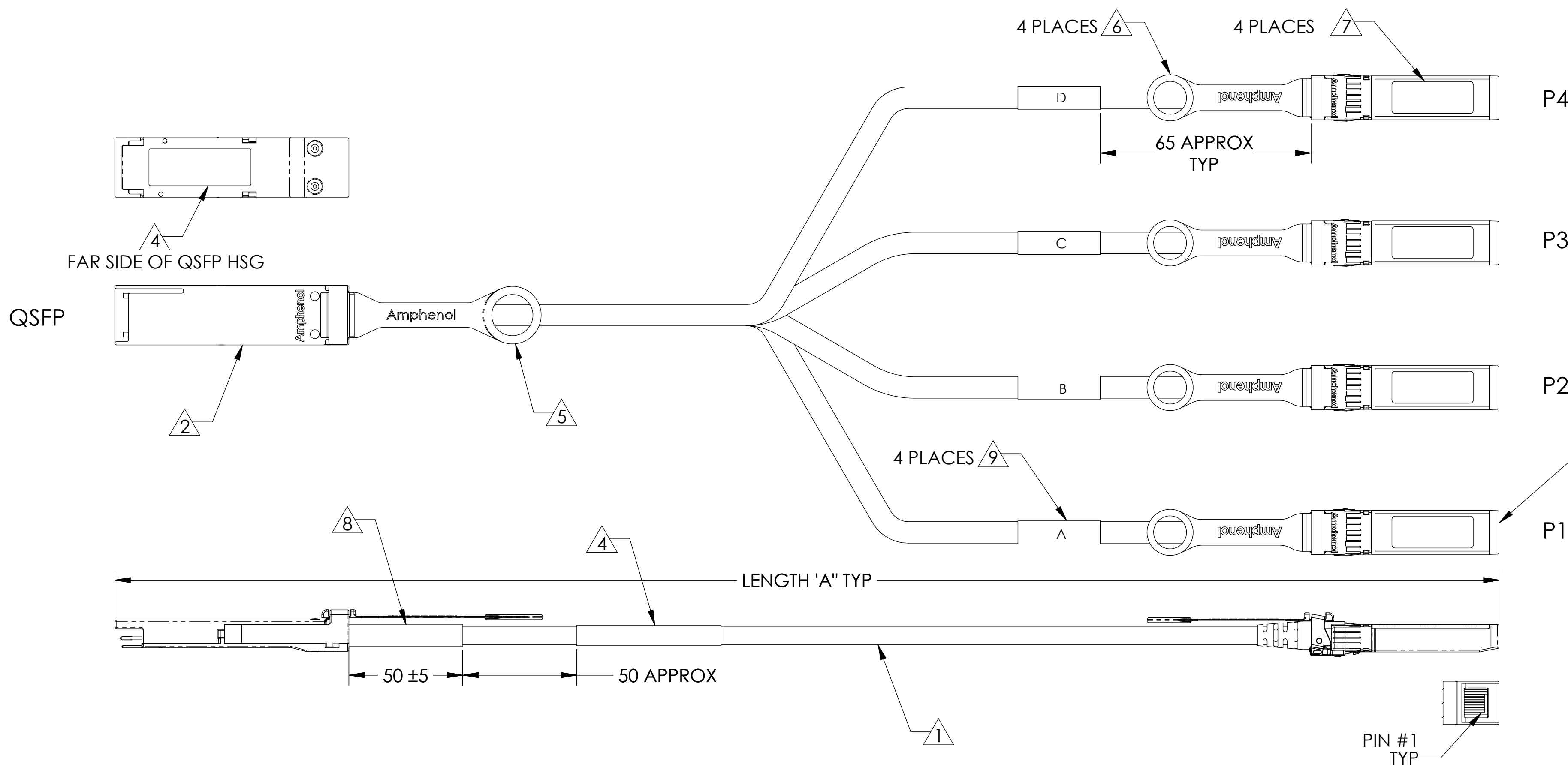
TABLE 1		
AHSP P/N	LENGTH "A"	CUSTOMER P/N
NDAQJ-C102	5000 ±125 MM	SF-NDAQJ100G-005M
NDAQJ-C103	2000 ±75 MM	SF-NDAQJ100G-002M

D

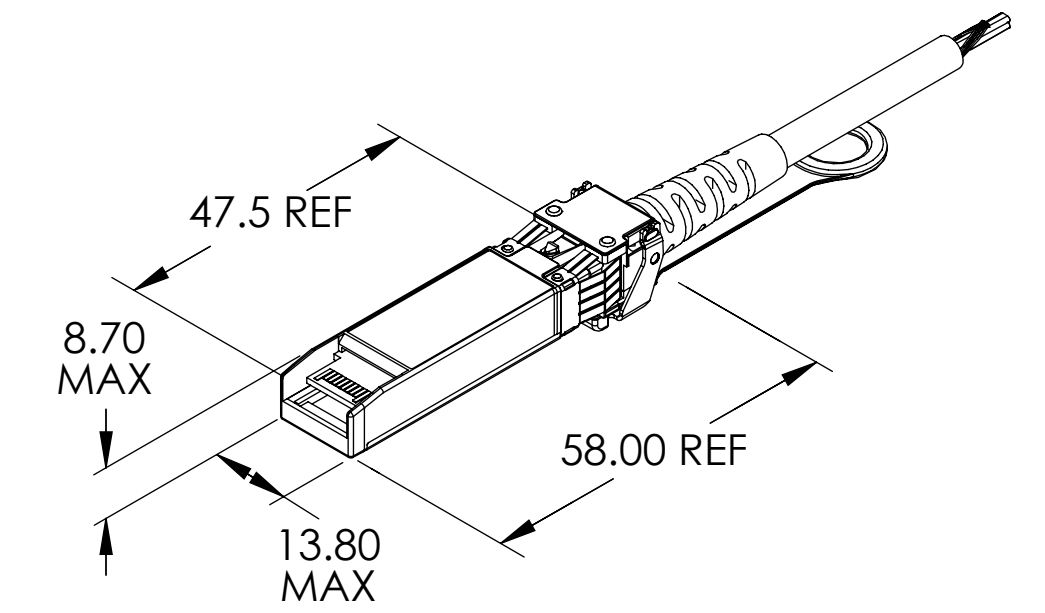
C

B

A

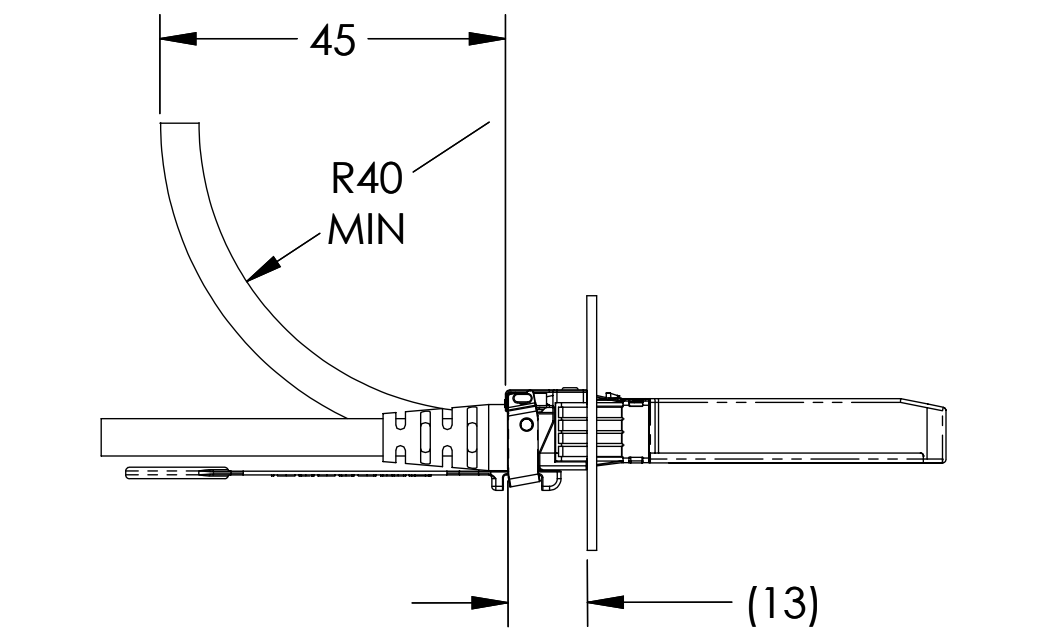
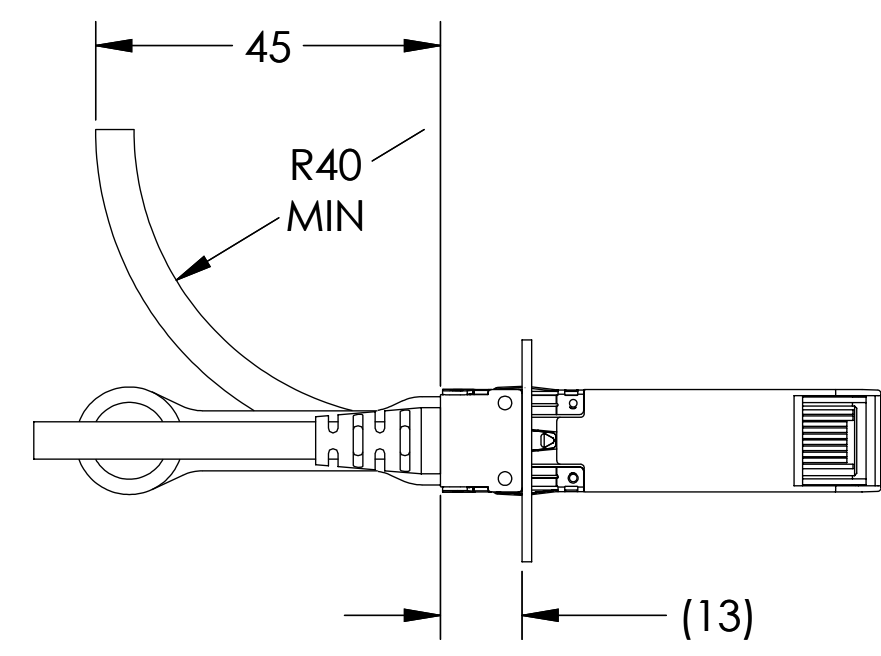


QSFP DIECAST DIMENSIONS

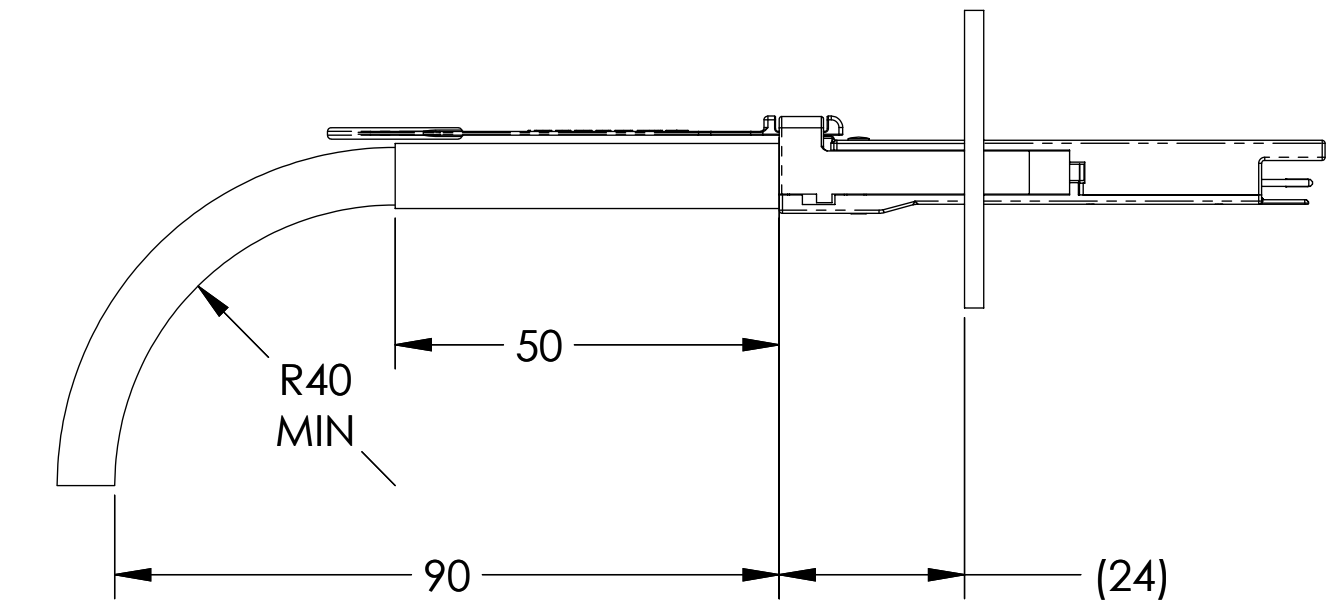
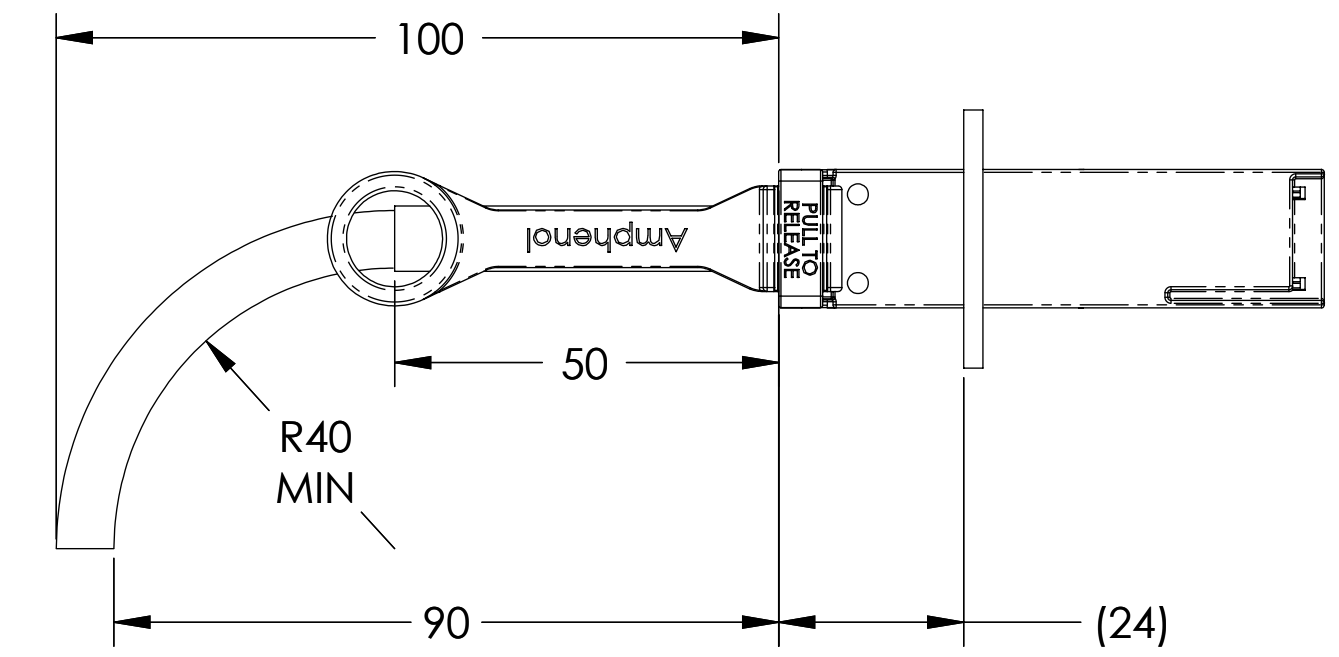


SFP+ DIECAST DIMENSIONS

TABLE 2	
ITEM No.	DESCRIPTION
1	26 AWG, 2-PR, PVC BLACK, UL 75°C CM OR AWM STYLE 20276 80°C
2	PLUG, QSFP+, REFERENCE SFF-8661
3	PLUG, SFP+, REFERENCE SFF-8432, PULL TO RELEASE
4	LABEL, QSFP CONN - AHSP P/N, REV, DATE CODE, LENGTH, CoO & SERIAL NUMBER
5	QSFP LANYARD - GREEN (PANTONE 347C)
6	SFP+ LANYARD - GREEN (PANTONE 347C)
7	LABEL, SFP CONN - AHSP P/N, REV, DATE CODE, LENGTH, CoO & SERIAL NUMBER
8	SHRINK TUBING
9	LABEL, REFERENCE DESIGNATOR



SFP+ BEND DISTANCE FROM FACEPLATE



QSFP BEND DISTANCE FROM FACEPLATE

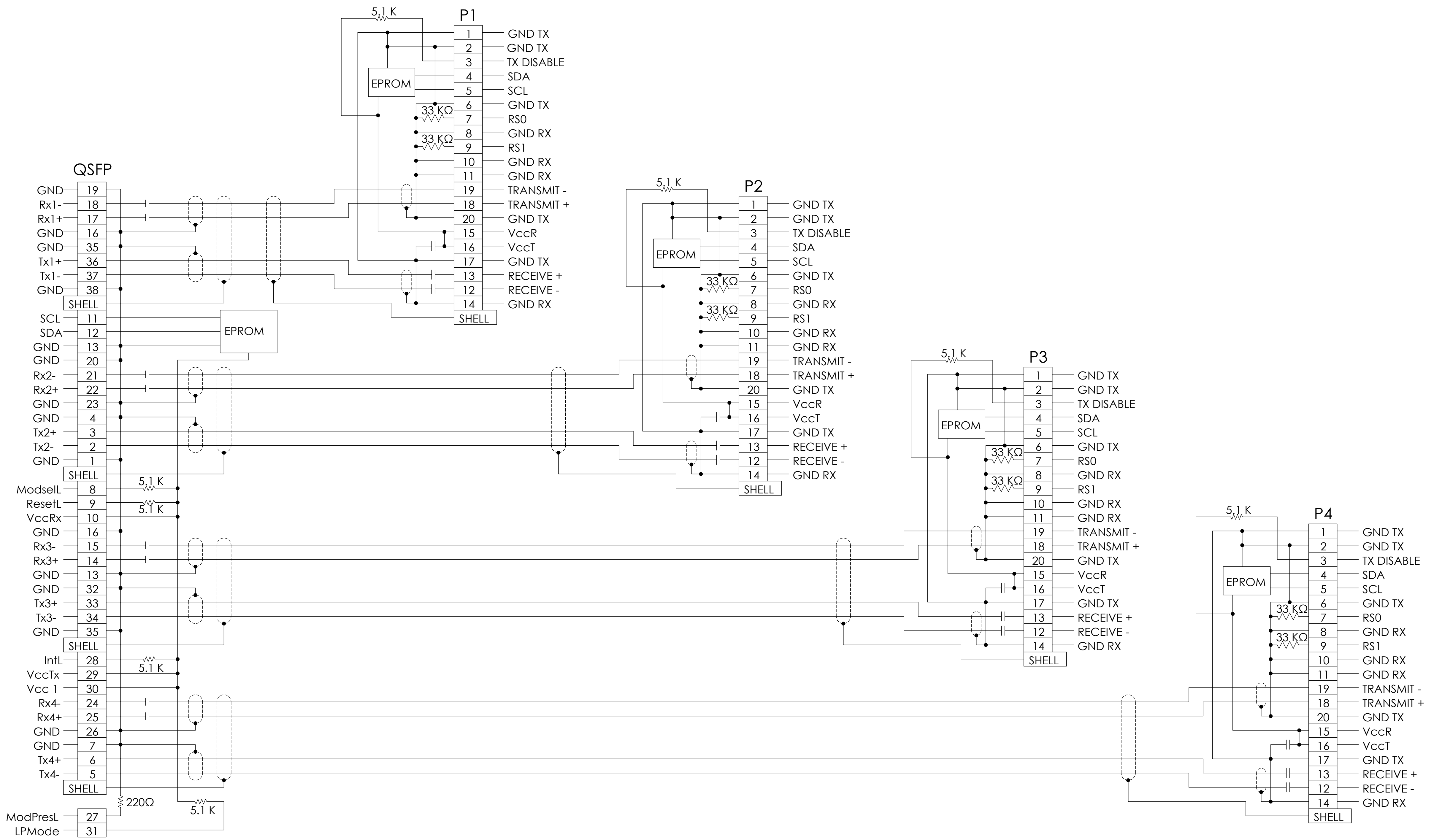
9. CABLE ASSEMBLIES SHALL BE TESTED PER AMPHENOL SPECIFICATIONS AND PROCEDURES.
 8. CABLE ASSEMBLIES, COMPONENTS, SUB-COMPONENTS, MATERIALS AND MFG PROCESSES MUST MEET AMPHENOL SPECIFICATIONS.
 7. UL LABEL MUST BE ON THE SHIPPING CARTON PER SUBJECT 764 OF THE UL COMPONENT WIRING HARNESS (ZPFW2) FILE #E86140. CSA LABEL MUST BE ON SHIPPING CARTON.
 6. PACKAGE COMPLETED ASSY IN AN APPROPRIATELY SIZED ESD BAG.
 5. EPROM CONTENT SHALL BE COMPLIANT WITH SFF-8636 AND SFF-8472 SPECIFICATIONS FOR 100GBASE-CR4. EPROM REVISION IS EQUAL TO AHSP PART NUMBER REVISION.
 4. CABLE ASSEMBLIES MUST MEET SHIELDING EFFECTIVENESS REQUIREMENTS OF 35dB FROM 1-10GHz AND 30dB FROM 10-18GHz.
 3. COMPLIANT TO EU DIRECTIVE 2011/65/EU - RoHS2.
 2. ASSEMBLIES SHALL BE COMPLIANT TO 100GBASE-CR4 SPECIFICATION.
 1. THIS DRAWING IS RESERVED FOR AMPHENOL CABLES ON DEMAND.
- NOTES: UNLESS OTHERWISE SPECIFIED



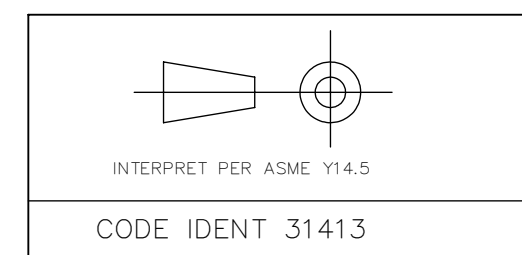
INTERPRET PER ASME Y14.5
CODE IDENT 31413

TOLERANCES		DWN	10/12/2015	DC
0.0	± 0.25	CHK	10/12/2015	DD
0.00	± 0.08	APVD	10/12/2015	EM
ANGLES		± 1.0°		
UNLESS OTHERWISE SPECIFIED DIMENSIONS ARE IN MM				
Amphenol AHSP A Division of Amphenol Corporation 200 Innovative Way, Suite 201, Nashua, N.H. 03062 (603) 879-3000				TITLE CABLE ASSEMBLY, QSFP/(4)SFP+, PSV, 100Q, 100GbE, 26AWG
PART NO.				REV
SEE TABLE 1				N/A
DRAWING NO.				REV
C-NDAQJ-C199				C
SIZE	D	SCALE	1:1	SHEET 1 OF 2

REVISIONS						
ZONE	REV.	SCR NUMBER	DESCRIPTION	BY	DATE	APPROVED
			SEE SHEET 1			



NOTE: DC BLOCKING CAP VALUE IS 0.1μF



CODE IDENT 31413

CUSTOMER USE
DRAWING

TOLERANCES	DWN	10/12/2015	DC	Amphenol AHSP A Division of Amphenol Corporation 200 Innovative Way, Suite 201, Nashua, N.H. 03062 (603) 879-3000
0.0	± 0.25	CHK	10/12/2015	
0.00	± 0.08	DD		
		APVD	10/12/2015	
ANGLES	± 1.0°	EM		TITLE CABLE ASSEMBLY, QSFP/(4)SFP+, PSV, 100Ω, 100GbE, 26AWG
UNLESS OTHERWISE SPECIFIED DIMENSIONS ARE IN MM				PART NO. SEE TABLE 1
				REV N/A
				DRAWING NO. C-NDAQGJ-C199
				REV C
SIZE	D	SCALE	1:1	SHEET 2 OF 2