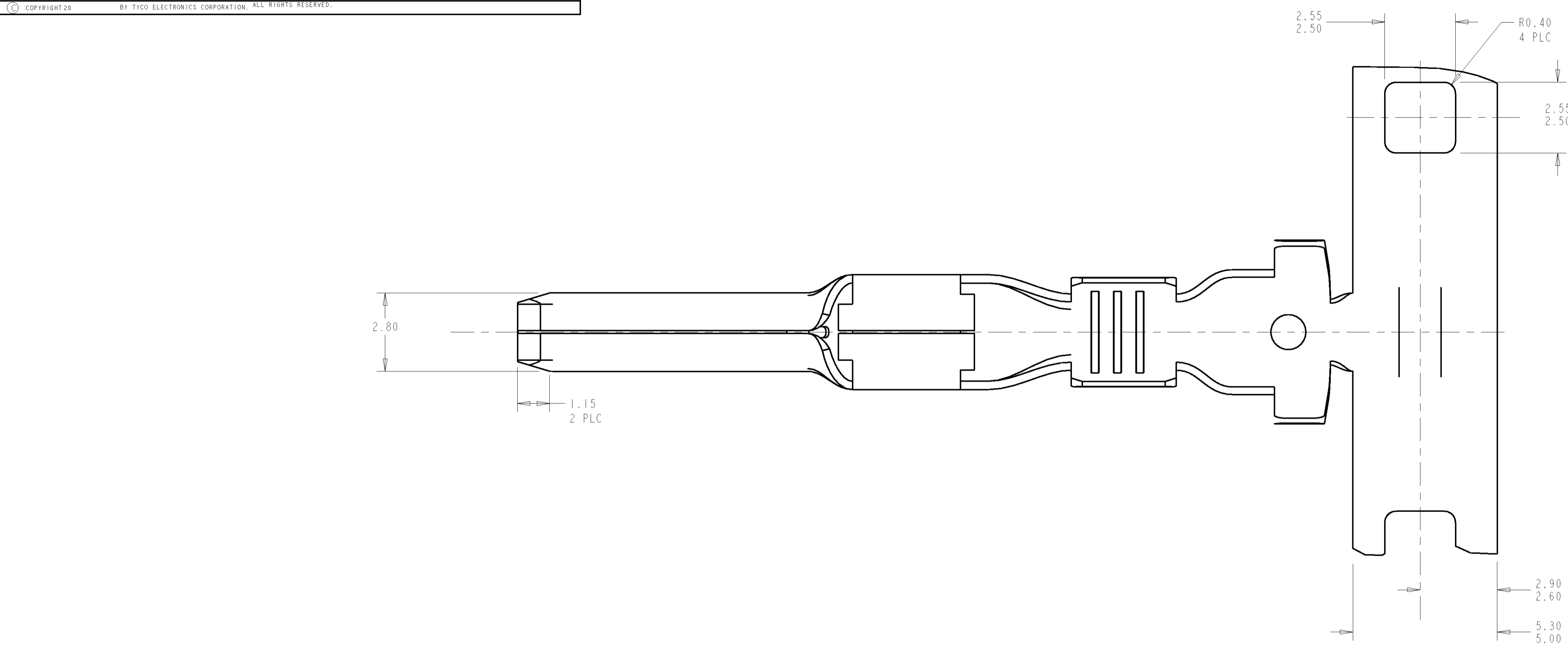
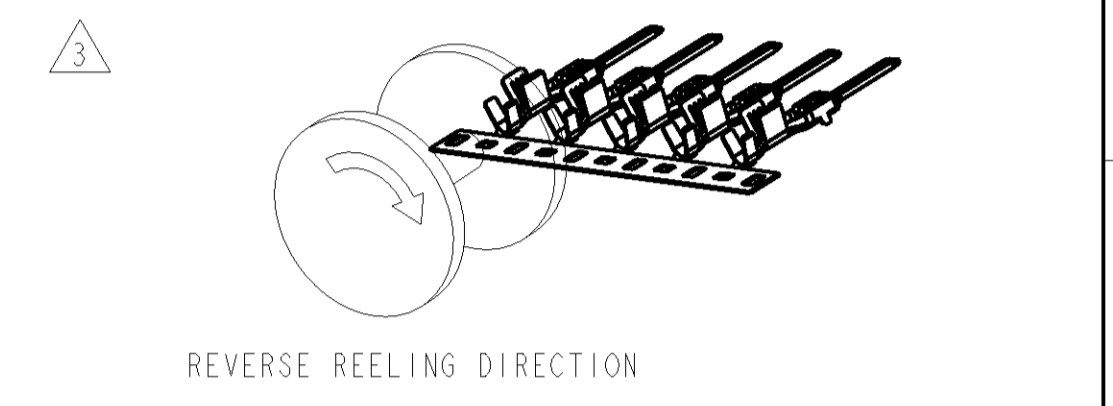
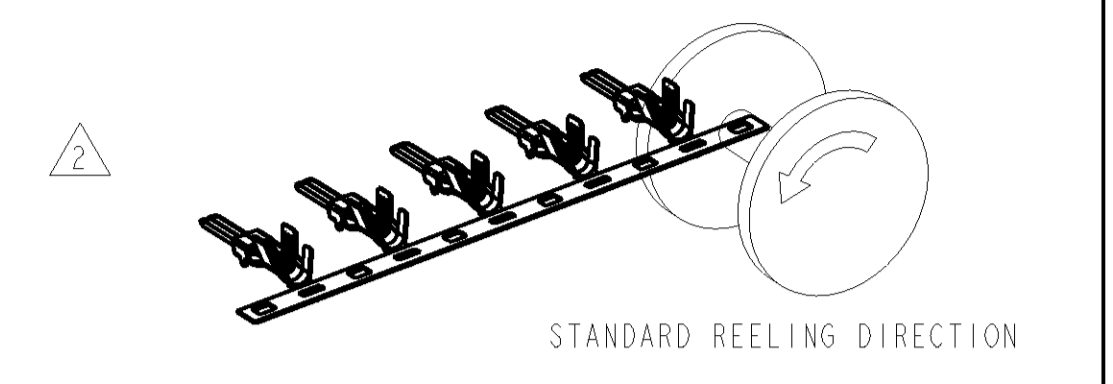


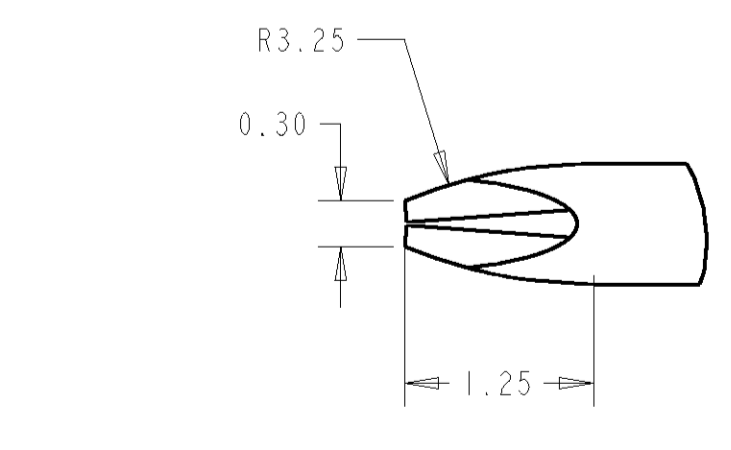
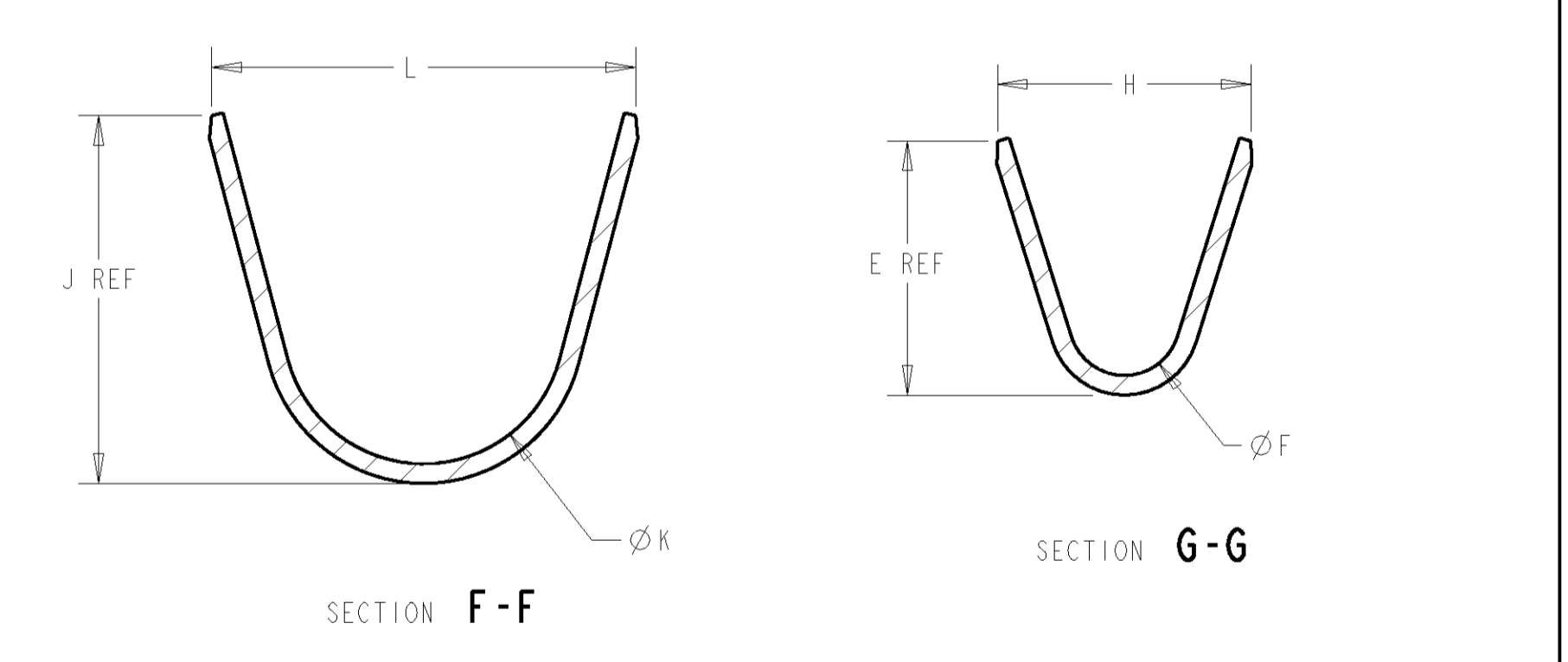
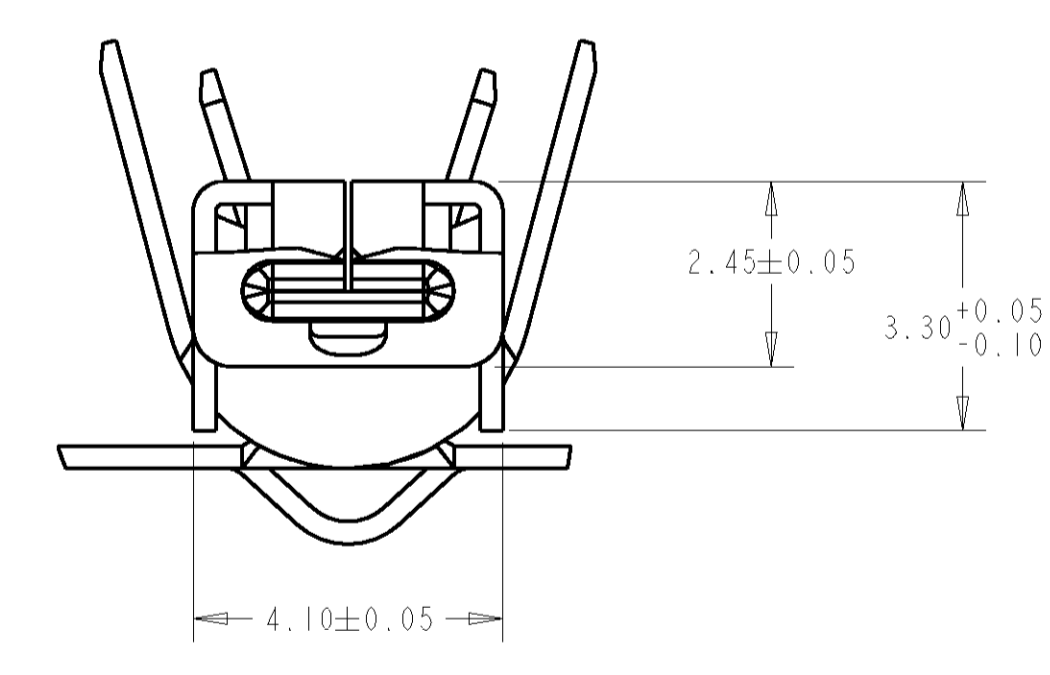
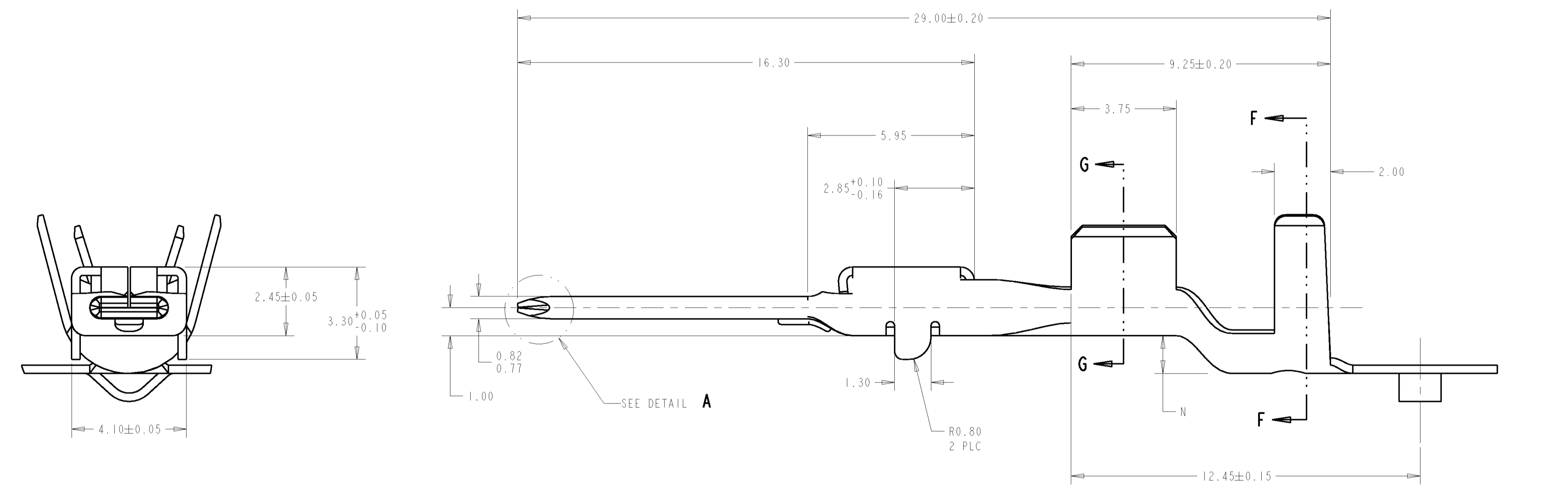
LOC	QTY	REV	DESCRIPTION	DATE	DWN	APVD
GE	00					
D			REVISED PER EC OK40-0405-02	17APR2002	AH	TW
D1			REVISED PER EC OK40-0248-03	02SEP2003	AH	TW
E			REVISED PER OK40-0074-04	23MAR2004	AG	TW
F			REVISED PER ECR 05-003800	17NOV2005	DLD	JLT



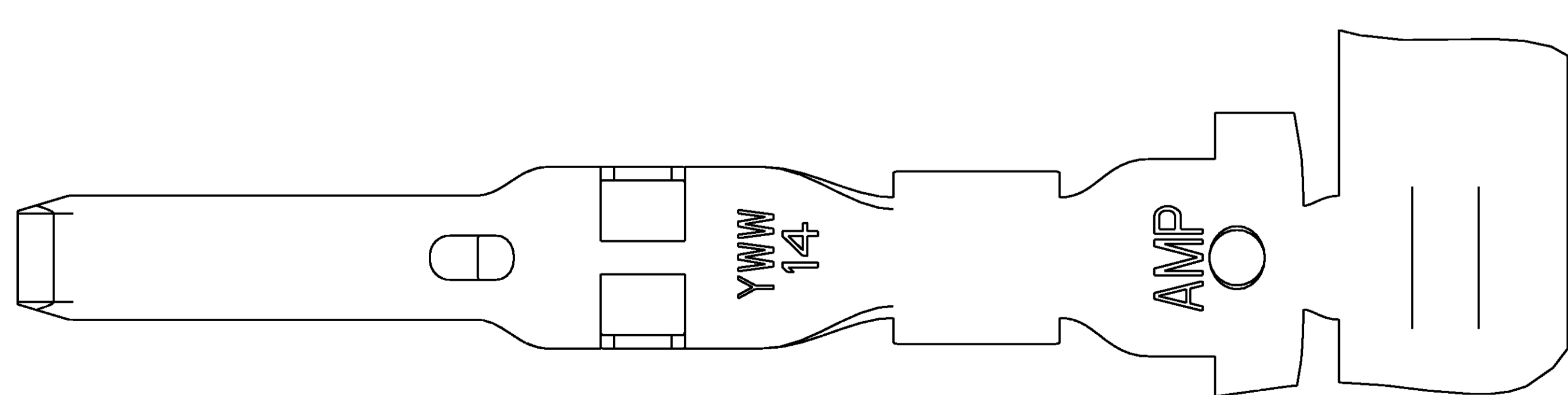
△ MATERIAL: 0.30 THICK COPPER ALLOY, PREPLATED WITH 0.0008 MINIMUM THICK MATTE TIN (ELV COMPLIANT).



4. QUALIFICATION OF THE CRIMP APPLICATION TOOLING SHALL BE CONTROLLED BY THE REQUIREMENTS ESTABLISHED UNDER USCAR 21.
5. LOOSE END SPLICING TO BE USED.



DETAIL A
SCALE 20:1



REELING	N	L	ØK	J	H	ØF	E	WIRE SIZE	PART NO.
△ 3	1.35	6.8	4.30	5.89	4.7	2.7	5.25	12 AWG	I-1326031-2
△ 2								12 AWG	I-1326031-1
								14 AWG	I-1326031-0
△ 3								16 AWG	I-1326031-9
								18 AWG	I-1326031-8
								20 AWG	I-1326031-7
								22 AWG	I-1326031-6
△ 2	1.35	6.5	4.30	5.62	3.9	1.70	3.88	14 AWG	I-1326031-5
	1.10	5.6	3.80	4.54	3.9	1.70	3.88	16 AWG	I-1326031-4
	1.10	5.6	3.80	4.54	3.3	1.30	2.76	18 AWG	I-1326031-3
	0.90	5.0	3.40	4.11	3.3	1.30	2.76	20 AWG	I-1326031-2
	0.90	5.0	3.40	4.11	2.5	0.90	2.11	22 AWG	I-1326031-1

AMP 4895 REV 31MAR2006

AMP logo: Tyco Electronics, Harrisburg, PA 17105-3608

2.8mm BLADE, SEALED

SAE/USCAR-2 8/97

114-13013

00779 ©=1326031

SCALE 10:1 SHEET 1 OF 1 REV F