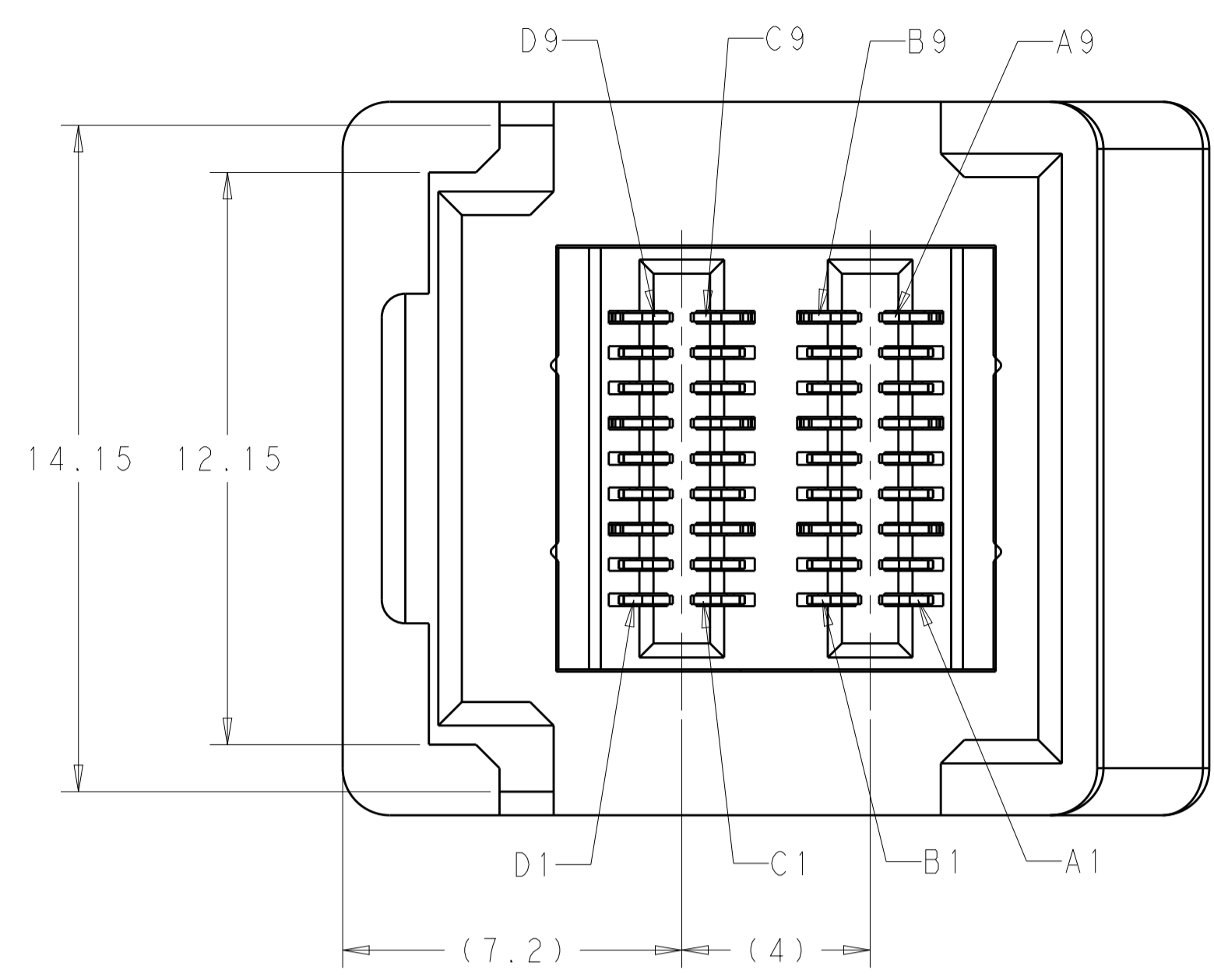
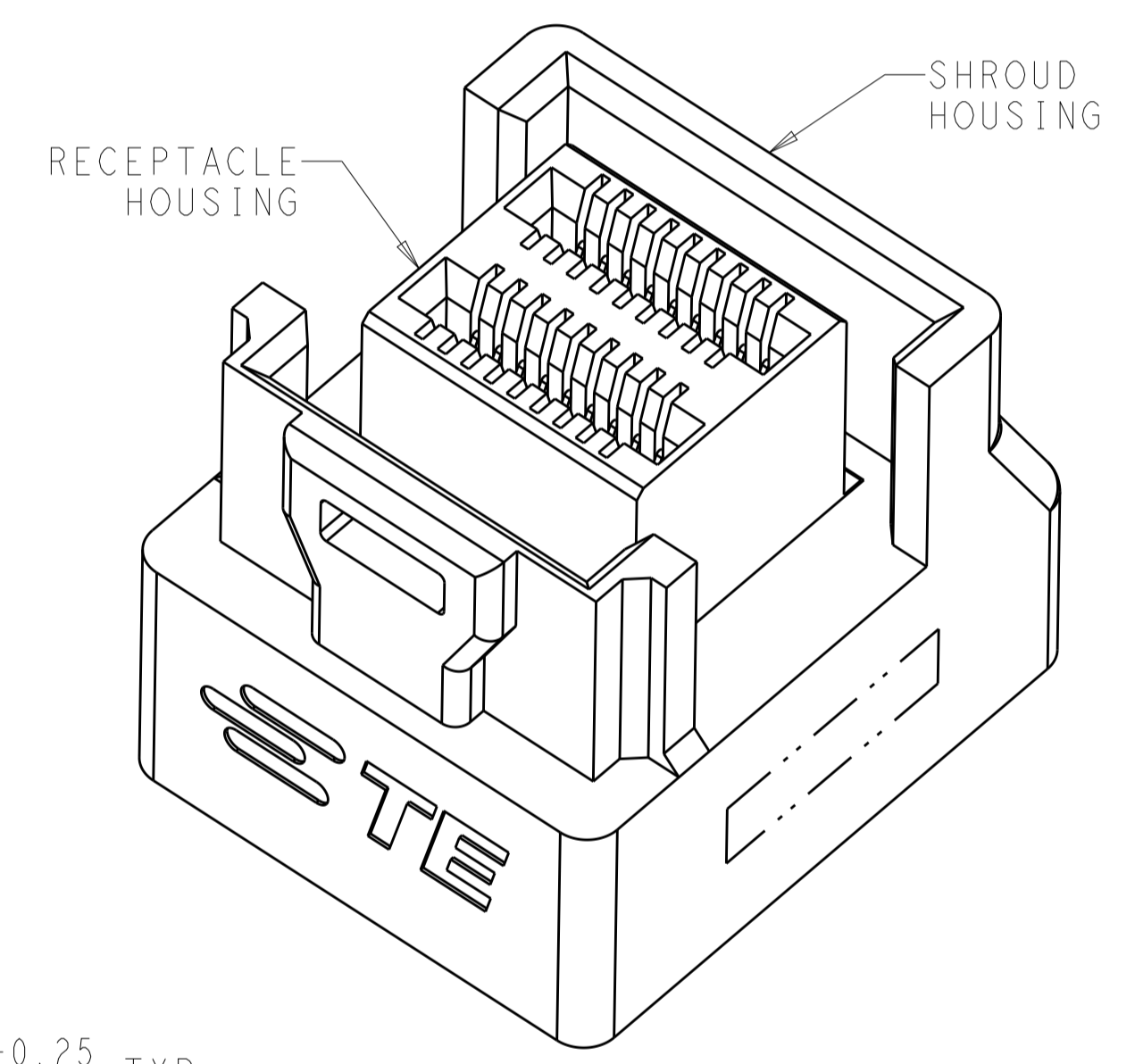
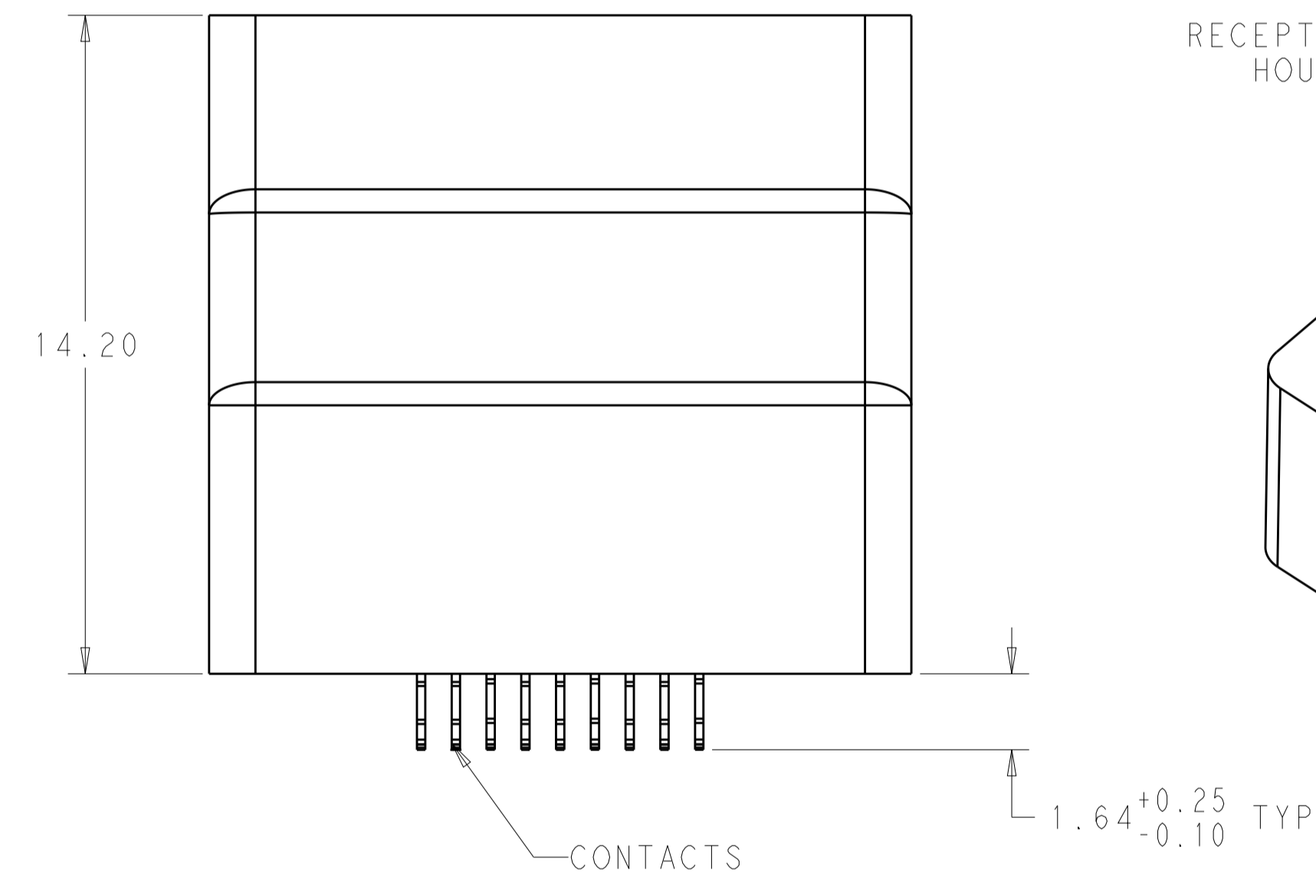
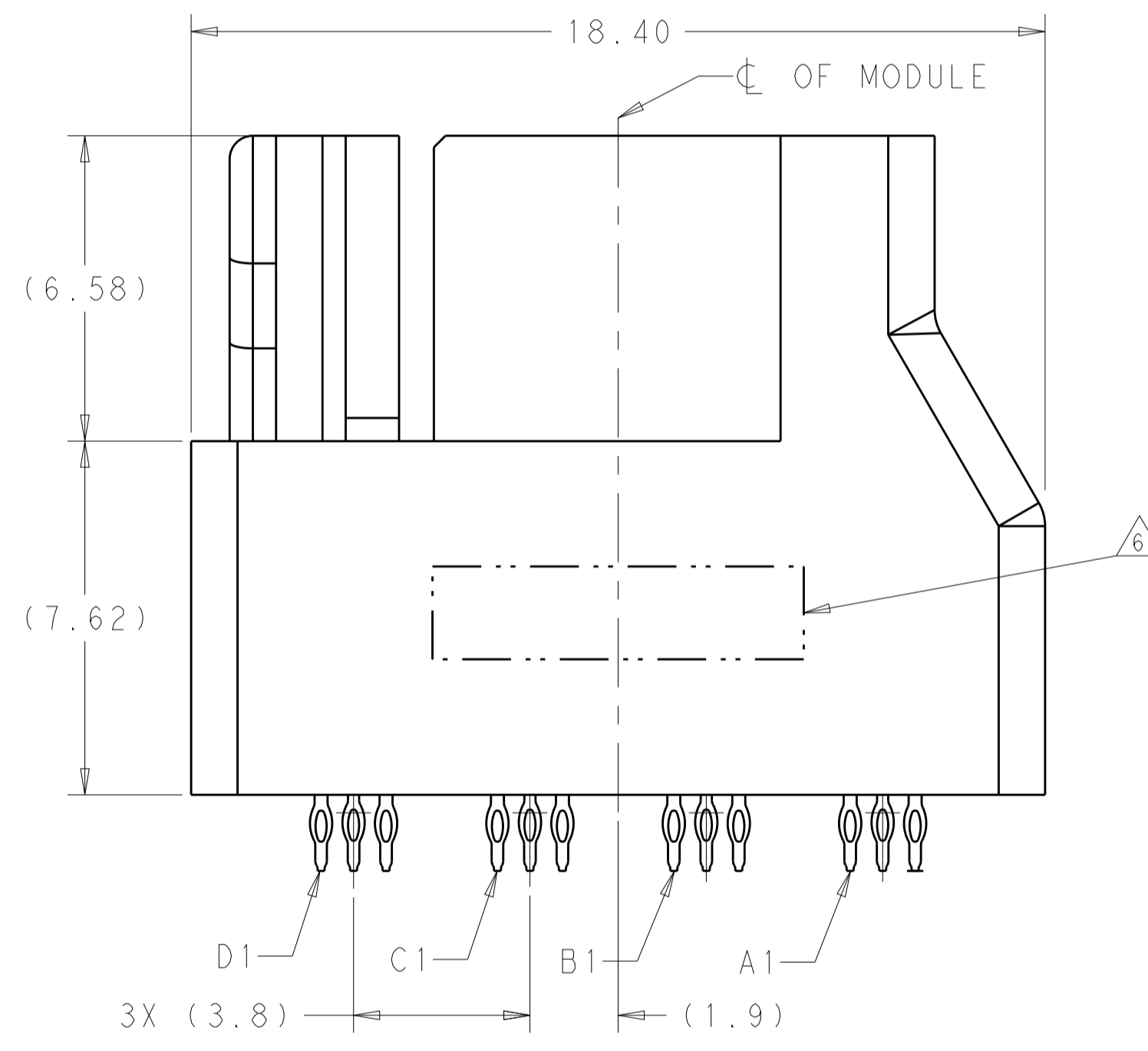
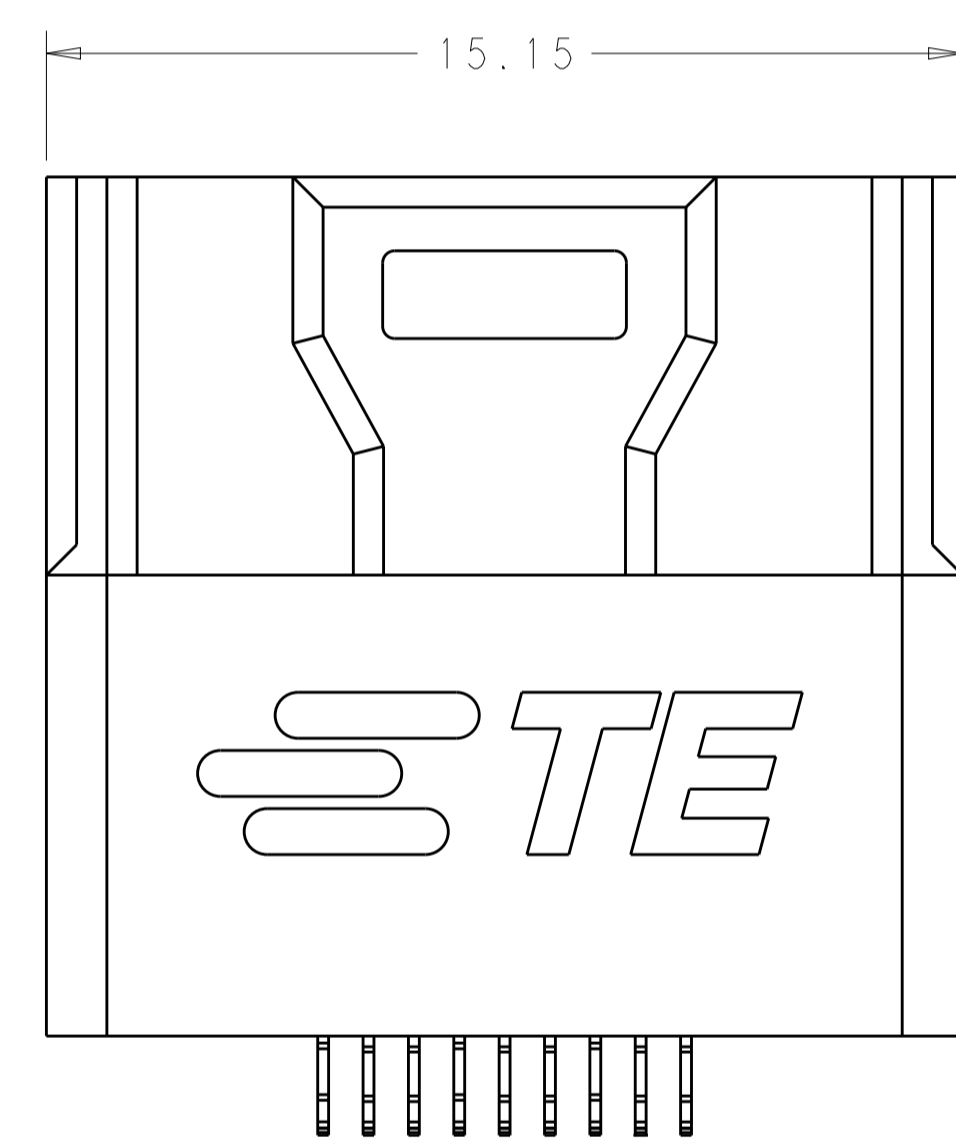


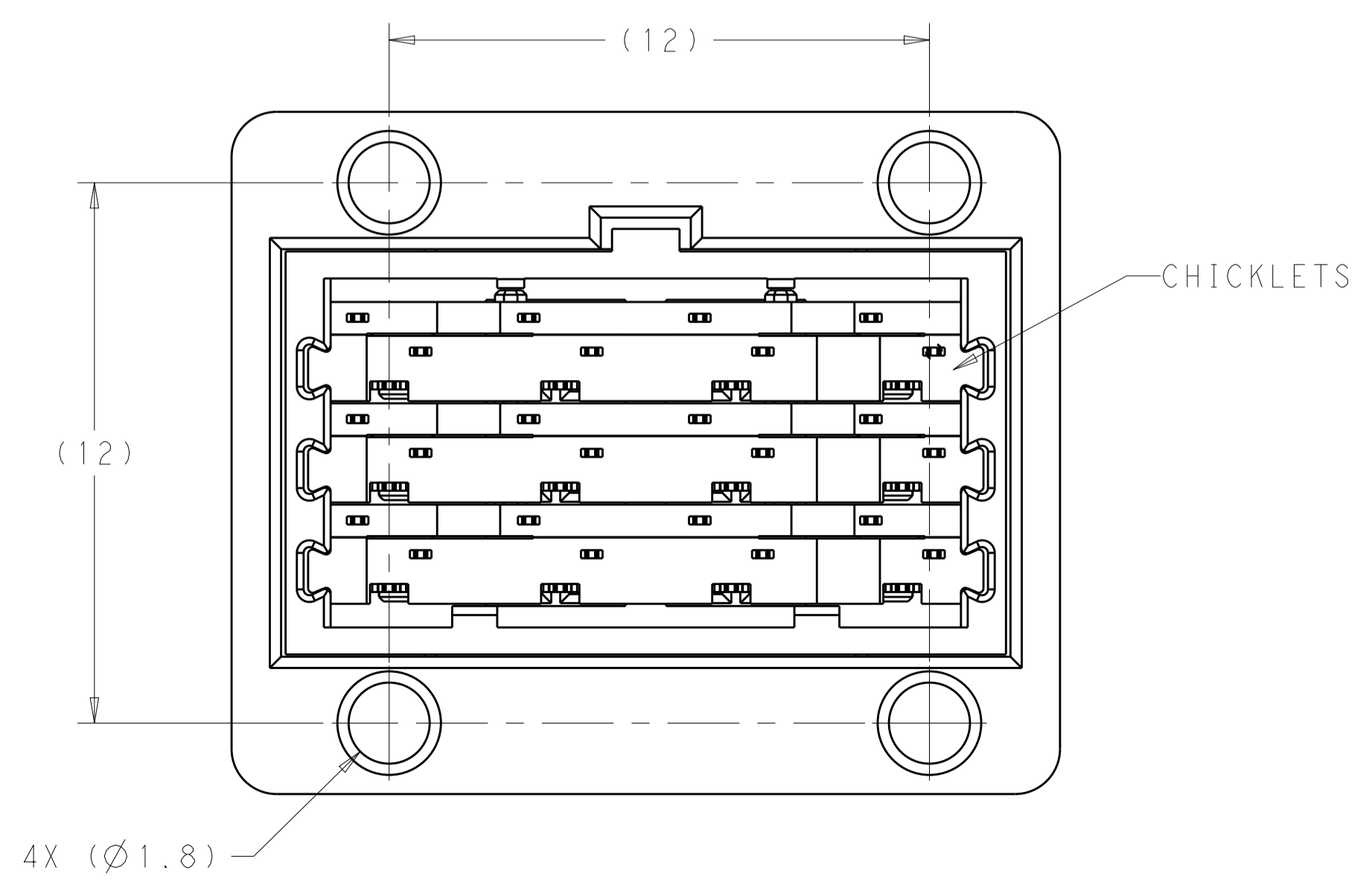
| LOC | DIST | REVISIONS | | | |
|-----|------|-------------|---------------------------|-----------|-------|
| P | LTN | DESCRIPTION | DATE | DWN | APVD |
| GP | 00 | A | REVISED PER ECO-15-000199 | 13JAN2015 | AP DG |



- ⚠ HOUSINGS AND CHICKLETS: LCP, BLACK, UL94V-0 RATED. CONTACTS: COPPER ALLOY.
- ⚠ CONFORMS TO THE REQUIREMENTS OF TE PRODUCT SPECIFICATION, 108-32038 BASED ON EIA/ECA-364-1000.01A (CONTROLLED ENVIRONMENT APPLICATIONS) ON MATING END. TIN PLATED ON PCB TAIL.
- 3. MATES WITH TE PLUG 2227603-1.
- 4. MOUNTING HARDWARE M2x1.35 SELF-THREADING SCREW. SCREW LENGTH OF FASTENER = PCB THICKNESS + 3.0mm MAX (1.75mm MIN) MOUNTING HARDWARE NOT INCLUDED.
- ⚠ RECOMMENDED COMPONENT KEEP OUT ZONE.
- ⚠ PART NUMBER AND DATE CODE MARKED IN APPROXIMATE AREA SHOWN.



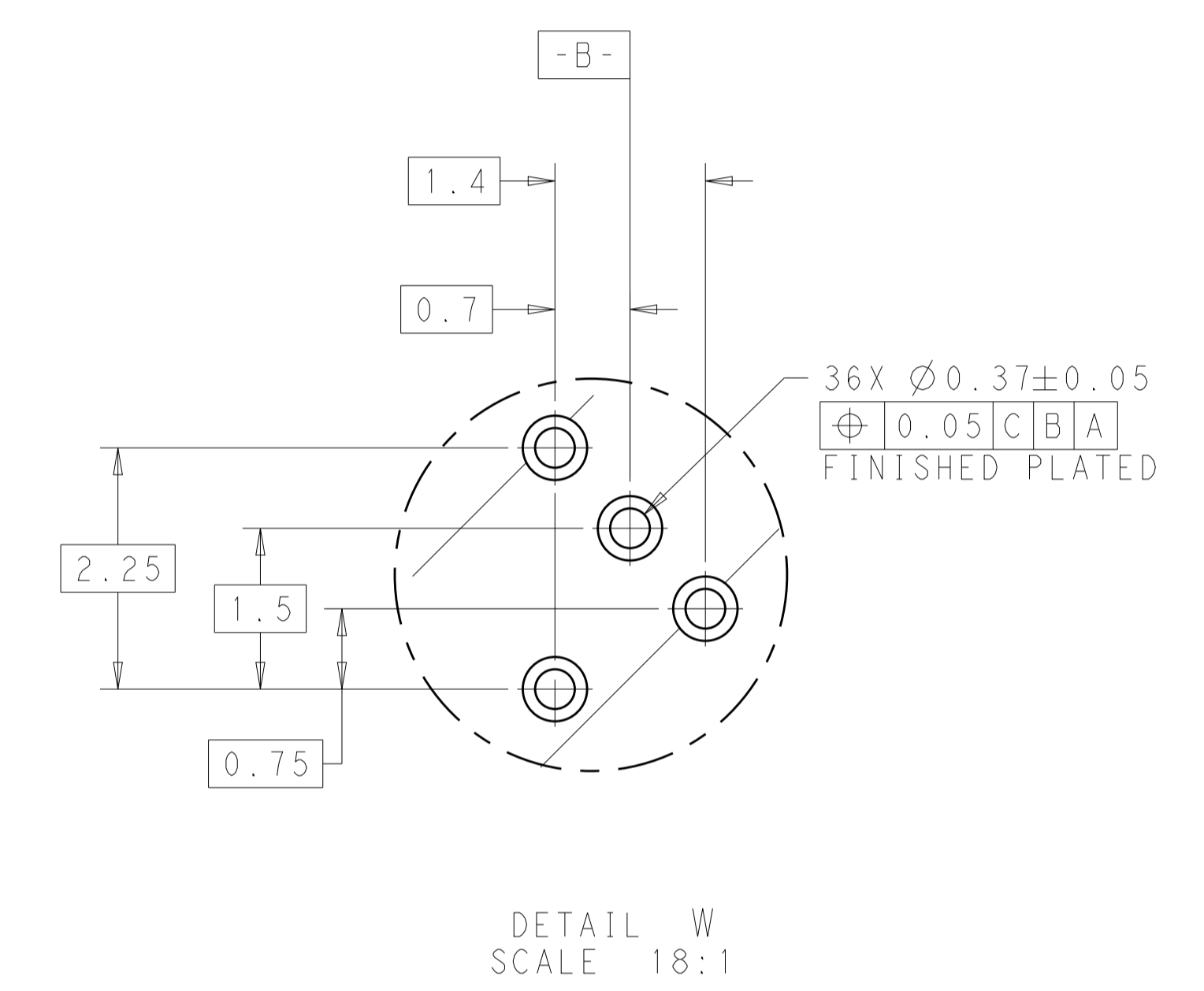
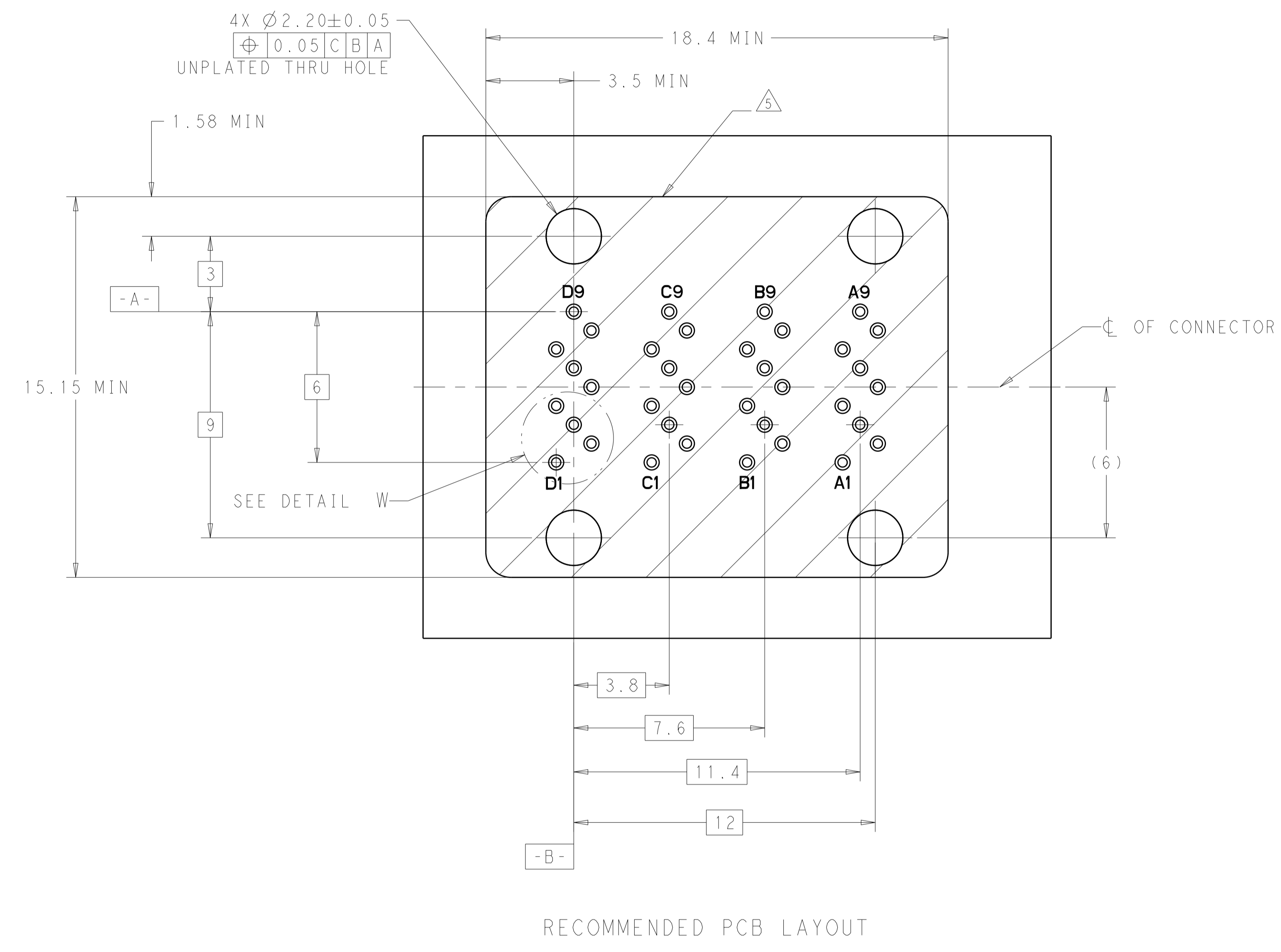
SCALE 6:1



2227595-1
PART NUMBER

| | | | |
|--|-------|------------------------|--|
| THIS DRAWING IS A CONTROLLED DOCUMENT. | | DWN: R. TREA 11DEC2012 | TE Connectivity |
| DIMENSIONS: mm | | CHK: R. HENRY | |
| TOLERANCES UNLESS OTHERWISE SPECIFIED: | | APVD: - | NAME: RECEPTACLE ASSEMBLY, 1X1, VERTICAL, INTERNAL MINI SAS HD |
| 0 PLC | ± | PRODUCT SPEC | SIZE: CAGE CODE DRAWING NO |
| 1 PLC | ±0.13 | 108-32038 | RESTRICTED TO |
| 2 PLC | ± | APPLICATION SPEC | A100779C=2227595 |
| 3 PLC | ± | 114-32101 | SCALE 8:1 SHEET 1 OF 2 REV A |
| 4 PLC | ± | WEIGHT | |
| ANGLES | ± | CUSTOMER DRAWING | |
| MATERIAL | ⚠ | | |
| FINISH | ⚠ | | |

| LOC | DIST | REVISIONS | | | | | |
|-----|------|-----------|-----|-------------|------|-----|------|
| GP | 00 | P | LTN | DESCRIPTION | DATE | DMN | APVD |
| - | - | - | - | SEE SHEET 1 | - | - | - |



| | | | | |
|--|--|---|-----------|---|
| THIS DRAWING IS A CONTROLLED DOCUMENT. | | DMN R. TREA CHK R. HENRY APVD | 11DEC2012 | STE TE Connectivity |
| DIMENSIONS: mm | | TOLERANCES UNLESS OTHERWISE SPECIFIED: 0 PLC ± 1 PLC ±0.13 2 PLC ± 3 PLC ± 4 PLC ± ANGLES ± | | |
| MATERIAL | | FINISH | | NAME RECEPTACLE ASSEMBLY, 1X1, VERTICAL, INTERNAL MINI SAS HD |
| CUSTOMER DRAWING | | SCALE 8:1 SHEET 2 OF 2 REV A | | RESTRICTED TO A100779C=2227595 |