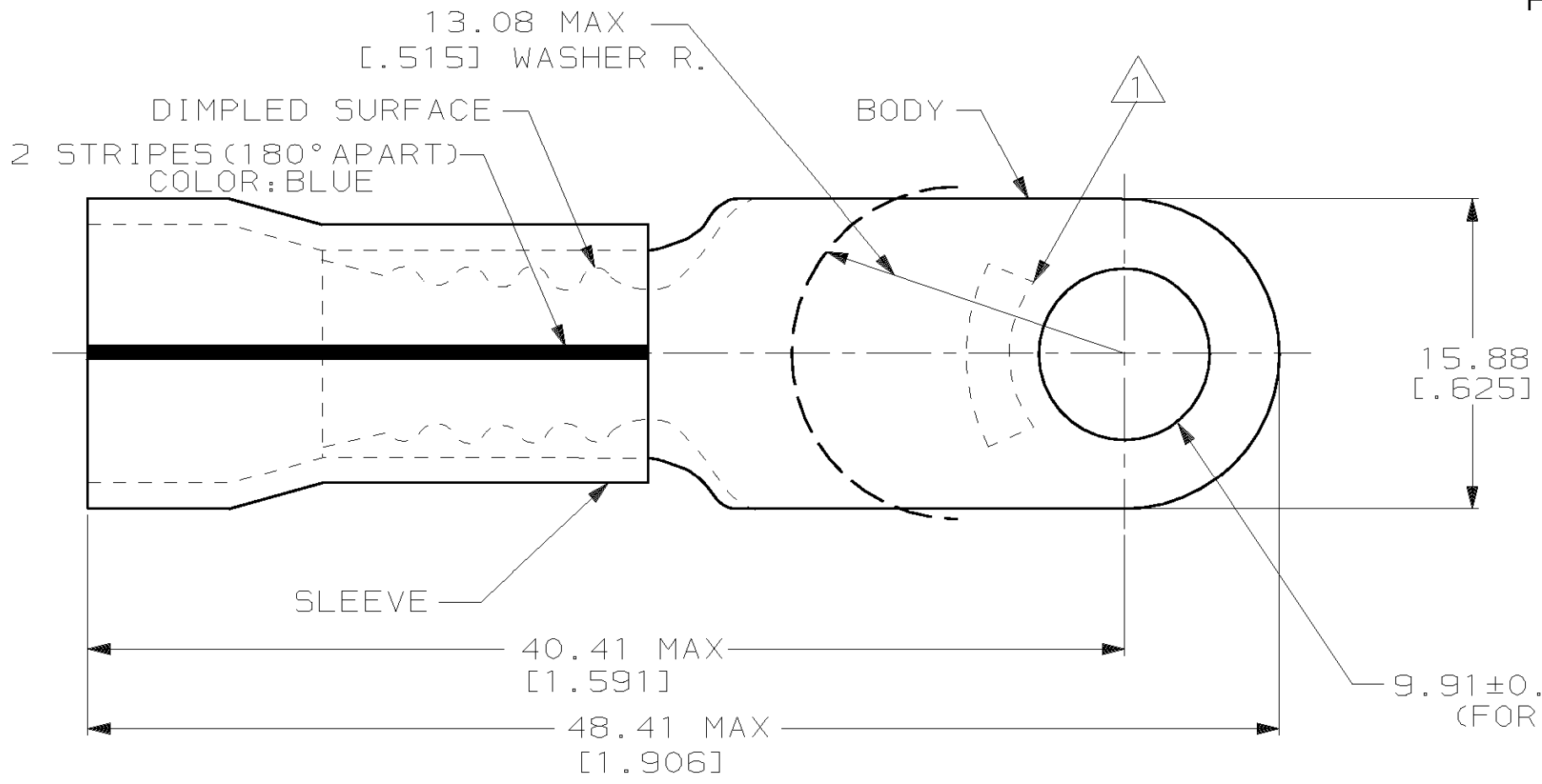


THIS DRAWING IS UNPUBLISHED. RELEASED FOR PUBLICATION, 19 .
 © COPYRIGHT 19 BY AMP INCORPORATED. ALL INTERNATIONAL RIGHTS RESERVED.

LOC G	DIST 14	P	F	REVISIONS			DATE	APPD
				ZONE	LTR	DESCRIPTION		
					E	REV PER 0G3A-0363-01	10JUL01	JR/TM



AMP
WIRE RANGE

6 AWG
STRANDED

METRIC

DIMENSIONS LISTED IN mm [INCHES]

NOTE:

1. STAMP AMP 6* LOCATE APPROX AS SHOWN
2. TONGUE MATERIAL THK 1.14±0.08 [.045±.003]
3. WIRE INSULATION DIA 11.07 [.436] MAX

9.91±0.13 [.390±.005] DIA
(FOR 3/8 STUD)

AMP INCORPORATED CUSTOMER SERVICE SYSTEMS		MAX RECOMMENDED OPERATING TEMPERATURE: 150°c	DO NOT SCALE PRINT. UNLESS SPECIFIED DIMENSIONS IN mm [INCHES] TOLERANCES ON: 2 PLC DEC ± 0.20 [.008] 3 PLC DEC ± - ANGLES ± -	DR 10-6-93 S.S. GOULDEN	100	LOOSE PC	53947-1
FOR ADDITIONAL PRODUCT INFORMATION OR COPIES OF DRAWINGS AND TECHNICAL DOCUMENTS	PRODUCT INFORMATION CENTER 1-800-522-6752	VOLTAGE RATING: 600 V MAX	MATERIAL COPPER PER ASTM B-152 PVF ² , COLOR:NATURAL	CHK 10-6-93 R. HERSEY	QTY	PACKAGE TYPE	PART NO
FOR APPLICATION TOOLING INFORMATION	TOOLING ASSISTANCE CENTER 1-800-722-1111	CIRCULAR MIL AREA: 10.54-16.77mm ² [20,800-33,100] STRANDED	FINISH TIN/LEAD (93-7) PLATE PER ASTM B545	APPD 10-6-93 B. BARE	AMP AMP Incorporated Harrisburg, PA 17105-3608		
FOR ORDER ENTRY	1-800-526-5142	THIS DRAWING IS A CONTROLLED DOCUMENT FOR AMP INCORPORATED. IT IS SUBJECT TO CHANGE AND THE CONTROLLING ENGINEERING ORGANIZATION SHOULD BE CONTACTED FOR THE LATEST REVISION.	DR 10-6-93 M. ELLIS	APPD 10-6-93 M. ELLIS	NAME TERMINAL, RING TONGUE, PVF ² , PLASTI-GRIP, WIRE SIZE:6 AWG		
				PRODUCT SPEC NOT AVAILABLE	SIZE B	CAGE CODE 00779	DRAWING NO C-53947
				APPLICATION SPEC NOT AVAILABLE	SCALE NTS	SHEET 1 OF 1	