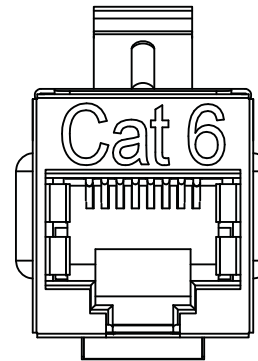
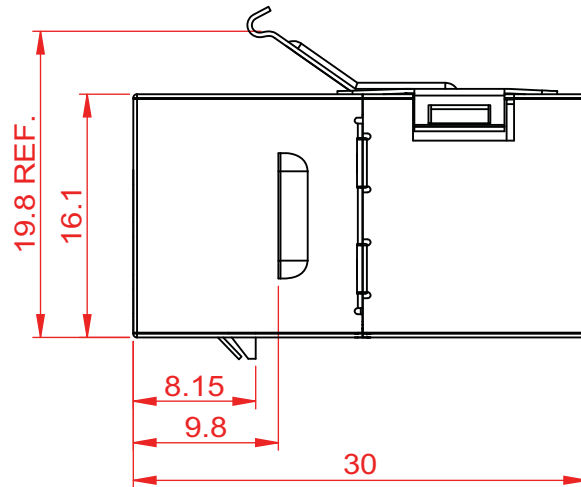
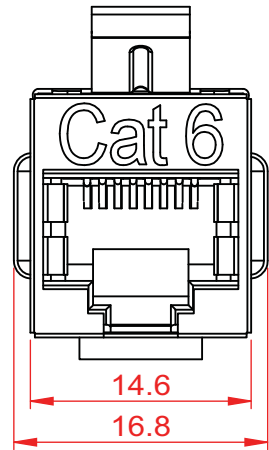
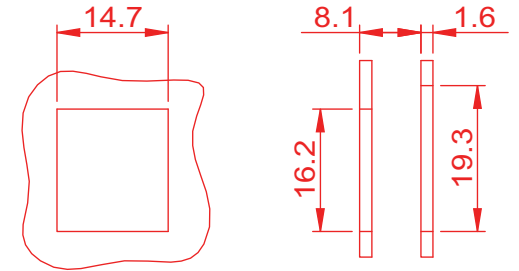


量產圖



SUGGESTED MOUNTING CUTOUT



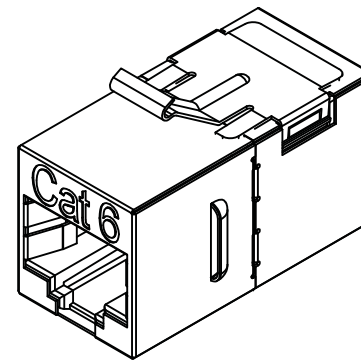
ACCORDING TO ANSI/TIA-568-C.2
REQUIREMENTS
C6 CHANNEL COMPLIANT



COMMUNICATION
CIRCUIT ACCESSORIES

Cat 6

56Y4
E334154



MATERIAL

SHIELDED CASE : COPPER C2680, T=0.25MM, 30U" NICKEL PLATED.
BRACKET : SUS304.
COUPLER HOUSING : ABS HIGH-IMPACT UL94V-0 THERMOPLASTIC.
CONTACT HOLDER : ABS HIGH-IMPACT UL94V-0 THERMOPLASTIC.
SPRING WIRE : PHOSPHOR BRONZE 5100W TEMPER WIRE, Φ=0.45MM, 3U" AU / 30U" PDNI OVER 60U" NICKEL UNDERCOAT.

PHYSICAL CHARACTERISTICS

INSERTION LIFE : 750 MATING CYCLES WITH FCC COMPLIANT 8P PLUG.
CONTACT FORCE : 100 GRAMS WITH FCC COMPLIANT 8P PLUG.
PLUG RETENTION FORCE : 11 LBF MIN.
OPERATING TEMPERATURE RANGE : -10°C TO 60°C.
STORAGE TEMPERATURE RANGE : -40°C TO 68°C.
HUMIDITY : 10%~90%RH.

ELECTRICAL

INSULATION RESISTANCE : 500 MΩ.
DIELECTRIC WITHSTANDING VOLTAGE : 1000 V AC.
DC CURRENT RATING : 1.5 Amps.
DC RESISTANCE : 0.1Ω.
CONTACT RESISTANCE : 20mΩ.

NOTE

A : WILL NOT SUPPORT CHANNEL SHORTER THAN 15M.
B : DO NOT INSERT RJ-11 6P PLUG.

A	INITIAL RELEASE		01/06/12	
REV	DESCRIPTION OF CHANGE		DATE	
	TOLERANCE			
	INCHES	M/M		
	.X	.015 .30		
	.XX	.010 .10	SCALE	3:2
	.XXX	.005 .05	UNIT	MM
DRAWN BY			SHEET	1/1
			DATE	01/06/12
CHECK BY			DWG NO.	
			TITLE	
APPD BY			PART NO. N235-001-SH	