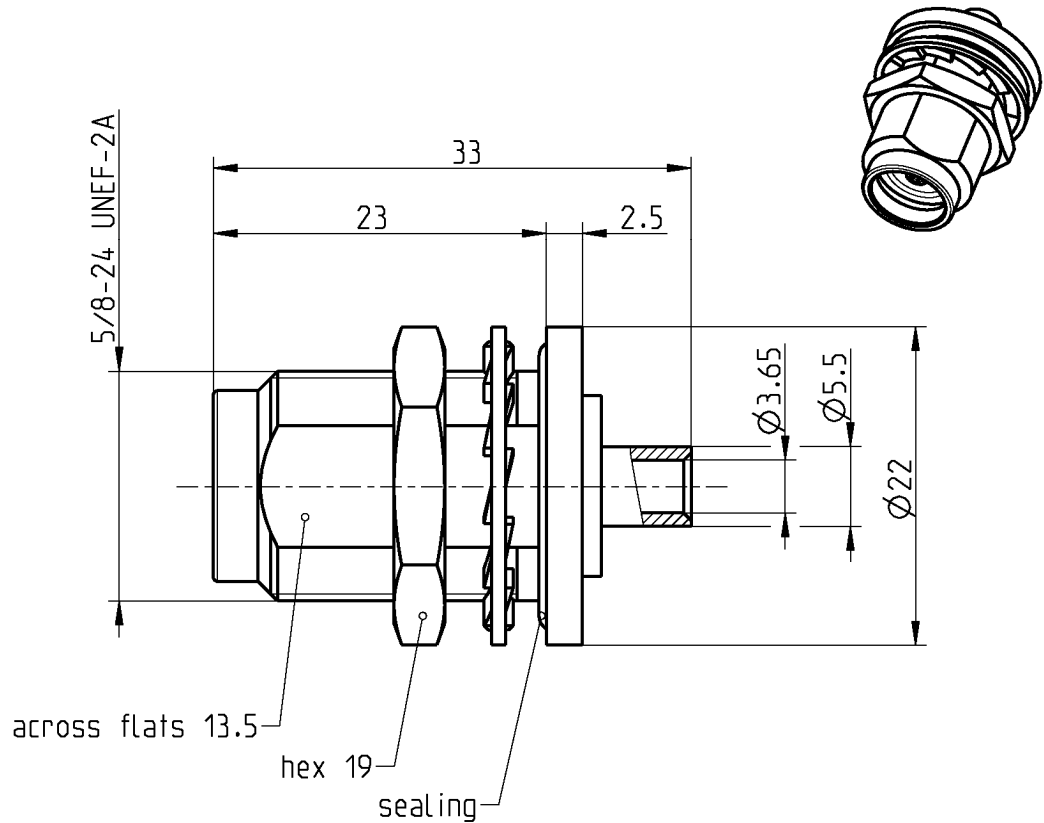


SnapN
50 Ω

BULKHEAD JACK

53QK501-272N5



All dimensions are in mm; tolerances according to ISO 2768 m-H

Interface

According to IEC 60169-16, MIL-PRF-39012, CECC 22210

Documents

Assembly instruction 53 T2
Panel piercing B 13

Material and plating

Connector parts

Center contact
Outer contact
Body
Dielectric
Gasket
Solder socket

Material

Spring bronze
Brass
Brass
PTFE
NBR
Brass

Plating

AuroDur, gold plated
White bronze(e.g. Optalloy®)
White bronze(e.g. Optalloy®)

Silver, 3-6 μm

SnapN
50 Ω

BULKHEAD JACK

53QK501-272N5

Electrical data

Impedance	50 Ω
Frequency	DC to 11 GHz
Return loss	≥ 32 dB, DC to 2 GHz ≥ 25 dB, 2 to 5 GHz ≥ 20 dB, 5 to 8 GHz
Insertion loss	≤ 0.05 dB x √ f [GHz]
Insulation resistance	≥ 5 x10 ³ MΩ
Center contact resistance	≤ 1.0 mΩ
Outer contact resistance	≤ 1.0 mΩ
Test voltage	2500 V rms
Working voltage	500 V rms
RF-leakage	≤ -90 dB, 100 MHz to 3 GHz ≤ -80 dB, 3 GHz to 6 GHz
Intermodulation (3 rd order)	≤ -155 dBc @ 1.8 GHz (2 x 43 dBm)

- Limitations are possible due to the used cable type -

Mechanical data

Mating cycles	min. 200
Engagement force	30 N (typ.)
Disengagement force	30 N (typ.)

Environmental data

Temperature range	-40°C to +125°C
Thermal shock	MIL-STD-202, Meth. 107, Cond. B
Corrosion	MIL-STD-202, Meth. 101, Cond. B
Vibration	MIL-STD-202, Meth. 204, Cond. A
Shock	MIL-STD-202, Meth. 213, Cond. I
Moisture resistance	MIL-STD-202, Meth. 106
RoHS	compliant

Tooling

Crimping tool	N/A
Crimp insert	N/A

Suitable cables

UT 141

Weight

Weight	35 g/pce
--------	----------

While the information has been carefully compiled to the best of our knowledge, nothing is intended as representation or warranty on our part and no statement herein shall be construed as recommendation to infringe existing patents. In the effort to improve our products, we reserve the right to make changes judged to be necessary.

Draft	Date	Approved	Date	Rev.	Engineering change number	Name	Date
A. Fellner	17.03.05	J_Gramsamer	31.03.15	e00	15-0397	J_Krautenb.	31.03.15
Rosenberger Hochfrequenztechnik GmbH & Co. KG P.O.Box 1260 D-84526 Tittmoning Germany www.rosenberger.de					Tel.: +49 8684 18-0 email: info@rosenberger.de		Page 2 / 2