

Alu-Topline



Detailed product information can be found on www.bopla.de



- 4 standard lengths; flexible length design available
- 2 heights
- More dimensions on request
- Horizontally-divided profiles for easy mounting
- Recessed membrane keypad area in the lid
- Mounting grooves inside
- "Invisible" wall fitting as accessory

Colour:

Natural-coloured anodised aluminium profile; plastic lid black, similar to RAL 9005 or graphite grey, similar to RAL 7024; special colours on request

Protection class:

IP 40/DIN EN 60529; IP 54/DIN EN 60529 as an option

Enclosure material:

Extruded profiles: Al Mg Si 0.5 anodised; plastic lid: ABS; for details see Technical Information

The enclosure's profile technology allows optimal adaptation to individual requirements.



The divided enclosure profile ensures fast, easy mounting of the electronic components.



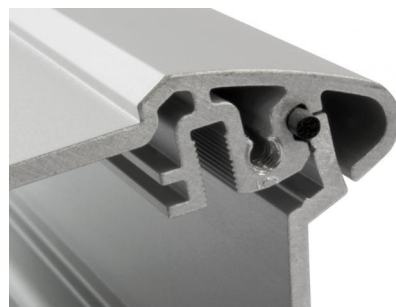
Alu-Topline has a recessed surface for mounting keypads or operating elements, e.g. hand-operated switches.



Additional smooth surfaces for mounting interfaces, e.g. USB or Sub-D connectors.



Plastic lids in quartz grey or graphite grey available as a profile end.



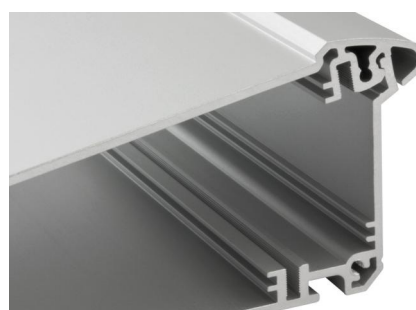
For protection class IP 54, in addition to seal AT...DI - available as an accessory - a round cord seal can be factory-fitted in the enclosure profile.



The enclosure offers a range of options for wall fitting.



Special profile lengths or other modifications are available on request.



The profiles are equipped with various plug-in slots and also screw channels for alternative uses for mounting circuit boards.

Alu-Topline | Enclosures

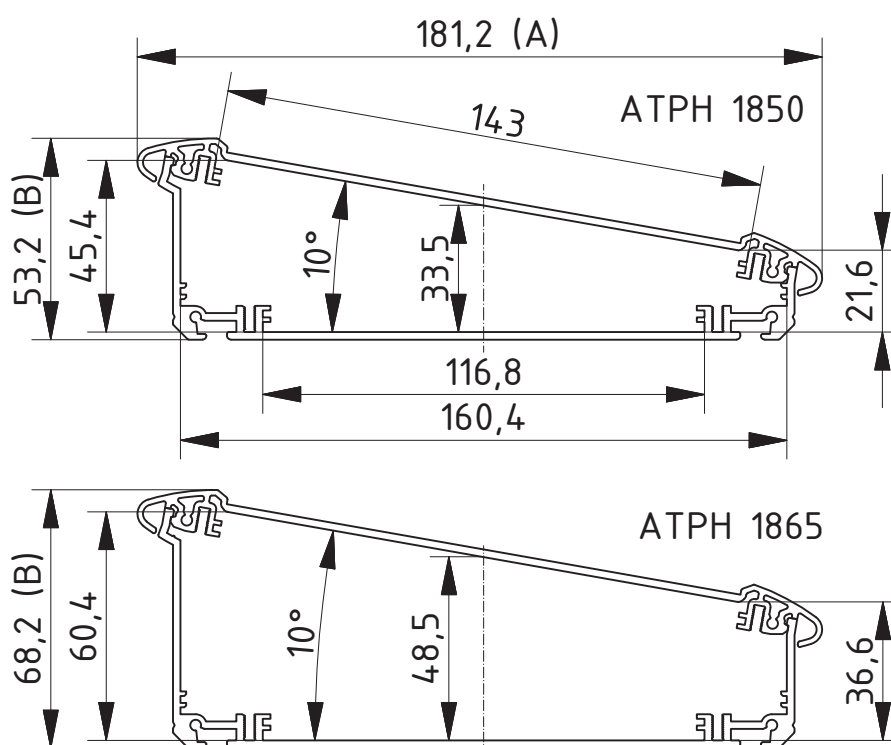


Enclosure profiles, horizontally-divided

Model	Order no.	A	B	C
ATPH 1850-0150	92850150	181,2	53,2	150
ATPH 1850-0200	92850200	181,2	53,2	200
ATPH 1850-0250	92850250	181,2	53,2	250
ATPH 1850-0300	92850300	181,2	53,2	300
ATPH 1865-0150	92865150	181,2	68,2	150
ATPH 1865-0200	92865200	181,2	68,2	200
ATPH 1865-0250	92865250	181,2	68,2	250
ATPH 1865-0300	92865300	181,2	68,2	300

Scope of delivery: Enclosure profile, 2 parts

Note: Special lengths on request.



Z-2803215

Alu-Topline | Accessories

End cover

Model	Order no.	Colour	Note
ATD 1850-7024	92050024	Graphite grey	For ATPH 1850
ATD 1850-9005	92050005	Black	For ATPH 1850
ATD 1865-7024	92065024	Graphite grey	For ATPH 1865
ATD 1865-9005	92065005	Black	For ATPH 1865

Scope of delivery: 2 lids, 8 screws, 8 screw covers



Seals for ingress protection IP 54

Model	Order no.	Note
AT 1850 DI	92050000	For ATPH 1850
AT 1865 DI	92065000	For ATPH 1865

Scope of delivery: 5 sets of sponge rubber seals (r. / l.)

Note: For protection class IP 54, in addition to seal AT...DI - available as an accessory - a round cord seal can be factory-fitted in the enclosure profile. Using the seals increases the enclosure width by approx. 1.6 mm.



Wall fastening, aluminium

Model	Order no.	Note
AT 1800-0150 WB	92800150	For ATPH-0150
AT 1800-0200 WB	92800200	For ATPH-0200
AT 1800-0250 WB	92800250	For ATPH-0250
AT 1800-0300 WB	92800300	For ATPH-0300

Scope of delivery: 1 wall profile, 2 slotted set screws

Note: Special lengths on request.



Universal wall fitting

Model	Order no.	Colour	Note
AT 0150-7024 UWB	92815024	Graphite grey	For ATPH-0150
AT 0200-7024 UWB	92820024	Graphite grey	For ATPH-0200
AT 0250-7024 UWB	92825024	Graphite grey	For ATPH-0250
AT 0300-7024 UWB	92830024	Graphite grey	For ATPH-0300

Scope of delivery: Profile (aluminium), 2 PA6 side flanges (complete), screws, covers

Note: Can be swivelled in 10° stages. Enclosure processing on request.



Insulating strip for PCB mounting on the profile

Model	Order no.	Note
AT-IS 00020	92000100	Length: 101,5 mm

Scope of delivery: 1 insulating strip



Rubber feet

Model	Order no.	Colour	Note
AB - GF	84006700	Black	Polyurethane, 65-75 Shore

Scope of delivery: 4 rubber feet

