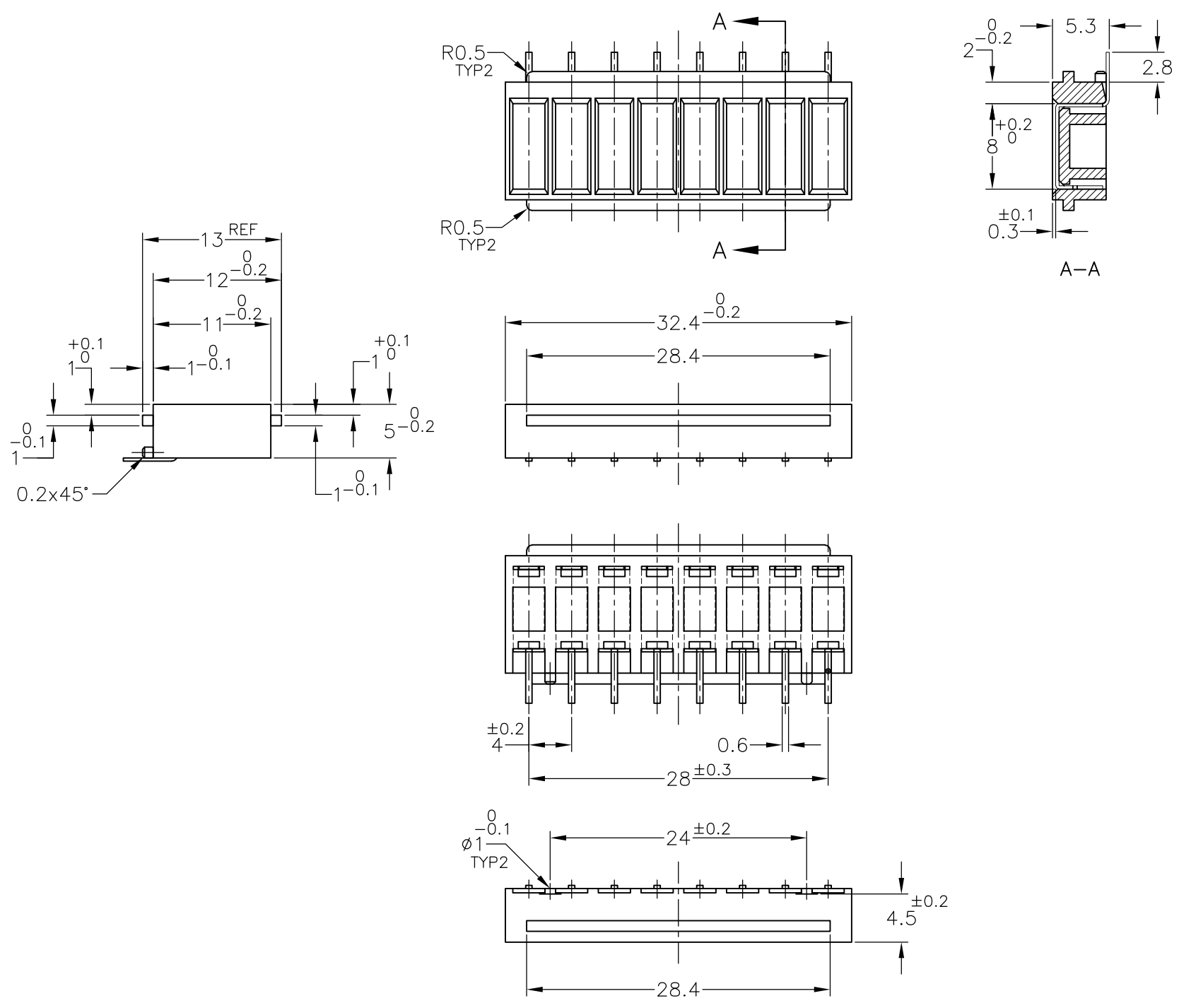


THIS DRAWING IS UNPUBLISHED. RELEASED FOR PUBLICATION MAY, 2001.
 © COPYRIGHT 2001 BY TYCO ELECTRONICS CORPORATION. ALL INTERNATIONAL RIGHTS RESERVED.

LOC	DIST	REVISIONS			
P	LTR	DESCRIPTION	DATE	DWN	APVD
J	/	B	REVISED	25NOV2009	M.I T.K



- 1 一般公差: ±0.2
 - 2 材質
ハウジング: ガラス強化 LCP 樹脂 (色調 黒)
UL グレード 94V-0
コンタクト: リン青銅 t=0.3
 - 3 めっき
ニッケルめっきタイプ: 全面光沢ニッケルめっき
リード部: 金めっき
金めっきタイプ: 全面ニッケル下地めっき
接触部: 金めっき 0.3um MIN
リード部: 金めっき
 - 4 性能に影響するキズや変形等のなきこと。
-
- 1 GENERAL TOLERANCE: ±0.2
 - 2 MATERIAL
HOUSING: GLASS REINFORCED LCP (BLACK)
UL GRADE 94V-0
CONTACT: PhBr t=0.3
 - 3 PLATING
NICKEL PLATING TYPE: OVERALL BRIGHT NICKEL PLATING
SOLDER LEAD: Au PLATING
Au PLATING TYPE: OVERALL NICKEL UNDER PLATING
CONTACT POINT: Au PLATING 0.3um MIN.
SOLDER LEAD: Au PLATING
 - 4 NO DAMAGE AND DEFORM WHICH COULD AFFECT FUNCTION.

1-1447141-8	3900065-01	金めっき品	Au PLATING
1-1447141-7	3900065-00	ニッケルめっき品	NICKEL PLATING
型番 PART NUMBER	旧型番 OLD PART NUMBER	備考 REMARK	
DWN M.INOUE	31MAY2001	Tyco Electronics Corporation Kawasaki, Japan	
CHK I.ENOMOTO	31MAY2001		
APVD I.ENOMOTO	31MAY2001	NAME	
PRODUCT SPEC	BATTERY TERMINAL ASSY		
APPLICATION SPEC	SIZE	CAGE CODE	DRAWING NO
WEIGHT	A3	00779	C-1-1447141-7
CUSTOMER DRAWING		SCALE	SHEET
		2:1	1 OF 1
		REV	B

THIS DRAWING IS A CONTROLLED DOCUMENT.

DIMENSIONS:	TOLERANCES UNLESS OTHERWISE SPECIFIED:
mm	0 PLC ± -
	1 PLC ± -
	2 PLC ± -
	3 PLC ± -
	4 PLC ± -
	ANGLES ± -
MATERIAL	FINISH ± -