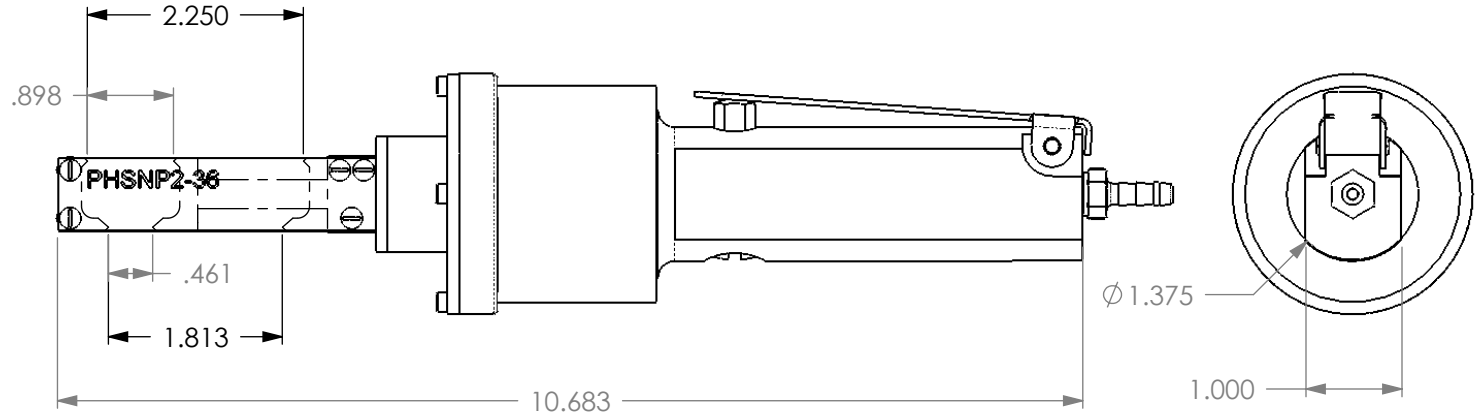
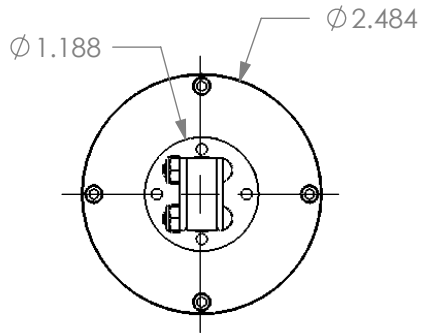
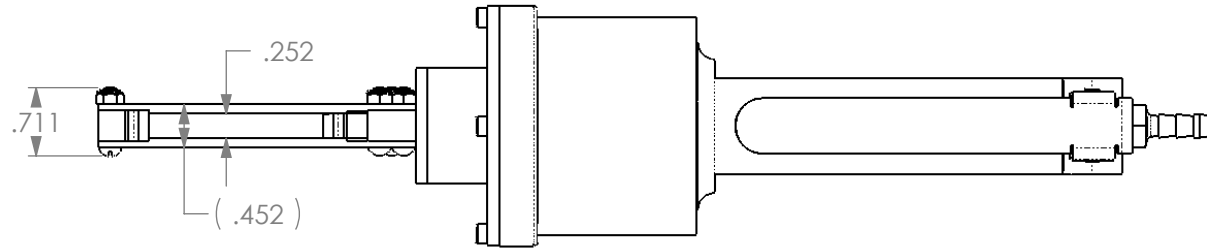
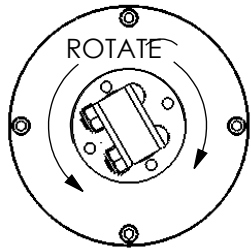
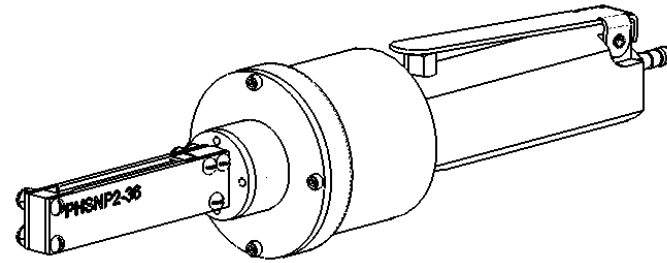


NOTE:

1. MAXIMUM AIR PRESSURE 100 PSI (6.9 BAR)
2. TOOL INSTALL A RANGE OF SNAPPER HOSE CLAMPS FROM SNP2 THRU SNP36.



INVENTORS

HellermannTyton®

Cable Management Products

ALL PROPRIETARY RIGHTS IN THE SUBJECT MATTER SHOWN ON THIS DRAWING ARE EXCLUSIVE PROPERTY OF HELLERMANNTYTON

name	date	city, state
X. XXXXXXXXXXX	XX/XX/XX	XXXXXXXX, WI.

REVISION

D	level	▲
R		
A	by	CML
W	date	11/03/99
I	ECN #	001545
N		
G	part level	A

DIMENSIONS

.XXXX = ± .0005/[±.013]
.XXX = ± .005/[±.13]
.XX = ± .01/[±.3]
.X = ± .03/[±.8]
∠ = ±0.5°
unless otherwise specified
units inches / [mm]

PART

number	PHSNP2-36	phase	PRODUCTION
name			
CUSTOMER DRAWING PHSNP 2-36			
material			

DRAWING

format	version M	AH	CAD	SW	scale	1:2
computer file number	TS2013135CST_A			previous number		
drawn	CML	checked		approved		
	11/03/99					
type	CUSTOMER			sheet	1 of 1	
number	TS2013135CST					