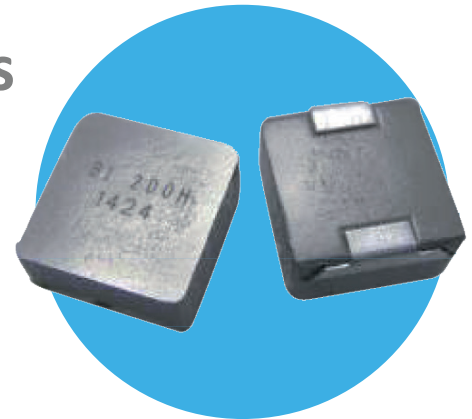


High Power High Performance Molded Surface Mount Inductors

Model HA72E-12

Features and Benefits

- Operating Temperature -40°C to +155°C
- Temperature Rise, Maximum 40°C
- Operating Frequency Up to 5MHz
- AEC-Q200 Certified
- RoHS Compliant



Specification @ 25°C

Part Number	Inductance ⁽¹⁾ μH±20%	Heating Current ⁽²⁾ (Adc)	Isat ⁽³⁾ (Adc)	DCR (mΩ)	
				Typ.	Max.
HA72E-12R68HLF	0.68	35	35	1.4	1.6
HA72E-121R0HLF	1.00	32	31	1.7	2.0
HA72E-121R5HLF	1.50	27	27	2.5	3.0
HA72E-122R2HLF	2.20	22	24	3.5	4.2
HA72E-123R3HLF	3.30	18	20	5.7	6.8
HA72E-124R7HLF	4.70	13	15	9.3	11.2
HA72E-126R8HLF	6.80	11	11	13.1	14.0
HA72E-12100HLF	10.0	10	9	16.4	17.2
HA72E-12200HLF	20.0	5	8	37.0	40.5

Notes:

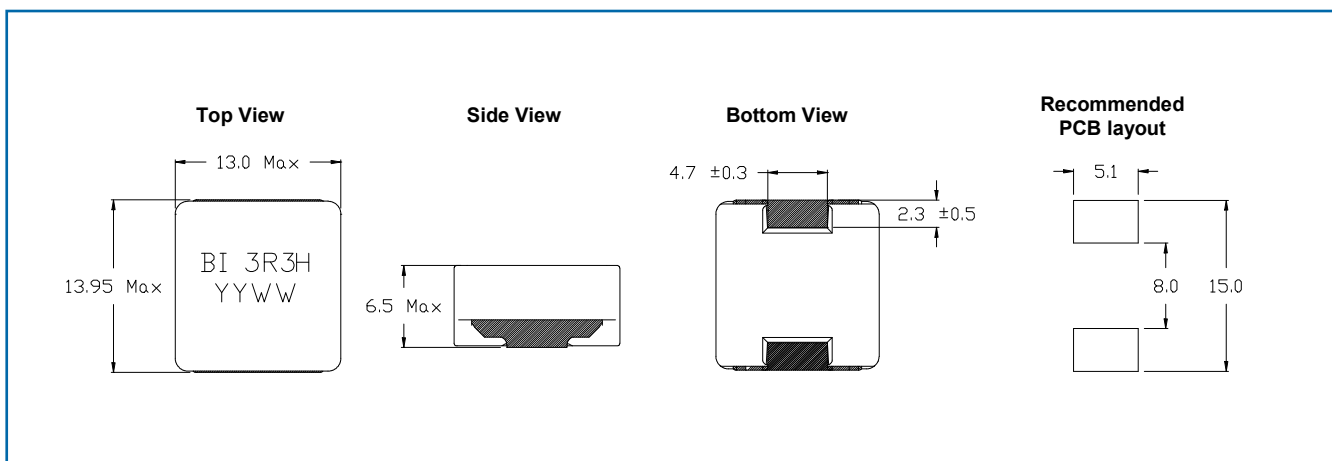
(1) Inductance is measured at 100 kHz, 0.1Vac without DC current.

(2) The Heating Current is the approximate DC current which causes the component temperature to increase by 40°C. This current is determined by soldering the component on a typical application PCB, and then applying the current to the device for 30 minutes.

(3) The saturation current (Isat) is the approximate current at which the inductance will be decreased by 20% typical from its initial (zero DC) value.

(4) The part temperature (ambient + temperature rise) should not exceed 155°C.

Outline Dimensions (mm)

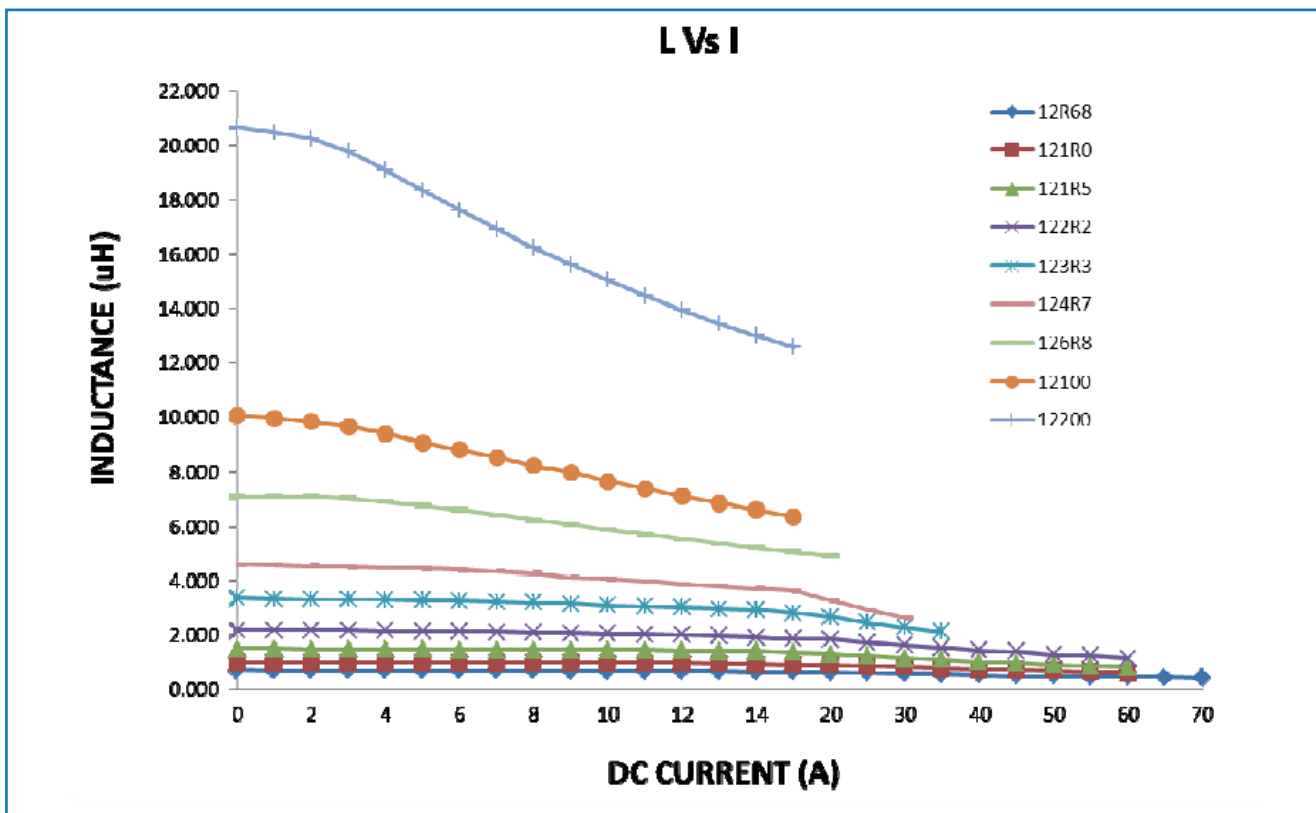


General Note

TT Electronics reserves the right to make changes in product specification without notice or liability.

All information is subject to TT Electronics' own data and is considered accurate at time of going to print.

Electrical Characteristic @ 20°C



Packaging / Ordering Information

<table border="0" style="margin: auto;"> <tr> <td style="border-bottom: 1px solid black; padding: 2px;">One reel (13")</td> <td style="border-bottom: 1px solid black; padding: 2px; text-align: right;">400 pcs</td> </tr> <tr> <td style="border-bottom: 1px solid black; padding: 2px;">One shipping carton (6 reels)</td> <td style="border-bottom: 1px solid black; padding: 2px; text-align: right;">2400 pcs</td> </tr> </table>	One reel (13")	400 pcs	One shipping carton (6 reels)	2400 pcs											
One reel (13")	400 pcs														
One shipping carton (6 reels)	2400 pcs														
<table border="0" style="margin: auto;"> <tr> <td style="text-align: center;">HA72E</td> <td style="text-align: center;">-</td> <td style="text-align: center;">12</td> <td style="text-align: center;">R68</td> <td style="text-align: center;">LF</td> <td style="text-align: center;">TR13</td> <td></td> </tr> <tr> <td style="text-align: center;">Model Series</td> <td></td> <td style="text-align: center;">Case Size</td> <td style="text-align: center;">Inductance Code</td> <td style="text-align: center;">Lead Free</td> <td style="text-align: center;">13" tape & reel packing</td> <td></td> </tr> </table>		HA72E	-	12	R68	LF	TR13		Model Series		Case Size	Inductance Code	Lead Free	13" tape & reel packing	
HA72E	-	12	R68	LF	TR13										
Model Series		Case Size	Inductance Code	Lead Free	13" tape & reel packing										
<p>Inductance Code: First 2 digits are significant. Last digit denotes number of trailing zeros. For values below 10μH, "R" denotes the decimal point.</p>															

General Note

TT Electronics reserves the right to make changes in product specification without notice or liability.
All information is subject to TT Electronics' own data and is considered accurate at time of going to print.