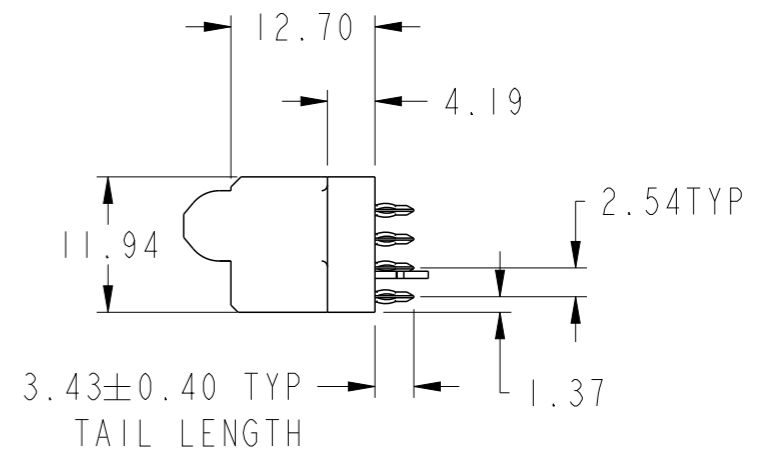
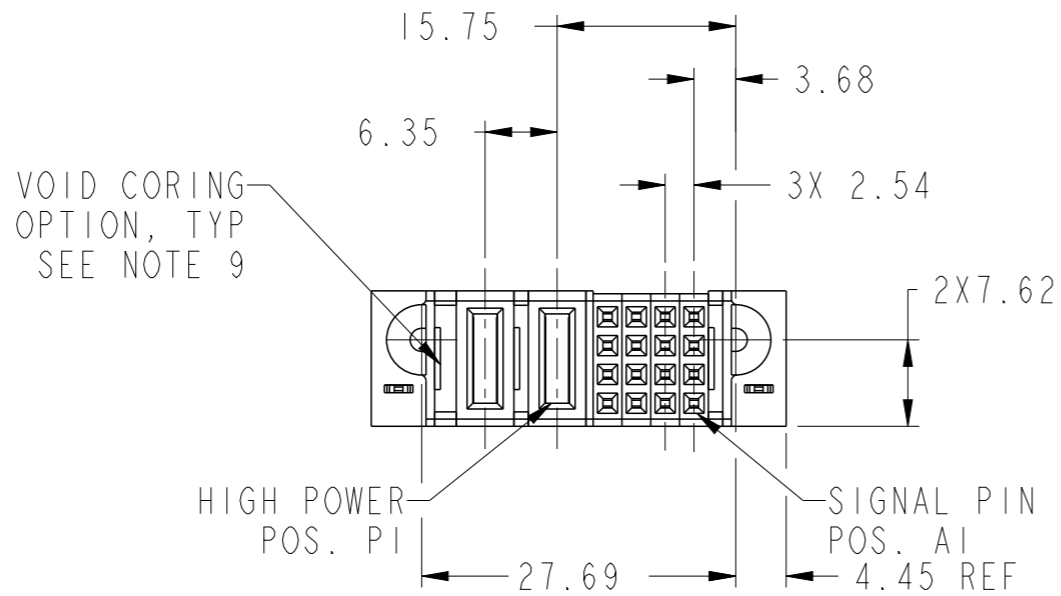
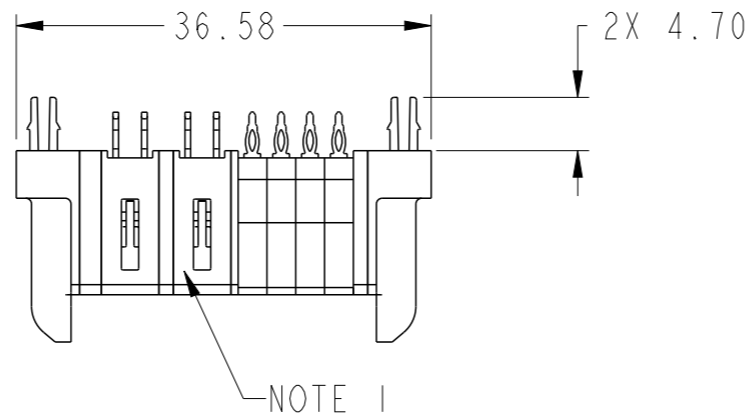
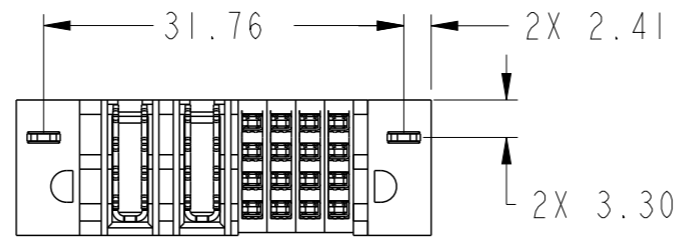


PRODUCT NUMBER SEE SHEET 2



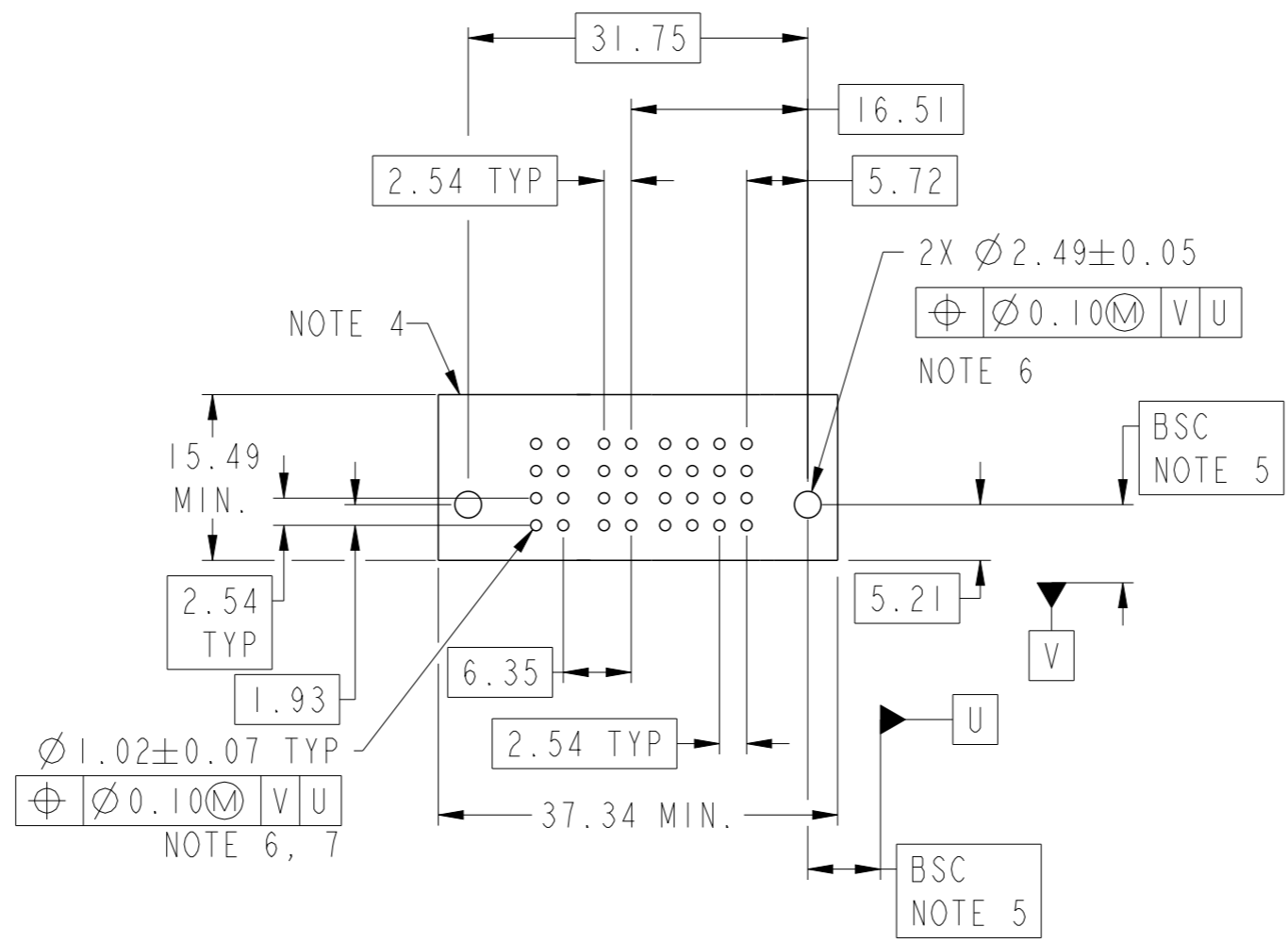
spec ref		dr	Peng-Bing Fu	2012/07/02	projection	MM	size	A3	scale	3:2
tolerance std		eng	Xie Bob	2013/05/20			ecn no		-	
ASME Y14.5		chr	-	-			rel level		Released	
TOLERANCES UNLESS OTHERWISE SPECIFIED		appr	Pei-Ming Zheng	2013/05/20	product family		PowerBlade+		-	
		surface	linear	0.X	±0.50			cat. no. 16S + 2HP		dwg no 10106131-2004001
ASME Y14.5		angular	0°	±2°	www.fci.com		Product - Customer Drw		sheet 1 of 3	



Copyright FCI.

PRODUCT NO.	ROWS	HP			SIGNAL				
		E1	P2	P1	4	3	2	1	E2
10106131-2004001LF	DCBA	HA	HG	HG	F	F	F	F	HA

CODE	DESCRIPTION
F	STD SIGNAL CONTACT
HA	METAL HOLD DOWN
HG	STD HIGH POWER CONTACT (3.43)



dr	Peng-Bing Fu	2012/07/02	projection	MM	size	A3	scale	3:2	
eng	Xie Bob	2013/05/20			ecn no				
chr	-	-			-				
appr	Pei-Ming Zheng	2013/05/20	product family	PowerBlade+	rel level				
					Released				
		16S + 2HP			dwg no		10106131-2004001		rev
www.fci.com		VT PF RECEPTACLE					A		
cat. no.			Product - Customer Drw			sheet 2 of 3			

Copyright FCI.

A

B

C

D

A

B

C

D

NOTES:

- 1) "FCI", PART NUMBER AND DATE CODE TO BE MARKED ON THIS SURFACE.  
THE P/N CAN BE OMITTED IF THERE IS NOT ENOUGH SPACE ON THIS SURFACE.
- 2) MATERIALS:  
-HOUSING - GLASS FILLED WITH HIGH TEMP THERMOPLASTIC, UL94V-0.  
-SIGNAL CONTACT - COPPER ALLOY.  
-POWER CONTACT - HIGH CONDUCTIVITY COPPER ALLOY.
- 3) PLATING SPECIFICATION REFER TO FCI 10116351
- 4) DENOTES CONNECTOR KEEP OUT ZONE.
- 5) DATUM AND BASIC DIMENSIONS WERE ESTABLISHED BY CUSTOMER.
- 6) ALL HOLE DIAMETERS ARE FINISHED HOLE SIZES.
- 7)  $1.15 \pm 0.025$ MM DRILLED HOLE PLATED WITH 0.00762MM MIN Sn  
OVER 0.0254-0.0762MM Cu PLATING TO ACHIEVE A  $1.02 \pm 0.07$ MM HOLE.
- 8) PRODUCT SPECIFICATION REFER TO FCI GS-12-658.  
APPLICATION SPECIFICATION REFER TO FCI GS-20-141.  
PRODUCT PACKAGED IN TRAYS, REFER TO FCI GS-14-1502.
- 9) THE VOID CORING IN BETWEEN POWER MODULES, SIGNAL  
MODULES AND END MODULES ARE OPTIONAL AND THE SHAPE  
MAY BE DIFFERENT FOR OPTIMIZE THE MOLDING PROCESS. THE  
VOID CORING WILL NOT EFFECT TO PRODUCT FUNCTION.



Copyright FCI.

dr	Peng-Bing Fu	2012/07/02	projection 	MM 	size	A3	scale	1:1		
eng	Xie Bob	2013/05/20			ecn no	-				
chr	-	-			rel level	Released				
appr	Pei-Ming Zheng	2013/05/20	product family	PowerBlade+						
		title			16S + 2HP	dwg no		10106131-2004001	rev	A
www.fci.com		cat. no.			Product - Customer Drw			sheet 3 of 3		