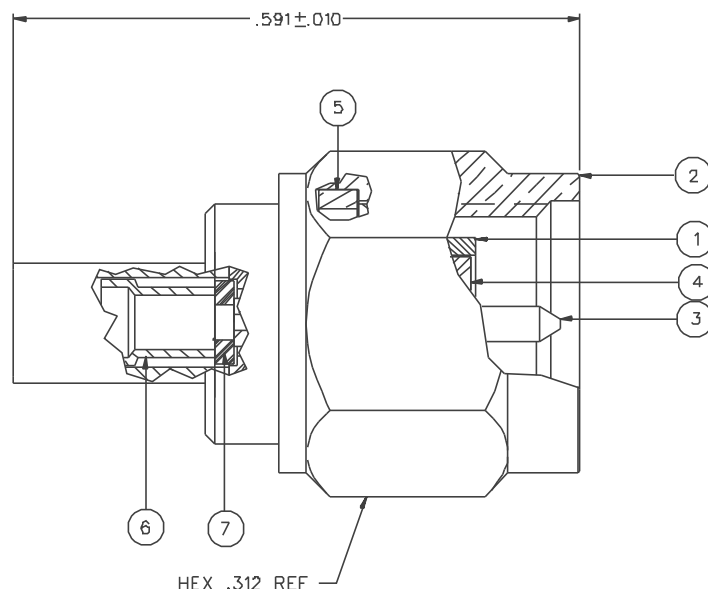


PART NUMBER	ITEM ① BODY	ITEM ② NUT	ITEM ③ CONTACT	ITEM ④ INSULATOR	ITEM ⑤ RETENTION SPRING	ITEM ⑥ CRIMP INSERT	ITEM ⑦ REAR INSULATOR
142-D402-D11	BRASS GOLD PL .00001 MIN OVER NICKEL PL .00005 MIN OVER COPPER PL .00005 MIN	BRASS GOLD PL .00001 MIN OVER NICKEL PL .00005 MIN OVER COPPER PL .00005 MIN	BRASS GOLD PL .00005 MIN OVER NICKEL PL .00005 MIN OVER COPPER PL .00005 MIN	TEFLON	BERYLLIUM COPPER UNPLATED	COPPER GOLD PL .00001 MIN OVER NICKEL PL .00005 MIN OVER COPPER PL .00005 MIN	TEFLON
142-D402-D16	BRASS NICKEL PL .0001 MIN OVER COPPER PL .00005 MIN	BRASS NICKEL PL .0001 MIN OVER COPPER PL .00005 MIN	BRASS GOLD PL .00005 MIN OVER NICKEL PL .00005 MIN OVER COPPER PL .00005 MIN	TEFLON	BERYLLIUM COPPER UNPLATED	COPPER NICKEL PL .0001 MIN OVER COPPER PL .00005 MIN	TEFLON

DRAWING NO. C - 142-0402-011/020	
0 REVISIONS	
ENGINEERING RELEASE	
1	7-29-97 R H A K A 7-30-97 ECN 44880
CHANGED: STRIP DIMENSIONS .261+- .010 AND .095+- .010 WERE .249+- .010 AND .086+- .010	
1a	10-15-97 R H A K A ECN 45066
VERSION UPDATE	
* REVISION NUMBER FOLLOWED BY AN ALPHA *	
* CHARACTER INDICATES DRAWING CLARIFICATION *	
* CATION OR PART NUMBER ADDITION ONLY. *	
1b	5-3-00 R H A K A ECN 47120



NOTES:

1. SPECIFICATIONS:

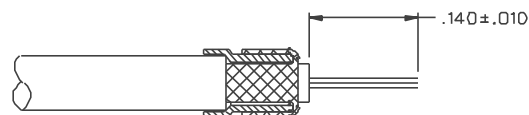
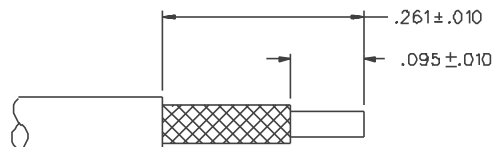
IMPEDANCE: 50 OHMS
 FREQUENCY RANGE: 0-12.4 GHz
 VSWR: 1.20-.025 F MAX (F IN GHz)
 WORKING VOLTAGE: 170 VRMS MAX AT SEA LEVEL
 DIELECTRIC WITHSTANDING VOLTAGE: 500 VRMS MIN AT SEA LEVEL
 INSULATION RESISTANCE: 5000 MEGOHM MIN
 CONTACT RESISTANCE:
 CENTER CONTACT - INITIAL 3.0 MILLIOHM MAX, AFTER ENVIRONMENTAL 4.0 MILLIOHM MAX
 OUTER CONDUCTOR - INITIAL 2.0 MILLIOHM MAX AFTER ENVIRONMENTAL NOT APPLICABLE
 BODY TO CABLE - 0.5 MILLIOHM MAX (GOLD PLATED)
 5.0 MILLIOHM MAX (NICKEL PLATED)
 CORONA LEVEL: 125 VOLTS MIN AT 70,000 FEET
 INSERTION LOSS: .06/√ F dB MAX (F IN GHz) AT 0-6 GHz
 RF LEAKAGE: -60 DB MIN AT 2 TO 3 GHz
 RF HIGH POTENTIAL WITHSTANDING VOLTAGE: 335 VRMS MIN AT 5 MHz

MECHANICAL:

ENGAGE/DISENGAGE TORQUE: 2 INCH-POUNDS MAX
 MATING TORQUE: 7-10 INCH-POUNDS
 COUPLING PROOF TORQUE: 15 INCH-POUNDS MIN
 COUPLING NUT RETENTION: 6 LBS MIN
 CONTACT RETENTION: 6 LBS MIN
 CABLE ACCEPTABILITY: RG 17B/U, RC 196/U
 CABLE HEX CRIMP SIZE: .105
 CABLE RETENTION: 10 LBS MIN AXIAL FORCE
 DURABILITY: 500 CYCLES MIN

ENVIRONMENTAL:

(MEETS OR EXCEEDS THE APPLICABLE PARAGRAPH OF MIL-C-39012)
 THERMAL SHOCK: MIL-STD-202, METHOD 107, CONDITION B, EXCEPT B5° C HIGH TEMP
 OPERATING TEMPERATURE: -65° C TO 165° C
 CORROSION: MIL-STD-202, METHOD 101, CONDITION B
 SHOCK: MIL-STD-202, METHOD 213, CONDITION I
 VIBRATION: ML-STD-202, METHOD 204, CONDITION D
 MOISTURE RESISTANCE: MIL-STD-202, METHOD 106



CABLE STRIP DIMENSIONS


8:1

CUSTOMER DRAWING

THIS DRAWING TO BE INTERPRETED PER ANSI Y 14.5M - 1982

"μSTATION"

COMPANY CONFIDENTIAL

TOLERANCE UNLESS OTHERWISE SPECIFIED	DRAWN BY TAK	DATE 4-10-97	 <small>Cinch Connectivity Solutions 299 Johnson Ave. Ste. 100 Worcester, MA 01605 1-800-247-8256</small>	
DECIMALS .XX	CHECKED BY	DATE	TITLE PLUG ASSEMBLY, STRAIGHT CABLED SMA, RG 17B	
XXX	APPROVED BY RJB	DATE 7-29-97	CODE NO.	DRAWING NO. C - 142-0402-011/020
MATL	APPROVED BY	DATE	SCALE 10:1	U/M INCH SHEET 2 OF 2
FINISH	RELEASE DATE	7-30-97		