

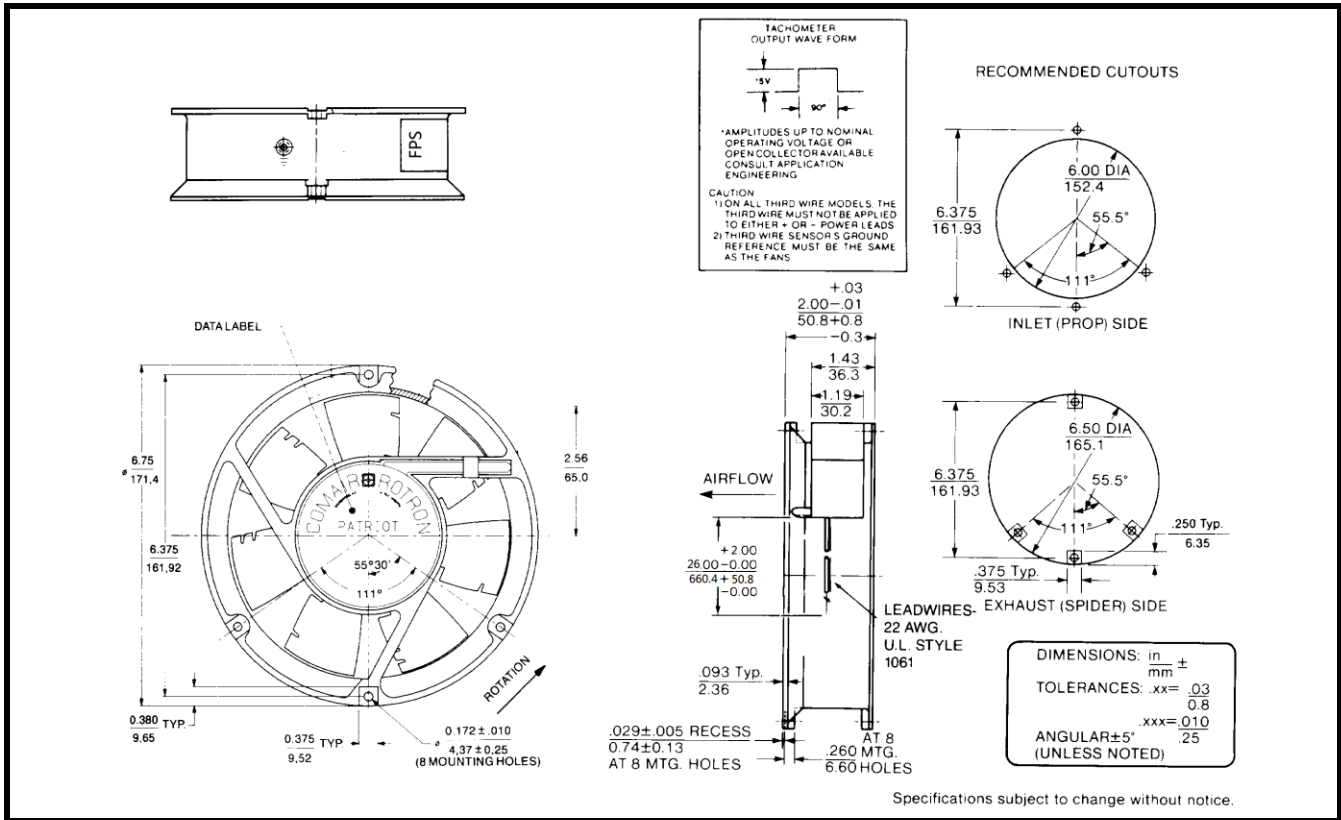
# SPECIFICATIONS



**Model Number:** PQ48S3HBDLX  
**Part Number:** 19031122A

August 1, 2010

## Mechanical Drawing:



### Motor:

Nominal Voltage = 48 vdc  
 Operating Voltage Range = 24 - 56 vdc  
 Nominal Running Current = 0.460 Amps  
 Locked Rotor Current = 1.00 Amps  
 Running Power = 24 Watts  
 Average Speed = 3500 RPM  
 Bearings = Ball  
 Air Flow = 235 CFM  
 Acoustic = 51.2 dBA

### Construction:

Venturi: Single Piece, Die-Cast Aluminum, Black  
 Propeller: Plastic, Black, UL 94V-0

### Agency Approvals:

UL, CUL, CE

### Life Expectancy:

This fan is designed for continuous duty life of 77,000 hours at 40°C

### Additional Features:

Brushless DC Motor  
 Polarity Protected  
 Automatic Restart Capability  
 Locked Rotor Protection  
 Bipolar Output FPS  
 Thermal Speed Control: PTC in Hub  
 Operating Temperature: -10°C to +70°C  
 Storage Temperature: -40°C to +85°C

### Fan Performance Sensor: FPS

Power Supply: 5 vdc  
 Isolated: Yes  
 Delay: 10 ± 4 seconds  
 Latching: Yes  
 Trip Point: 1500 ± 300 RPM  
 Pass Level: 2.75 Min. to 5.50 Max. Vdc  
 Fail Level: 0.00 Min. to 2.25 Max. Vdc

### Termination:

26" Leadwires, AWG 22, UL 1061

Red/White	= Fan Power (+)
Black/White	= Fan Return (-)
Red	= FPS Power (+)
Black	= FPS Return (-)
Blue	= FPS Output