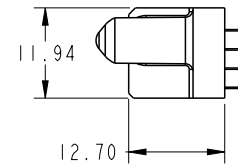
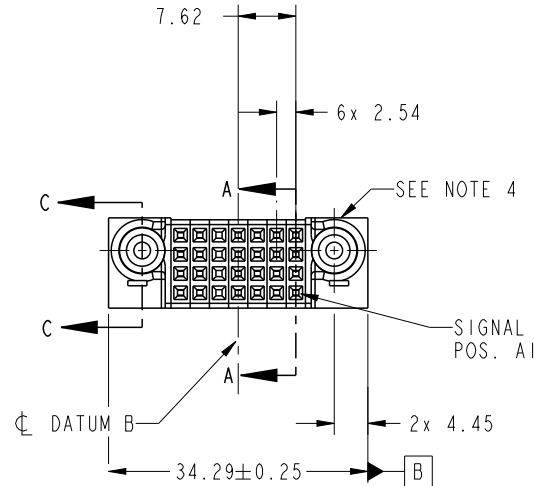


PRODUCT NO.	ROWS	SIGNAL								
		E2	7	6	5	4	3	2	1	E1
51940-518-- NOTE: 3	D		E	E	X	E	E	E	E	E
	C		E	E	X	E	E	E	E	E
	B		E	E	X	E	E	E	E	E
	A		E	E	X	E	E	E	E	E

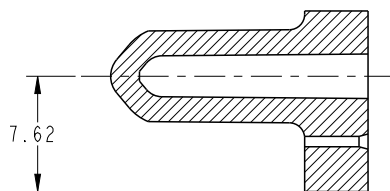
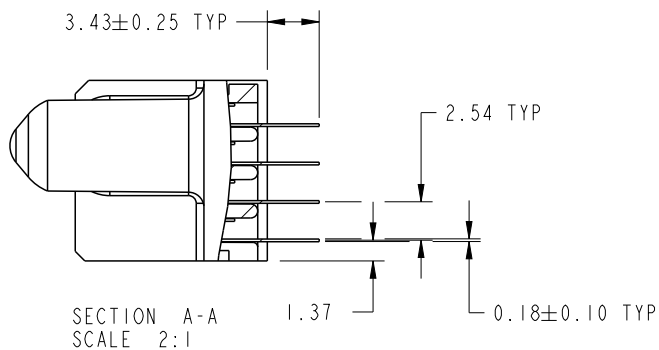


CODE	DIM "M" MATING LENGTH	CONTACT TYPE
E	[N/A]	SIGNAL
X	OMITTED	

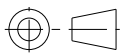


spec ref	*	dr	Ruan MT	2013/11/26	projection	MM	size	A4	scale	1:1
tolerance std	TOLERANCES UNLESS OTHERWISE SPECIFIED	eng	Ruan MT	2014/01/07			ecn no	-		
SEE NOTE		chr	-	-	product family			PwrBlade	rel level	Released
surface	✓	appr	Pei-Ming Zheng	2014/01/07		title	28S			www.fci.com
linear		0.X	±0.5	title VERTICAL SOLDER RECEPT			cat. no.	*		
angular	0°	±2°	title 28S		cat. no.	*			Product - Customer Drw	sheet 1 of 4
						dwg no 51940-518	rev A			

PRODUCT NUMBER

51940-518__
NOTE: 3



SECTION C-C
SCALE 2:1

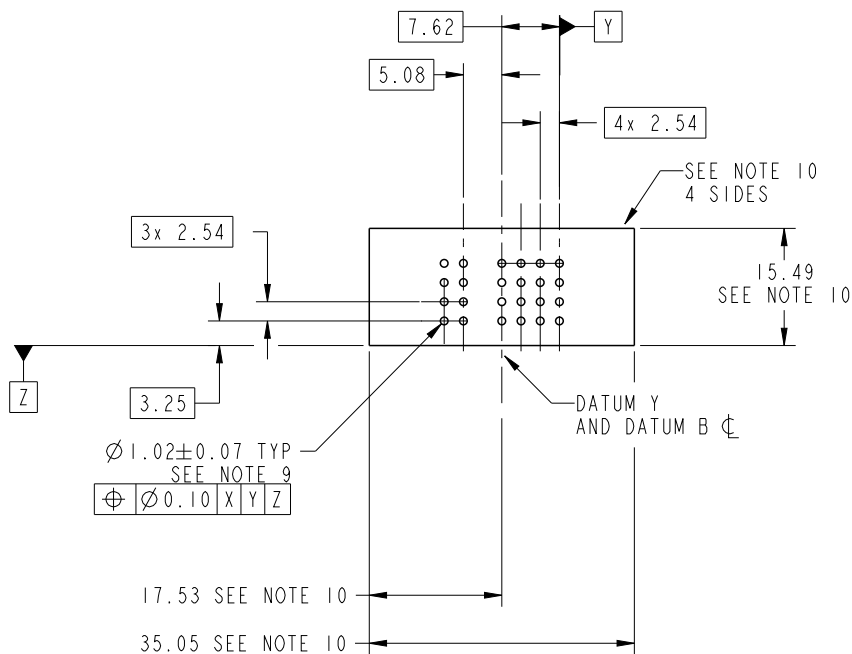
dr	Ruan MT	2013/11/26	projection 	MM 	size	A4	scale	1:1
eng	Ruan MT	2014/01/07			ecn no	-		
chr	-	-			rel level	Released		
appr	Pei-Ming Zheng	2014/01/07	product family	PwrBlade				
		title 28S VERTICAL SOLDER RECEPT	dwg no 51940-518	rev A				
www.fci.com		cat. no. *	Product - Customer Drw		sheet 2 of 4			



Copyright FCI.

PRODUCT NUMBER

51940-518__
NOTE: 3



RECOMMENDED PCB LAYOUT

dr	Ruan MT	2013/11/26	projection 	MM 	size	A4	scale	1:1
eng	Ruan MT	2014/01/07			ecn no	-		
chr	-	-			rel level	Released		
appr	Pei-Ming Zheng	2014/01/07	product family	PwrBlade				
	title	28S VERTICAL SOLDER RECEPT		dwg no	51940-518		rev	A
www.fci.com	cat. no.	*	Product - Customer Drw		sheet 3 of 4			

PRODUCT NUMBER

51940-518__
NOTE: 3

NOTES:

1. DIMENSIONS AND TOLERANCES ARE IN ACCORDANCE WITH ASME Y14.5M, 1994 UNLESS OTHERWISE SPECIFIED.

CONNECTOR NOTES:

- ② HOUSING MATERIAL: UL 94 V-0 GLASS FILLED HIGH-TEMP THERMOPLASTIC
POWER CONTACT MATERIAL: COPPER ALLOY
SIGNAL PIN MATERIAL: COPPER ALLOY
- 3. SEE ITEM 5 & 6 IN PRINT 10064183 FOR PLATING SPEC OF 51940-518 AND 51940-518LF RESPECTIVELY.
- ④ MANUFACTURER'S NAME, DATE CODE AND OPTIONAL P/N TO APPEAR ON THIS SURFACE. THE MARK CAN BE OMITTED IF THERE IS NOT ENOUGH SPACE ON THIS SURFACE.
- 5. PRODUCT SPECIFICATION GS-12-149.
APPLICATION SPECIFICATION BUS-20-067.
- 6. PACKAGED IN TRAYS.
- PCB NOTES:
- 7. ALL HOLE DIAMETERS ARE FINISHED HOLE SIZE.
- ⑧ MOUNTING HOLES, WHERE APPLICABLE, ARE UNPLATED.
- ⑨ $\varnothing 1.151 \pm 0.025$ DRILLED HOLES PLATED WITH
0.008 MIN SnPb OR Sn OVER 0.03
TO 0.08 Cu PLATING TO ACHIEVE
 $\varnothing 1.02 \pm 0.07$ HOLE.
- ⑩ CONNECTOR KEEP-OUT ZONE.
- 11. THE VOID CORING IN BETWEEN POWER MODULES, SIGNAL MODULES AND END MODULES ARE OPTIONAL AND THE SHAPE MAY BE DIFFERENT FOR OPTIMIZE THE MOLDING PROCESS. THE VOID CORING WILL NOT EFFECT TO PRODUCT FUNCTION.



Copyright FCI.

dr	Ruan MT	2013/11/26	projection 	MM 	size	A4	scale	1:1	
eng	Ruan MT	2014/01/07			ecn no	-			
chr	-	-							
appr	Pei-Ming Zheng	2014/01/07	product family	PwrBlade	rel level	Released			
		title	28S VERTICAL SOLDER RECEPT		dwg no	51940-518		rev	A
www.fci.com		cat. no.	*	Product - Customer Drw			sheet 4 of 4		