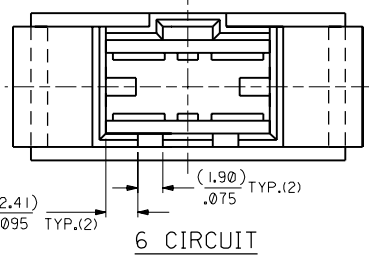
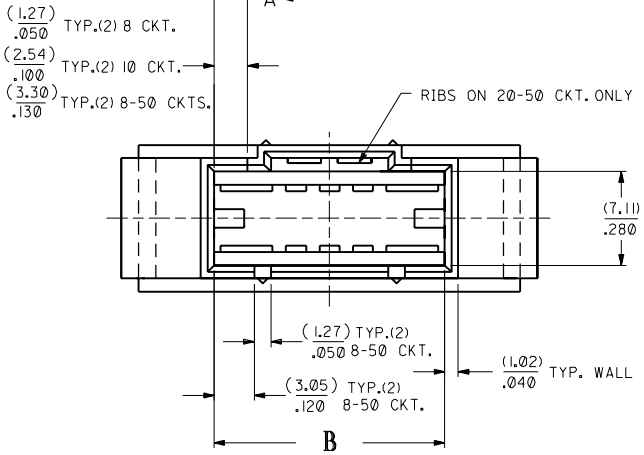
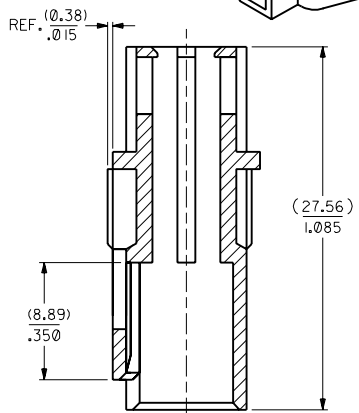
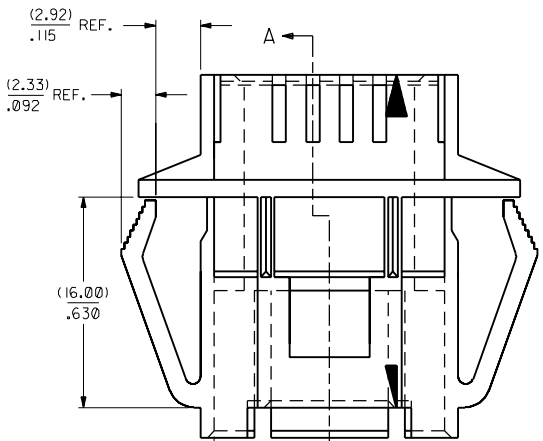
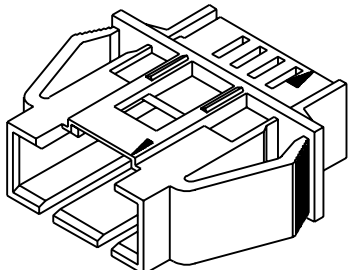
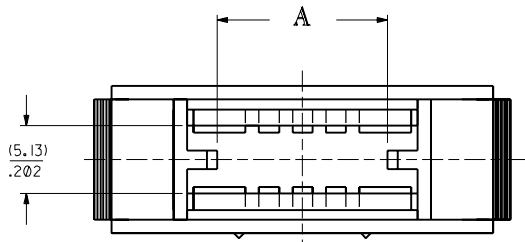


OPTION "A"

- NOTES:
 1) MATERIAL: POLYESTER 94V-0, GLASS FILLED,
 COLOR: BLACK
 2) SEE CHART FOR CIRCUIT SIZES.
 3) HOUSING TO BE USED WITH 70475 SERIES HOUSINGS
 (OPTION D) AND DUAL ROW INTERIM CLIP 70013-N*.
 SEE PAGE 4 FOR ADDITIONAL 50 CIRCUIT, OPTION
 "A" MATING INTERIM CLIPS.
 4) PANEL THICKNESS (0.81)/.032 - (2.36)/.093.
 5) PACKAGE PER PK-70022-100.



| OPTION "A" | | | | |
|------------|------------|--------------|---------------|---------------|
| CKT. SIZE | EDP. NO. | ENG. NO. | DIM. "A" | DIM. "B" |
| 4 | NOT TOOLED | X-70022-0009 | (5.21) .205 | (9.91) .390 |
| 6 | 50-65-0006 | 70022-0001 | (7.75) .305 | (12.45) .490 |
| 8 | 50-65-0008 | 70022-0007 | (10.29) .405 | (14.99) .590 |
| 10 | 50-65-0010 | 70022-0002 | (12.83) .505 | (17.53) .690 |
| 12 | 50-65-0012 | 70022-0012 | (15.37) .605 | (20.07) .790 |
| 14 | 50-65-0014 | 70022-0014 | (17.91) .705 | (22.61) .890 |
| 16 | 50-65-0016 | 70022-0016 | (20.45) .805 | (25.15) .990 |
| 18 | 50-65-0018 | 70022-0018 | (22.99) .905 | (27.69) 1.090 |
| 20 | 50-65-0020 | 70022-0003 | (25.53) 1.005 | (30.23) 1.190 |
| 22 | 50-65-0022 | 70022-0022 | (28.07) 1.105 | (32.77) 1.290 |
| 24 | 50-65-0024 | 70022-0024 | (30.61) 1.205 | (35.31) 1.390 |
| 26 | 50-65-0026 | 70022-0026 | (33.15) 1.305 | (37.85) 1.490 |
| 28 | 50-65-0028 | 70022-0028 | (35.69) 1.405 | (40.39) 1.590 |
| 30 | 50-65-0030 | 70022-0004 | (38.23) 1.505 | (42.93) 1.690 |
| 32 | 50-65-0032 | 70022-0032 | (40.77) 1.605 | (45.47) 1.790 |
| 34 | 50-65-0034 | 70022-0034 | (43.31) 1.705 | (48.01) 1.890 |
| 36 | 50-65-0036 | 70022-0036 | (45.85) 1.805 | (50.55) 1.990 |
| 38 | 50-65-0038 | 70022-0038 | (48.39) 1.905 | (53.09) 2.090 |
| 40 | 50-65-0040 | 70022-0005 | (50.93) 2.005 | (55.63) 2.190 |
| 42 | 50-65-0042 | 70022-0042 | (53.47) 2.105 | (58.17) 2.290 |
| 44 | 50-65-0051 | 70022-0044 | (56.01) 2.205 | (60.71) 2.390 |
| 46 | 50-65-0046 | 70022-0046 | (58.55) 2.305 | (63.25) 2.490 |
| 48 | 50-65-0048 | 70022-0048 | (61.09) 2.405 | (65.79) 2.590 |
| 50 | 50-65-0050 | 70022-0006 | (63.63) 2.505 | (68.33) 2.690 |

| | | | | | |
|--|--|--|--|--|--|
| ADDITIONAL SHEET 4 50 CKT. MATED OPT. ENC. U00986 11/27/93 HPA REVISIONS 1-11-94 MJK 1-11-94 MJK 1-11-94 MJK | | DIMENSIONS SHOWN METRIC (INCH) UNLESS OTHERWISE SPECIFIED TOLERANCES ANGULAR ± 1/2° INCH METRIC 3 PLACE ± .010 --- 2 PLACE ± .014 ± 0.25 1 PLACE --- ± 0.35 | | TITLE HOUSING, PANEL MOUNT (DUAL ROW) (OPT. D HSG. TO DUAL ROW CLIP) | |
| ADD PKG NOTE PER UDT2000-0468 SCHAFFER 93/12/1 | | REPLACES SD-70022-0001-0040 PER ECR 1-09-90 06-28-90 MJM/DJK | | MOLEX INCORPORATED LITTLE FALLS, N.J. 07643 SHEET NO. 4 OF 4 DATE 06/28/90 | |
| DRAFT WHERE APPLICABLE MUST REMAIN WITHIN DIMENSIONS | | DRG. NO. DJK DRG. BY MJM SCALE 4:1 | | SEE CHART SD-70022-***** | |
| LTR. REVISIONS | | LTR. REVISIONS | | THIS DRAWING CONTAINS INFORMATION THAT IS PROPRIETARY TO MOLEX INC. AND SHOULD NOT BE USED WITHOUT WRITTEN PERMISSION. | |