

THE INFORMATION CONTAINED HEREIN IS CONSIDERED "PROPRIETARY" TO BEL FUSE INC. AND SHALL NOT BE COPIED, REPRODUCED OR DISCLOSED WITHOUT THE WRITTEN APPROVAL OF BEL FUSE INC.

RoHS



LED 2 & 4 POLARITY			LED 1 & 3 POLARITY		
PIN 11	PIN 12	COLOR	PIN 13	PIN 14	COLOR
-	+	YELLOW	-	+	YELLOW
+	-	GREEN	+	-	GREEN

**ELECTRICAL CHARACTERISTICS @ 25°C**

**TURNS RATIO**

TP1	1CT : 1CT	±2%
TP2	1CT : 1CT	±2%
TP3	1CT : 1CT	±2%
TP4	1CT : 1CT	±2%

**OCL @ 100kHz/100mVRMS (0°C-70°C)**

8mA DC BIAS 350µH MIN.

**INS. LOSS**

0.1MHz TO 1MHz	-1.1 dB MAX
1MHz TO 65MHz	-0.5 dB MAX
65MHz TO 100MHz	-0.8 dB MAX
100MHz TO 125MHz	-1.2 dB MAX

**RET. LOSS (MIN)**

0.5MHz-40MHz	-18 dB
40MHz-100MHz	-12+20LOG(f/80MHz) dB

**CM TO CM REJ**

100kHz - 100MHz -30 dB MIN

**CM TO DM REJ**

100kHz - 100MHz -35 dB MIN

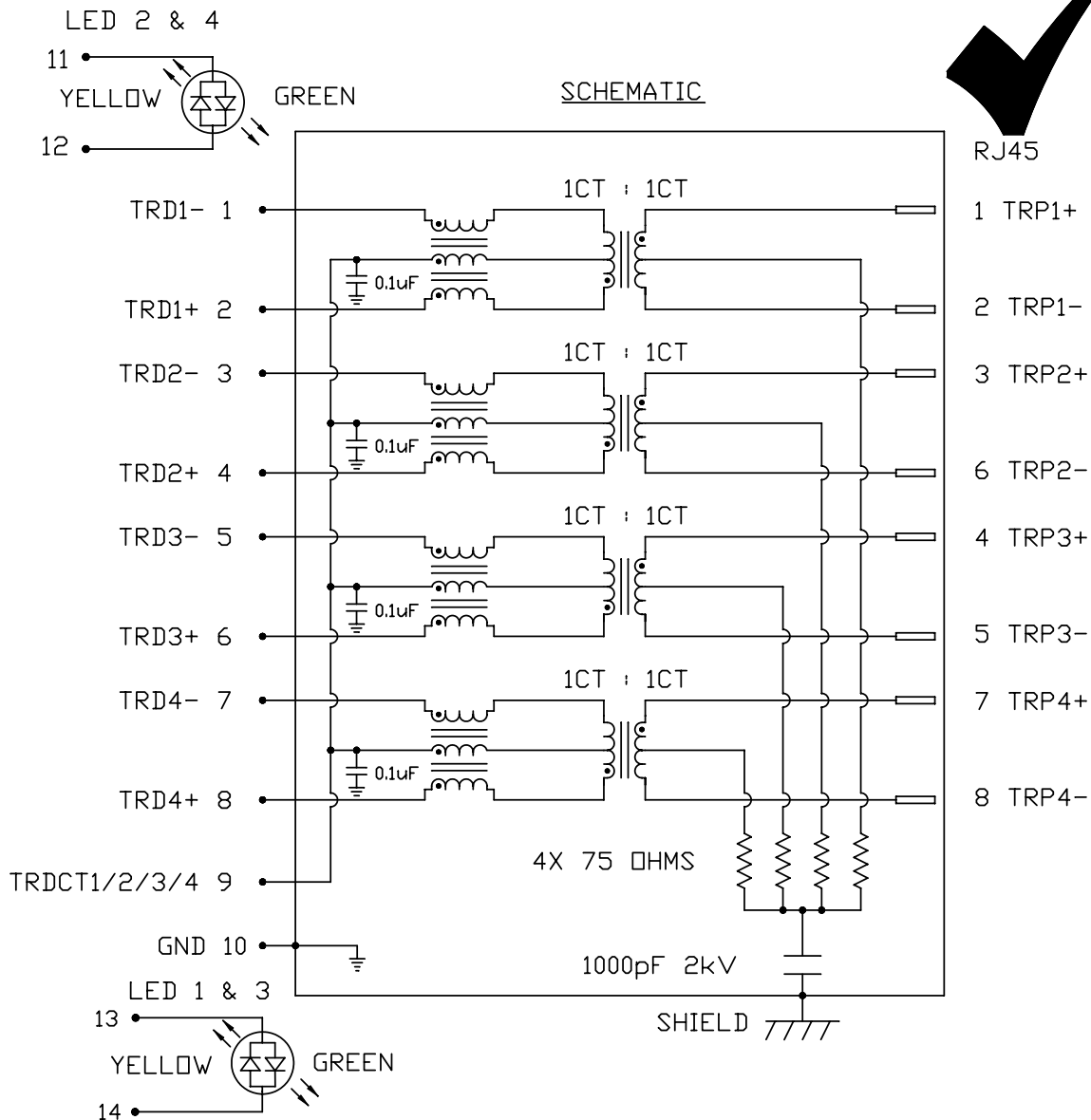
**HIPOT (Isolation Voltage):**

1500 Vrms

100% OF PRODUCTION TESTED TO COMPLY WITH IEEE 802.3 ISOLATION REQUIREMENTS.

**LEDS 1, 2, 3 AND 4**

VF (FORWARD VOLTAGE)	IF=20mA GREEN 2.2V TYP.
	IF=20mA YELLOW 2.1V TYP.
λD (DOMINANT WAVELENGTH)	IF=20mA GREEN 565nm TYP.
	IF=20mA YELLOW 590nm TYP.



ORIGINATED BY	DATE
CHOW WANCHUNG	2012-08-29
DRAWN BY	DATE
TAN QIGUANG	2012-08-29

**TITLE**  
2X1 gigabit MagJack®  
WITH UPPER AND LOWER LED  
(8 Cores)  
PATENTED

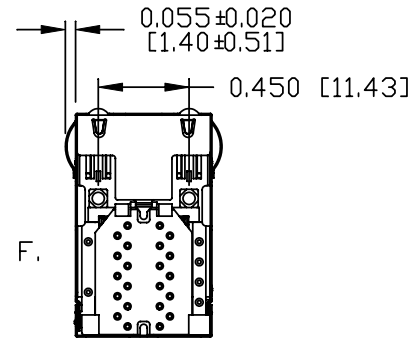
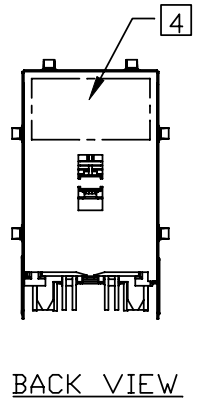
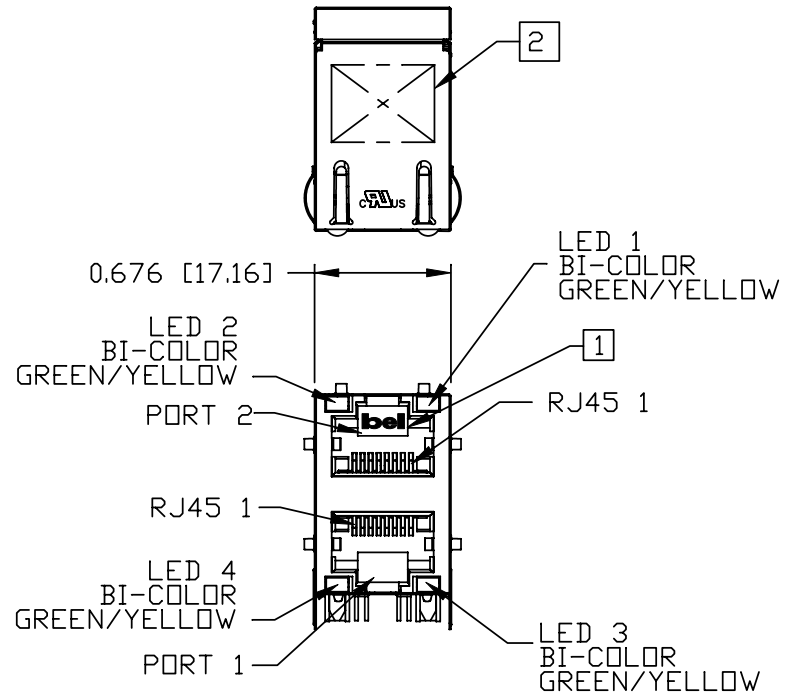
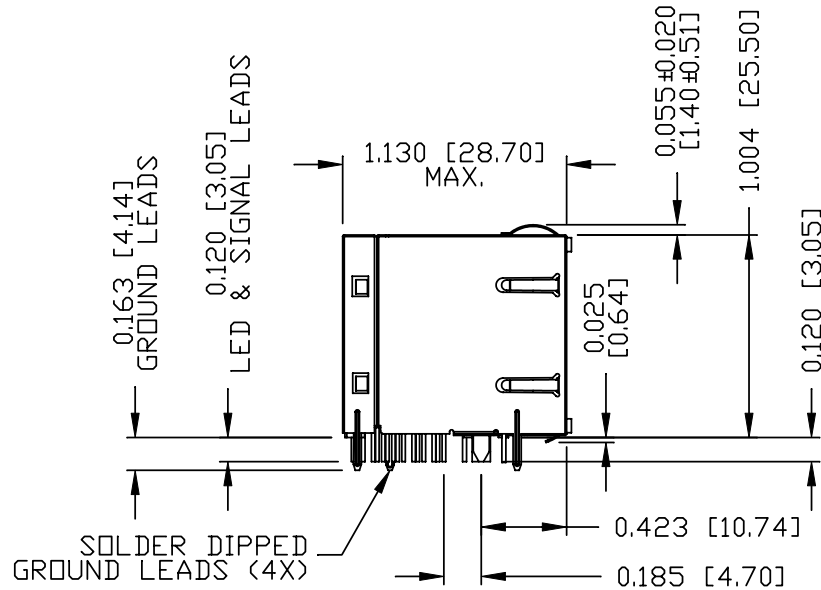
PART NO. / DRAWING NO.
0879-2C1R-54
FILE NAME
0879-2C1R-54_B.DWG

STANDARD DIM. TOL. IN INCH	[ ] METRIC DIM. AS REFERENCE
.X	UNIT : INCH [mm] REV. : B
.XX	SCALE : N/A SIZE : A4
.XXX	PAGE : 2



THE INFORMATION CONTAINED HEREIN IS CONSIDERED "PROPRIETARY" TO BEL FUSE INC. AND SHALL NOT BE COPIED, REPRODUCED OR DISCLOSED WITHOUT THE WRITTEN APPROVAL OF BEL FUSE INC.

RoHS



NOTES:

- PLASTIC HOUSING: THERMOPLASTIC PBT  
FLAMMABILITY RATING UL 94V-0
- CONTACT PLATING: 50 MICRO-INCH HARD GOLD PLATING OR EQUIVALENT.
- OUTPUT PINS: TIN-COATED COPPER WIRE, DIA 0.018 INCH.
- METAL SHIELD: NICKEL PLATED ON COPPER ALLOY.  
(ALL GROUND LEADS ARE SOLDER DIPPED)

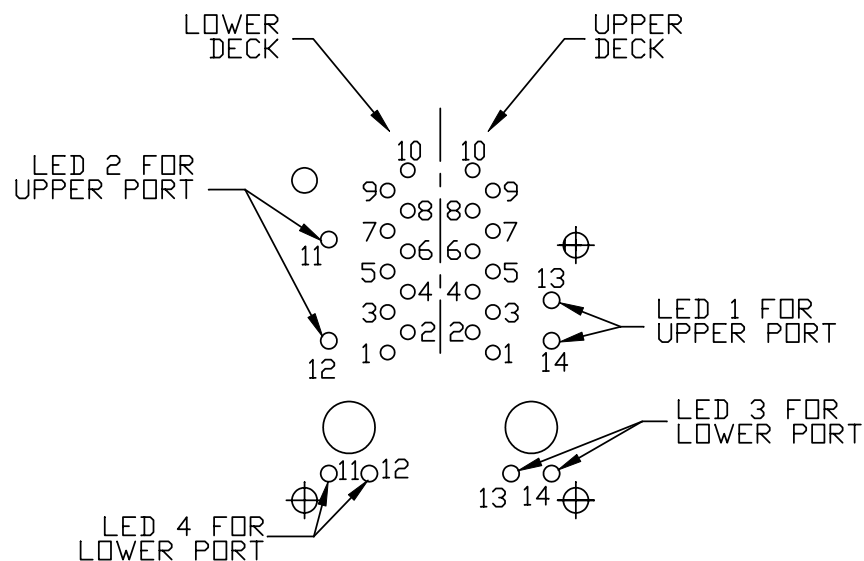
- [1] JACK CAVITY CONFORMS TO FCC RULES AND REGULATIONS, PART 68 SUBPART F.
- [2] MARK PART WITH MFG LOGO, MFG NAME, PART NUMBER, AND DATE CODE.
3. THE PRODUCT IS RoHS COMPLIANT.
4. MARKING "PATENTED".
5. THE PRODUCT IS PATENTED. THE PATENT NUMBER ARE U.S. PAT. 5,736,910 AND U.S. PAT. 6,840,817 AND U.S. PAT. 7,123,117.

UsUL RECOGNIZED - FILE #E196366 AND E169987.

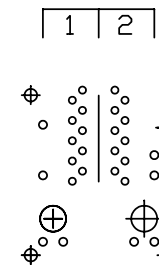
ORIGINATED BY ANTON LIAO	DATE 2012-08-29	TITLE 2X1 glgabit MagJack® WITH UPPER AND LOWER LED (8 Cores) PATENTED	PART NO. / DRAWING NO. 0879-2C1R-54		STANDARD DIM. TOL. IN INCH		[ ] METRIC DIM. AS REFERENCE	
			FILE NAME 0879-2C1R-54_B.DWG		.X .XX .XXX	±0.010	UNIT : INCH [mm]	REV. : B
DRAWN BY HE ZHEN	DATE 2012-08-29					SCALE : N/A	SIZE : A4	 COMPONENTS FOR A CONNECTED PLANET
							PAGE : 3	

THE INFORMATION CONTAINED HEREIN IS CONSIDERED "PROPRIETARY" TO BEL FUSE INC. AND SHALL NOT BE COPIED, REPRODUCED OR DISCLOSED WITHOUT THE WRITTEN APPROVAL OF BEL FUSE INC.

RoHS

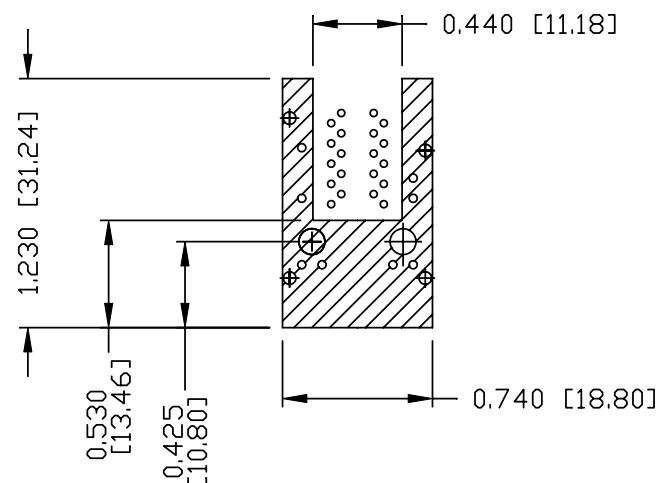


PORT ASSIGNMENT  
(COMPONENT SIDE VIEW)



PIN-OUT INFORMATION  
(COMPONENT SIDE VIEW)

14	YEL (+)/GRN (-)
13	YEL (-)/GRN (+)
12	YEL (+)/GRN (-)
11	YEL (-)/GRN (+)
10	GND
9	TRCT1/2/3/4
8	TRD 4+
7	TRD 4-
6	TRD 3+
5	TRD 3-
4	TRD 2+
3	TRD 2-
2	TRD 1+
1	TRD 1-



THE SHADED AREA ON THE CUSTOMER BOARD ARE RECOMMENDED TO BE CLEAR OFF ANY VIA HOLE OR COMPONENT PAD.

ORIGINATED BY ANTON LIAO	DATE 2012-08-29
DRAWN BY HE ZHEN	DATE 2012-08-29

TITLE  
2X1 gigabit MagJack®  
WITH UPPER AND LOWER LED  
(8 Cores)  
PATENTED

PART NO. / DRAWING NO. 0879-2C1R-54
FILE NAME 0879-2C1R-54_B.DWG

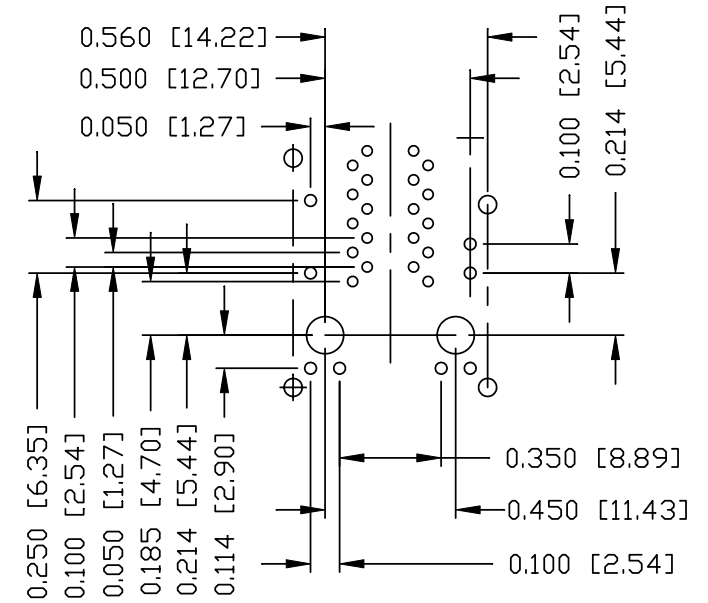
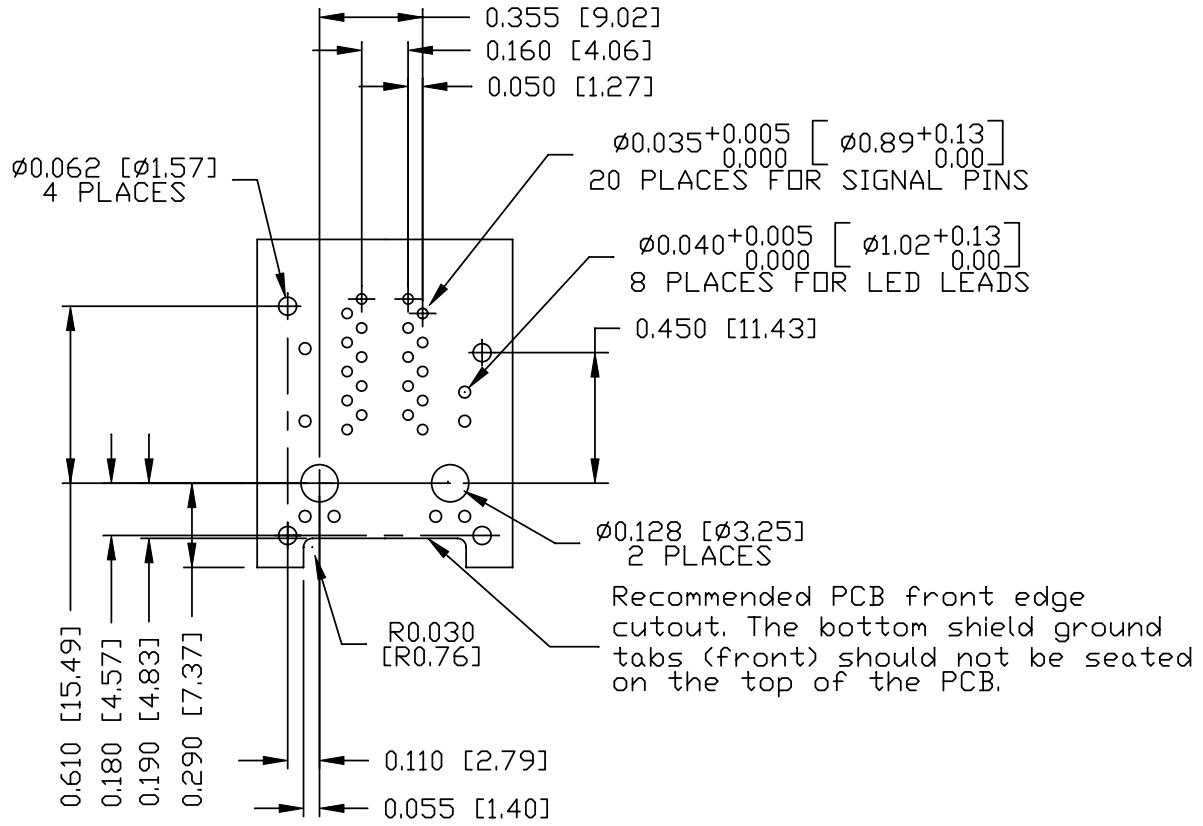
STANDARD DIM. TOL. IN INCH	
.X	/
.XX	/
.XXX	±0.004

[ ] METRIC DIM. AS REFERENCE	REV. : B
UNIT : INCH [mm]	SIZE : A4
SCALE : N/A	PAGE : 4



THE INFORMATION CONTAINED HEREIN IS CONSIDERED "PROPRIETARY" TO BEL FUSE INC. AND SHALL NOT BE COPIED, REPRODUCED OR DISCLOSED WITHOUT THE WRITTEN APPROVAL OF BEL FUSE INC.

RoHS

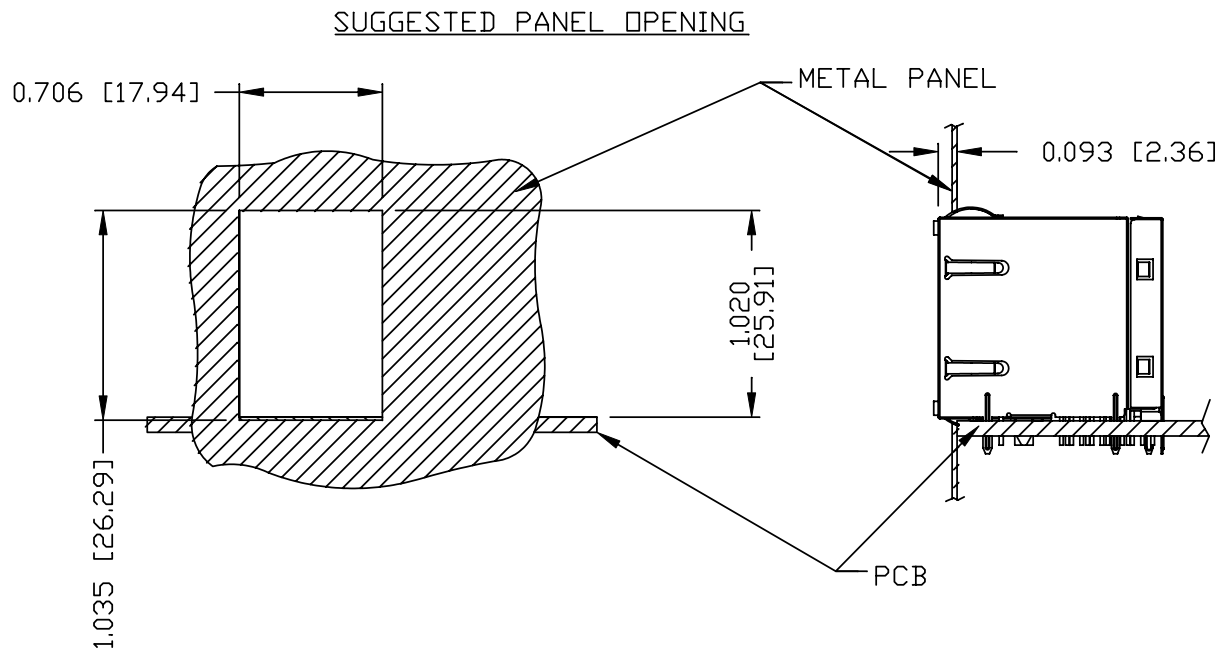
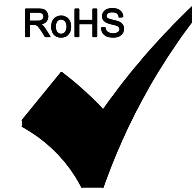


SUGGESTED FOOTPRINT  
(COMPONENT SIDE VIEW)

ORIGINATED BY ANTON LIAO	DATE 2012-08-29	TITLE 2X1 gigabit MagJack® WITH UPPER AND LOWER LED (8 Cores) PATENTED	PART NO. / DRAWING NO. 0879-2C1R-54	STANDARD DIM. TOL. IN INCH		[ ] METRIC DIM. AS REFERENCE		 COMPONENTS FOR A CONNECTED PLANET
	DRAWN BY HE ZHEN			DATE 2012-08-29	FILE NAME 0879-2C1R-54_B.DWG	.X		
				.XX		SCALE : N/A	SIZE : A4	
				.XXX	$\pm 0.004$		PAGE : 5	

THE INFORMATION CONTAINED HEREIN IS CONSIDERED "PROPRIETARY" TO BEL FUSE INC. AND SHALL NOT BE COPIED, REPRODUCED OR DISCLOSED WITHOUT THE WRITTEN APPROVAL OF BEL FUSE INC.

RoHS



NOTE:

THE DISTANCE OF PANEL INSIDE SURFACE RELATIVE TO FRONT SURFACE OF PART IS ONLY A SUGGESTION. IN CASE THIS DISTANCE IS DIFFERENT, THE REQUIRED PANEL OPENING DIMENSIONS CHANGE ACCORDINGLY.

PACKING INFORMATION

PACKING TRAY : 0200-9999-P8 (TOP)  
0200-9999-P9 (BOTTOM)

PACKING QUANTITY : 40 PCS FINISHED GOODS PER TRAY  
7 TRAYS (280 PCS FINISHED GOODS) PER CARTON BOX

NOTE : CARDBOARDS ARE PLACED BETWEEN LAYERS OF PACKING TRAY INSIDE CARTON BOX  
(INCLUDE THE UPPERMOST AND LOWERMOST TRAY)

ORIGINATED BY ANTON LIAO	DATE 2012-08-29	TITLE 2X1 gigabit MagJack® WITH UPPER AND LOWER LED (8 Cores) PATENTED	PART NO. / DRAWING NO. 0879-2C1R-54	STANDARD DIM.		[ ] METRIC DIM. AS REFERENCE		bel
				TOL. IN INCH		UNIT : INCH [mm]	REV. : B	
DRAWN BY HE ZHEN	DATE 2012-08-29		FILE NAME 0879-2C1R-54_B.DWG	.X		SCALE : N/A	SIZE : A4	COMPONENTS FOR A CONNECTED PLANET
				.XX			PAGE : 6	
				.XXX	±0.004			