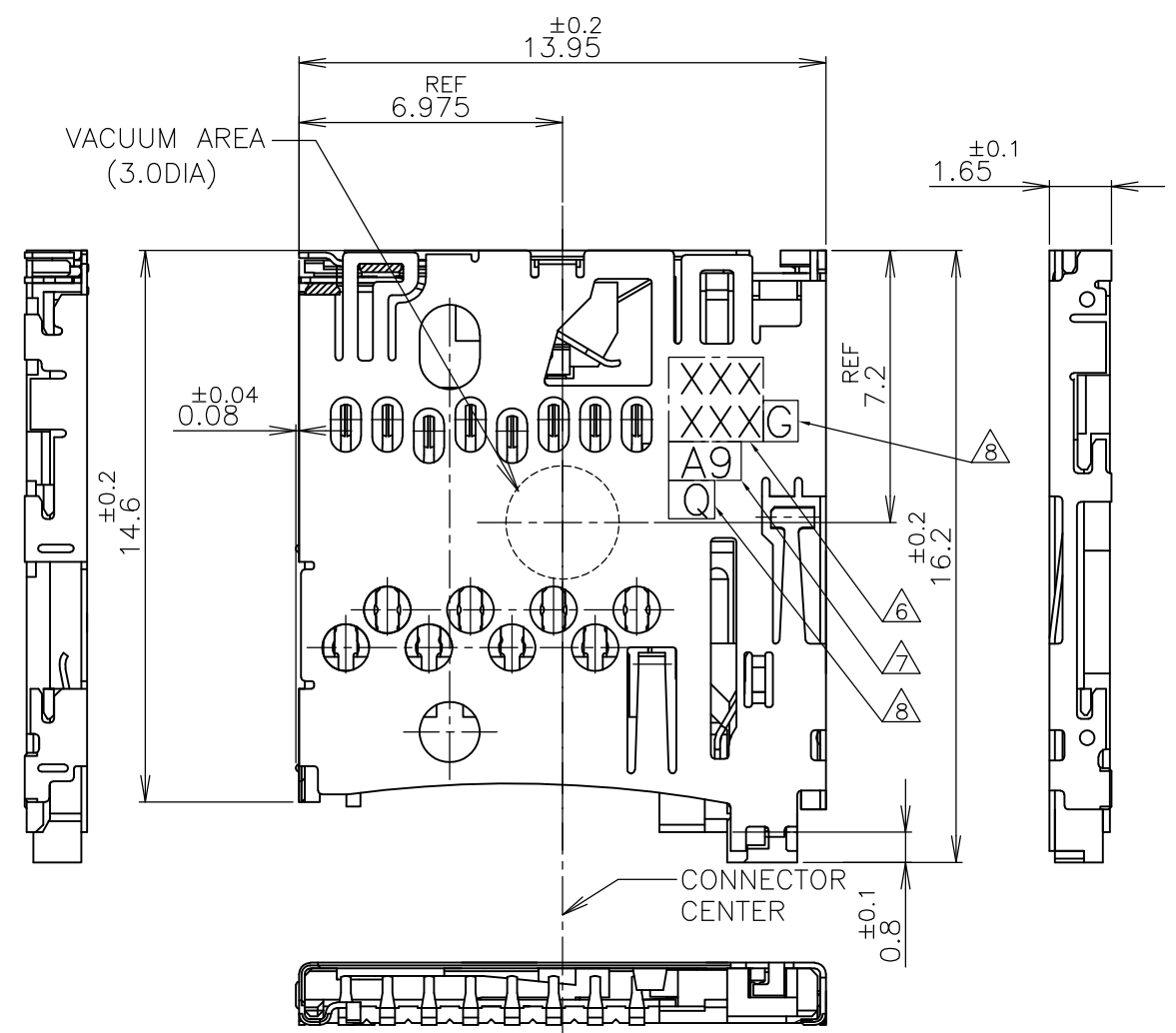
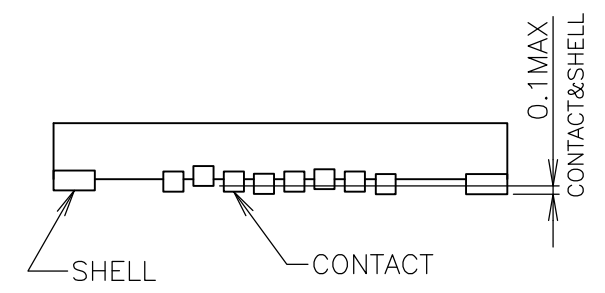


THIS DRAWING IS UNPUBLISHED. RELEASED FOR PUBLICATION MAY, 2011.  
 © COPYRIGHT 2011 By Tyco Electronics Japan G.K. ALL RIGHTS RESERVED.

LOC	DIST	REVISIONS		
		P	LTR	DESCRIPTION
J	/		B	REVISED
				DATE
				DWN
				APVD
				16SEP2015
				M.T
				K.K



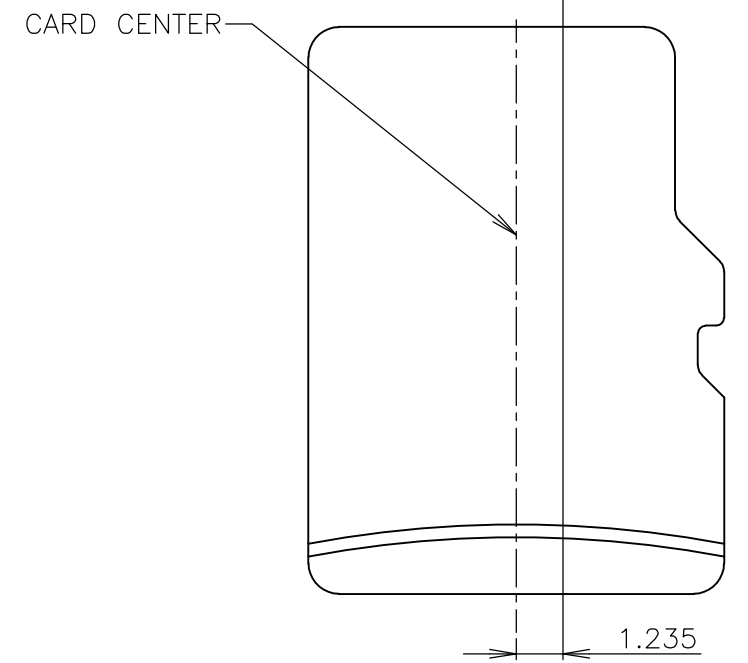
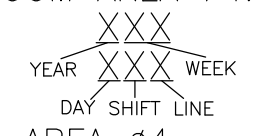
- 1.材料 ハウジング、スライダ：熱可塑性樹脂 UL 94-V 色：黒  
 コントクト：銅合金  
 シェル：銅合金  
 コイル：SWP  
 カムロッド：SUS  
 フックスプリング：SUS
- 2 仕上げ コントクト：Ni下地めっき  
 接点部：金めっき  
 シェル：Ni下地めっき  
 金めっき



- ③ 非累積公差  
 4. コプラナリティは 0.1mm以下  
 ⑤ スイッチ回路図  
 ⑥ デートコードマーキングすること。吸着エリアφ4にはマーキングしないこと。  
 ⑦ バージョンマーキングすること。吸着エリアφ4にはマーキングしないこと。  
 ⑧ 生産場所コード：“G”：GUANGDONG，“Q”：QINGDAO.

- 1.MATERIAL HOUSING,SLIDER : THERMOPLASTIC RESIN  
 UL94V-0, COLOR;BLACK  
 CONTACT : COPPER ALLOY  
 SHELL : COPPER ALLOY  
 COIL : SWP  
 CAM ROD : SUS  
 HOOK SPRING : SUS
- 2 FINISH CONTACT : Ni UNDER PL  
 Au PL AT CONTACT AREA  
 SHELL : Ni UNDER PL  
 Au PL

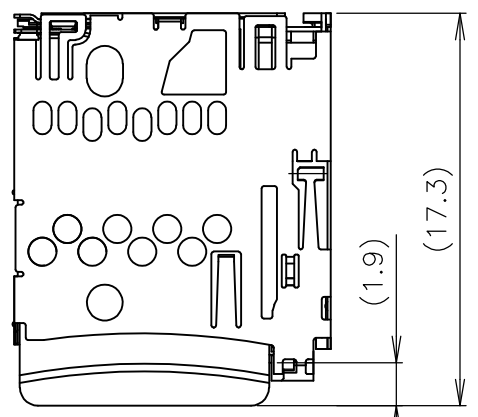
- ③ NON-CUMULATIVE TOLERANCE  
 4. COPLANARITY IS 0.1MAX.  
 ⑤ CIRCUIT DRAWING OF SWITCH.  
 ⑥ MARK DATE CODE. MUST NOT MARK AT VACUUM AREA φ4.
- ⑦ MARK VERSION. MUST NOT MARK AT VACUUM AREA φ4.  
 (MASS PRO) AX (PROTO) P1→P2→PX
- ⑧ PRODUCTION LOCATION CODE: "G" FOR GUANGDONG, "Q" FOR QINGDAO.



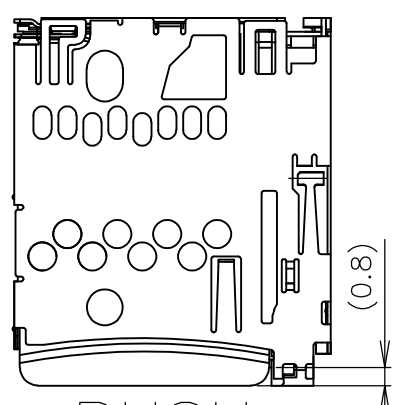
THIS DRAWING IS A CONTROLLED DOCUMENT.		DWN Y.KUDO 21MAY2012	<b>STE</b> TE Connectivity	
DIMENSIONS: 単位： 耗 MM		CHK K.KOBAYASHI 21MAY2012		
TOLERANCES UNLESS OTHERWISE SPECIFIED: 一般公差		APVD T.KUSUHARA 21MAY2012	NAME 名称	
0 PLC ± 0.3		PRODUCT SPEC 製品規格	MICRO SD	
1 PLC ± 0.3		APPLICATION SPEC 取付適用規格	PUSH PUSH LOW PROFILE TYPE	
2 PLC ± 0.3		WEIGHT 0.45g	SIZE A3	CAGE CODE 00779
3 PLC ± 0.3		CUSTOMER DRAWING	DRAWING NO 番号 G-2201778	
4 PLC ± 0.3			SCALE 尺度 5:1	SHEET 1 OF 4
ANGLES ± 1°				
FINISH 仕上				
MATERIAL 材料				
2201778-1				
PART NUMBER				

THIS DRAWING IS UNPUBLISHED. RELEASED FOR PUBLICATION MAY, 2005.  
 © COPYRIGHT 2005 By Tyco Electronics Japan G.K. ALL RIGHTS RESERVED.

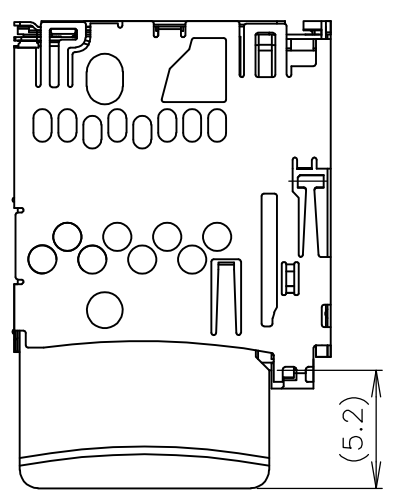
LOC	DIST	REVISIONS					
J	/	P	LTR	DESCRIPTION	DATE	DWN	APVD
		-	-	SEE SHEET 1	-	-	-



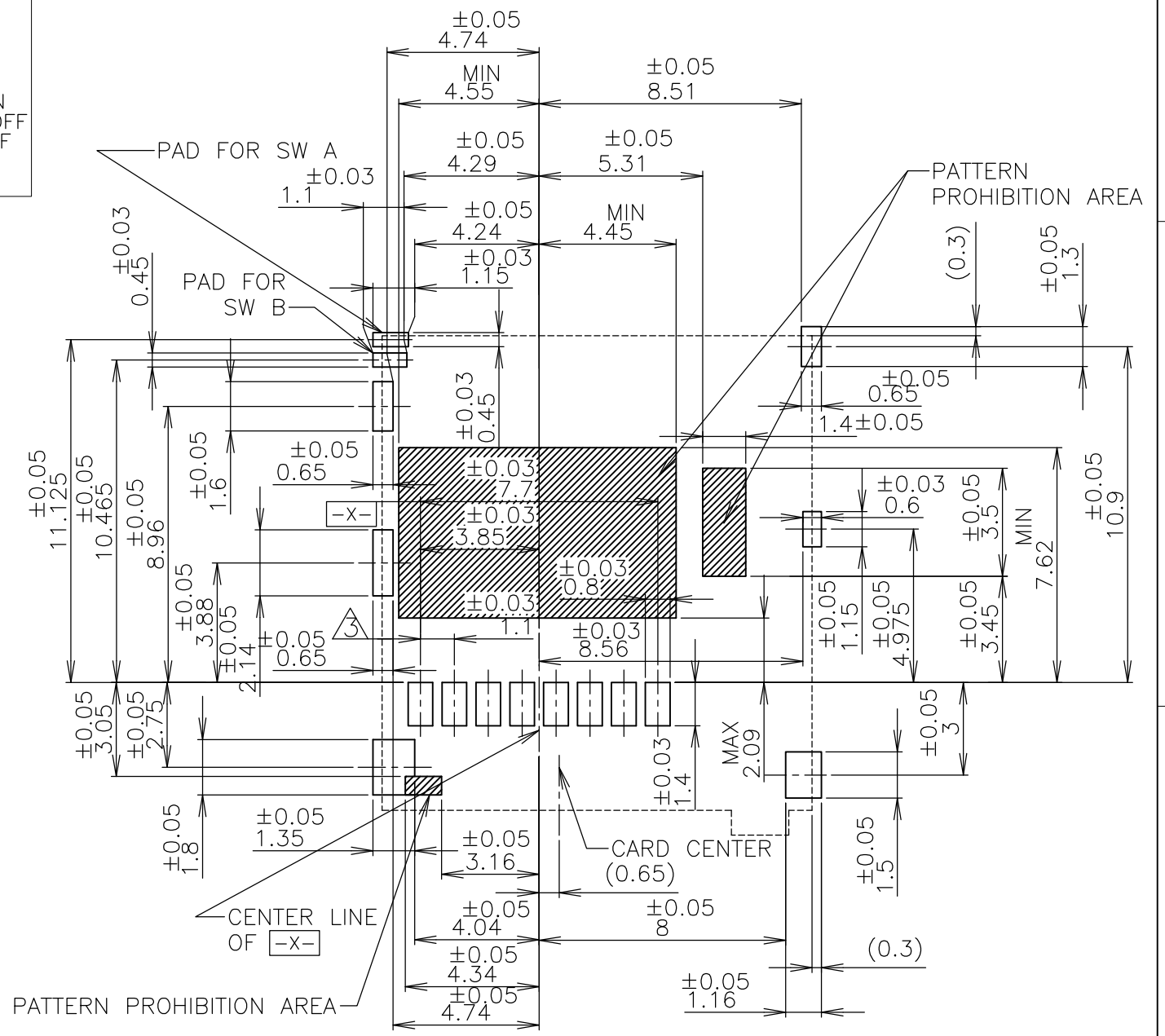
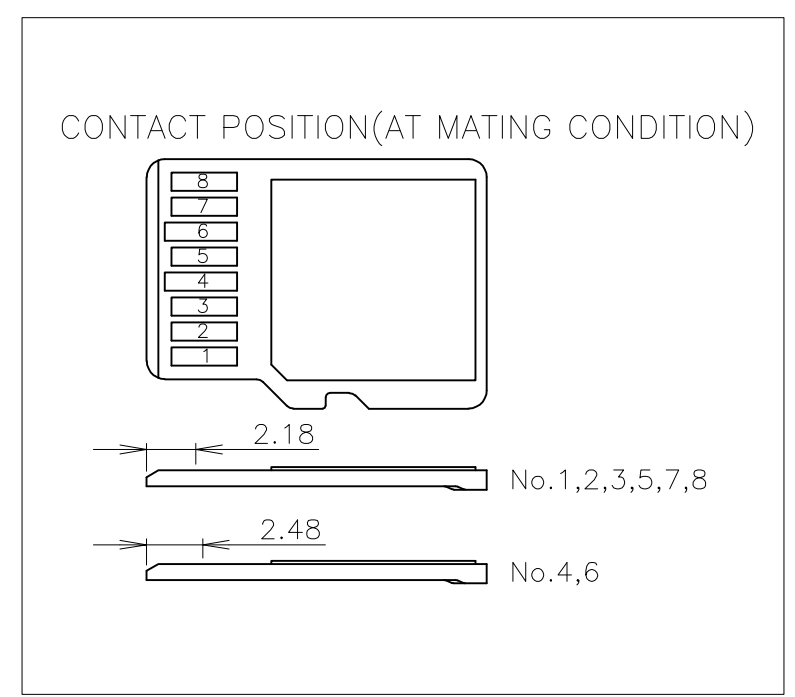
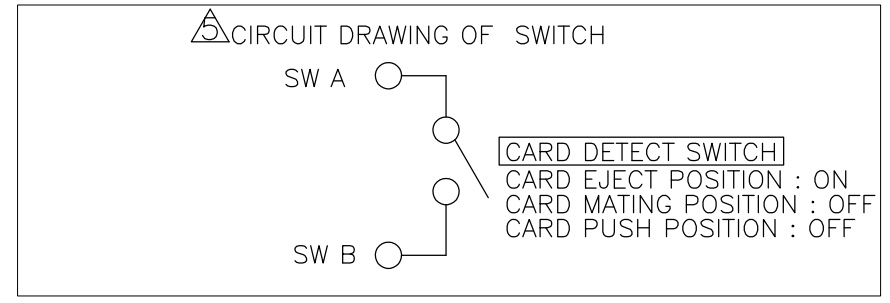
MATING



PUSH



EJECT



PCB LAYOUT(REFERENCE)  
(VIEWED FROM CONNECTOR MOUNT SIDE)

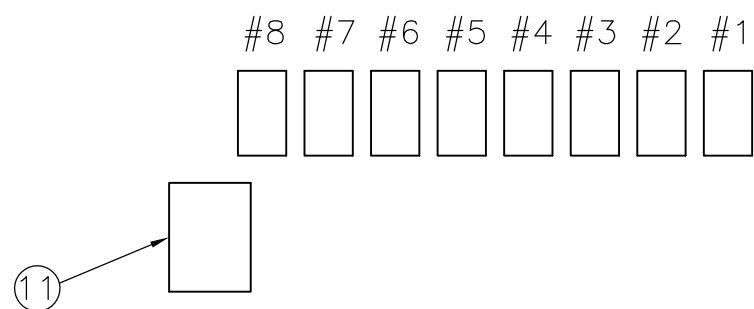
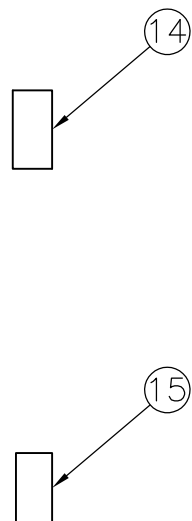
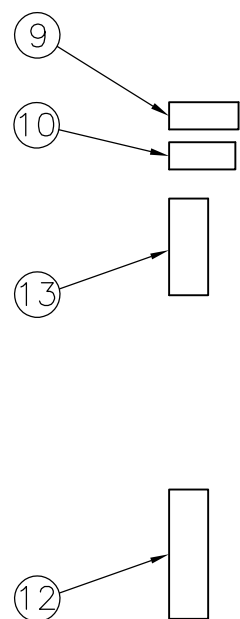
THIS DRAWING IS A CONTROLLED DOCUMENT.		DWN	TE Connectivity		
DIMENSIONS: 単位: 耗 MM		CHK	NAME 名称		
TOLERANCES UNLESS OTHERWISE SPECIFIED: 一般公差		APVD	MICRO SD PUSH PUSH LOW PROFILE TYPE		
0 PLC ± 0.3 1 PLC ± 0.3 2 PLC ± 0.3 3 PLC ± 0.3 4 PLC ± 0.3 ANGLES ± 1°		PRODUCT SPEC	SIZE	CAGE CODE	DRAWING NO
MATERIAL 材料		APPLICATION SPEC	A3	00779	G-2201778
FINISH 仕上		取付適用規格	RESTRICTED TO		
		WEIGHT	SCALE 尺度 5:1		SHEET 2 OF 4
		CUSTOMER DRAWING	REV B		

THIS DRAWING IS UNPUBLISHED. RELEASED FOR PUBLICATION MAY, 2005.

© COPYRIGHT 2005 By Tyco Electronics Japan G.K.

ALL RIGHTS RESERVED.

LOC J	DIST /	REVISIONS 変更		
P	LTR	DESCRIPTION	DATE	APVD
	-	SEE SHEET 1	-	-



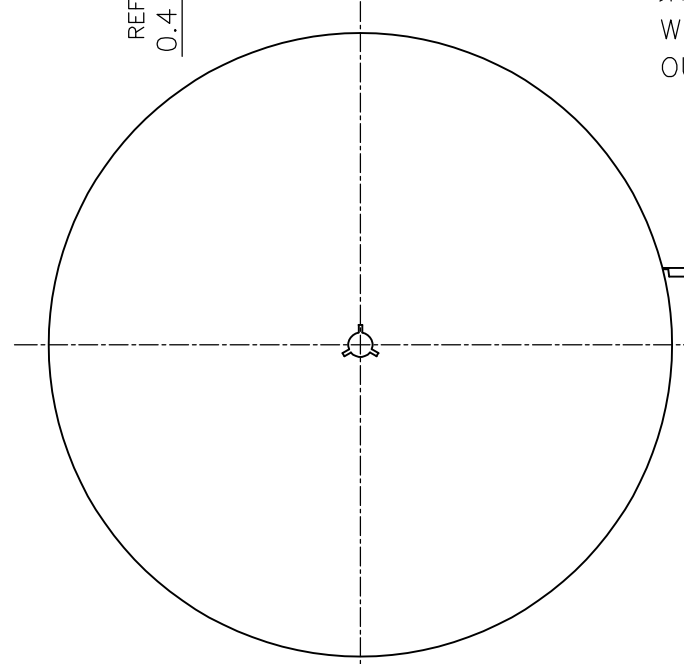
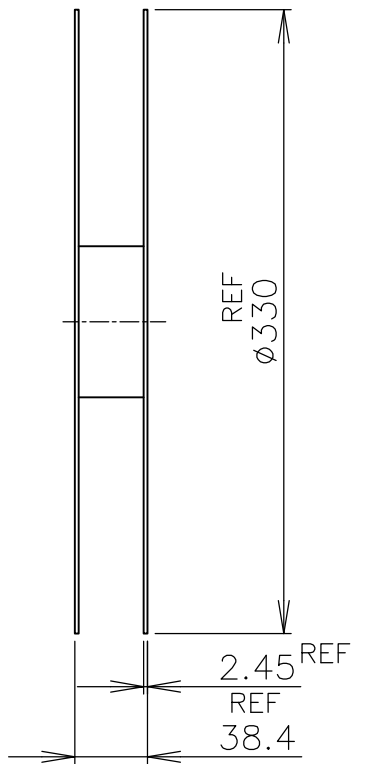
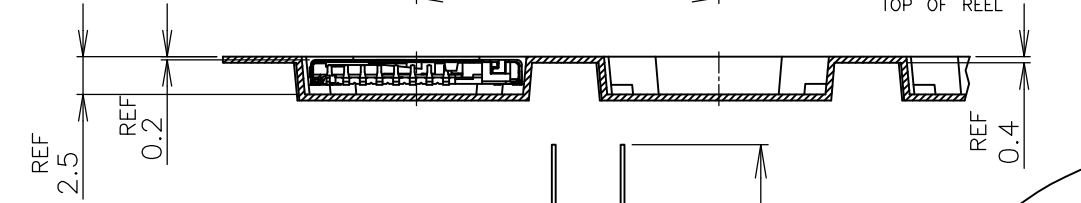
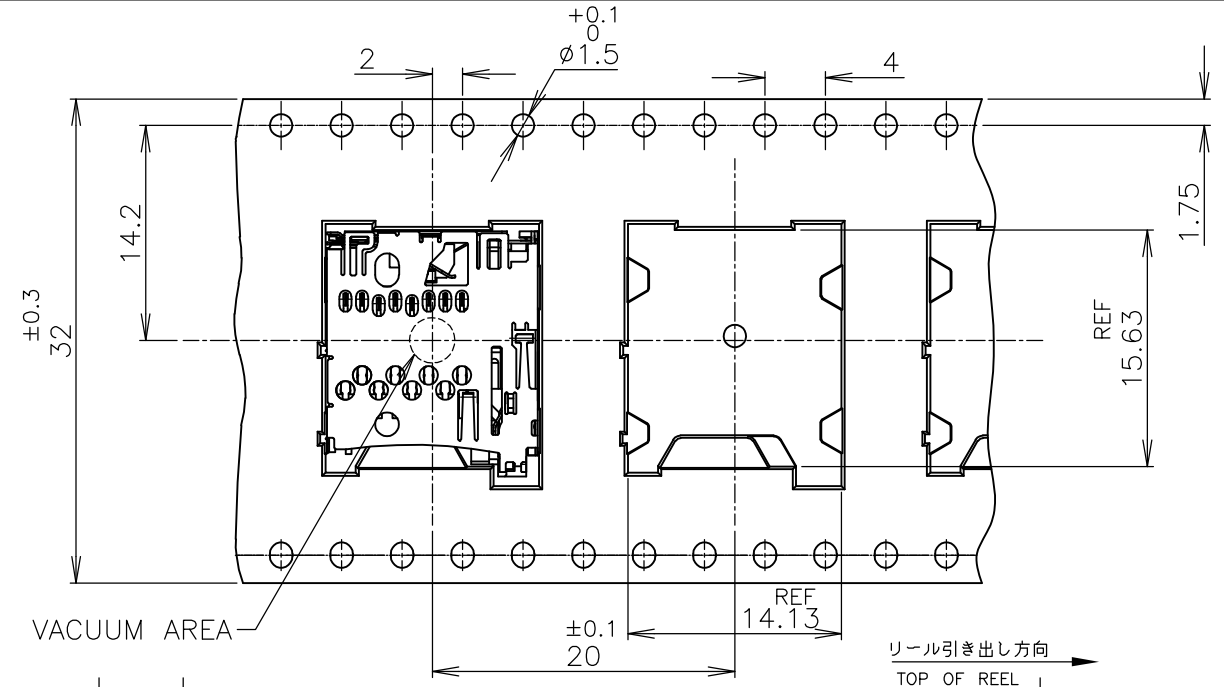
PIN ASSIGNMENT						
PIN#	SD MODE			SPI MODE		
	NAME	TYPE	DESCRIPTION	NAME	TYPE	DESCRIPTION
1	DAT2	I/O	DATA LINE[BIT 2]	RSV		
2	CD/DAT3	I/O	CARD DETECT/ DATA LINE[BIT 3]	CS	I	CHIP SELECT(NEG TRUE)
3	CMD	I/O	COMMAND/RESPONSE	DI	I	DATA IN
4	V <sub>DD</sub>	S	SUPPLY VOLTAGE	V <sub>DD</sub>	S	SUPPLY VOLTAGE
5	CLK	I	CLOCK	SCLK	I	CLOCK
6	V <sub>SS</sub>	S	SUPPLY VOLTAGE GROUND	V <sub>SS</sub>	S	SUPPLY VOLTAGE GROUND
7	DAT0	I/O	DATA LINE[BIT 0]	DO	O	DATA OUT
8	DAT1	I/O	DATA LINE[BIT 1]	RSV		

PIN ASSIGNMENT		
NO.	PIN NAME	DESCRIPTION
⑨	SWA	DETECT SWITCH
⑩	SWB	DETECT SWITCH
⑪ ~ ⑯	GND	SHELL GROUND

THIS DRAWING IS A CONTROLLED DOCUMENT.		DWN —	TE Connectivity		
DIMENSIONS: 単位: 耗 MM		CHK —			
TOLERANCES UNLESS OTHERWISE SPECIFIED: 一般公差		APVD —	MICRO SD PUSH PUSH LOW PROFILE TYPE		
0 PLC ± 0.3 1 PLC ± 0.3 2 PLC ± 0.3 3 PLC ± 0.3 4 PLC ± 0.3 ANGLES ± 1°		PRODUCT SPEC 製品規格 —	DRAWING NO 番号		
MATERIAL 材料		APPLICATION SPEC 取付適用規格	SIZE A3	CAGE CODE 00779	RESTRICTED TO —
FINISH 仕上		WEIGHT	DRAWING NO 番号 G-2201778		SCALE 尺度 8:1
CUSTOMER DRAWING			SHEET 3 of 4		REV B

THIS DRAWING IS UNPUBLISHED. RELEASED FOR PUBLICATION MAY, 2005.  
 © COPYRIGHT 2005 By Tyco Electronics Japan G.K. ALL RIGHTS RESERVED.

LOC	DIST	REVISIONS			DATE	DWN	APVD
J	/	P	LTR	DESCRIPTION			
		-		SEE SHEET 1	-	-	-



カバーテープリーダー部  
 外周1巻  
 WIDE COVER TAPE AROUND  
 OUT PERIPHERY 1 TURN

剥離強度 0.1-1.3N MAX(300±10mm/min)  
 PEELING STRENGTH  
 剥離角度 165~180°  
 PEELING ANGLE

引き出し方向  
 TOP OF REEL

1000個/リール  
 1000EA/REEL

HOLES  
 8穴

空部 WITHOUT CHARGE      製品装填部 WITH PRODUCT CHARGE      空部 WITHOUT CHARGE

300mm程度 APPROX      600mm程度 APPROX

THIS DRAWING IS A CONTROLLED DOCUMENT.		DWN	STE TE Connectivity		
DIMENSIONS: 単位: 耗 MM		CHK	NAME 名称		
TOLERANCES UNLESS OTHERWISE SPECIFIED: 一般公差		APVD	MICRO SD PUSH PUSH LOW PROFILE TYPE		
0 PLC ± 0.3		PRODUCT SPEC 製品規格		SIZE	RESTRICTED TO
1 PLC ± 0.3		APPLICATION SPEC 取付適用規格		CAGE CODE	
2 PLC ± 0.3		WEIGHT		DRAWING NO	
3 PLC ± 0.3		CUSTOMER DRAWING		番号	
4 PLC ± 0.3				SCALE	
ANGLES ± 1°				尺度	
FINISH 仕上				SHEET	
MATERIAL 材料				4 OF 4	
				REV	
				B	