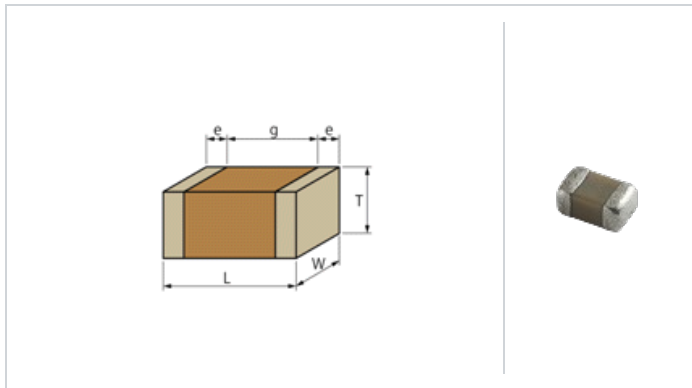




< List of part numbers with package codes >  
GR355XD72J224KW05L

**Shape**



L size	5.7 ±0.4mm
W size	5.0 ±0.4mm
T size	2.7 +0.0/-0.3mm
External terminal width e	0.3mm min.
Distance between external terminals g	3.0mm min.
Size code in inch(mm)	2220 (5750M)

**Notes**

Large Capacitance and High Allowable Ripple Current

**References**

Packaging	Specifications	Minimum quantity
L	φ180mm Embossed taping	500

Mass (typ.)	
1 piece	420mg
φ180mm Reel	261g

**Specifications**

Capacitance	0.22μF ±10%
Rated voltage	630Vdc
Temperature characteristics (complied standard)	X7T(EIA)
Capacitance change rate	+22.0/-33.0%
Temperature range of temperature characteristics	-55 to 125°C
Operating temperature range	-55 to 125°C

**Attention**

- 1.This datasheet is downloaded from the website of Murata Manufacturing Co., Ltd. Therefore, it's specifications are subject to change or our products in it may be discontinued without advance notice. Please check with our sales representatives or product engineers before ordering.
- 2.This datasheet has only typical specifications because there is no space for detailed specifications. Therefore, please review our product specifications or consult the approval sheet for product specifications before ordering.