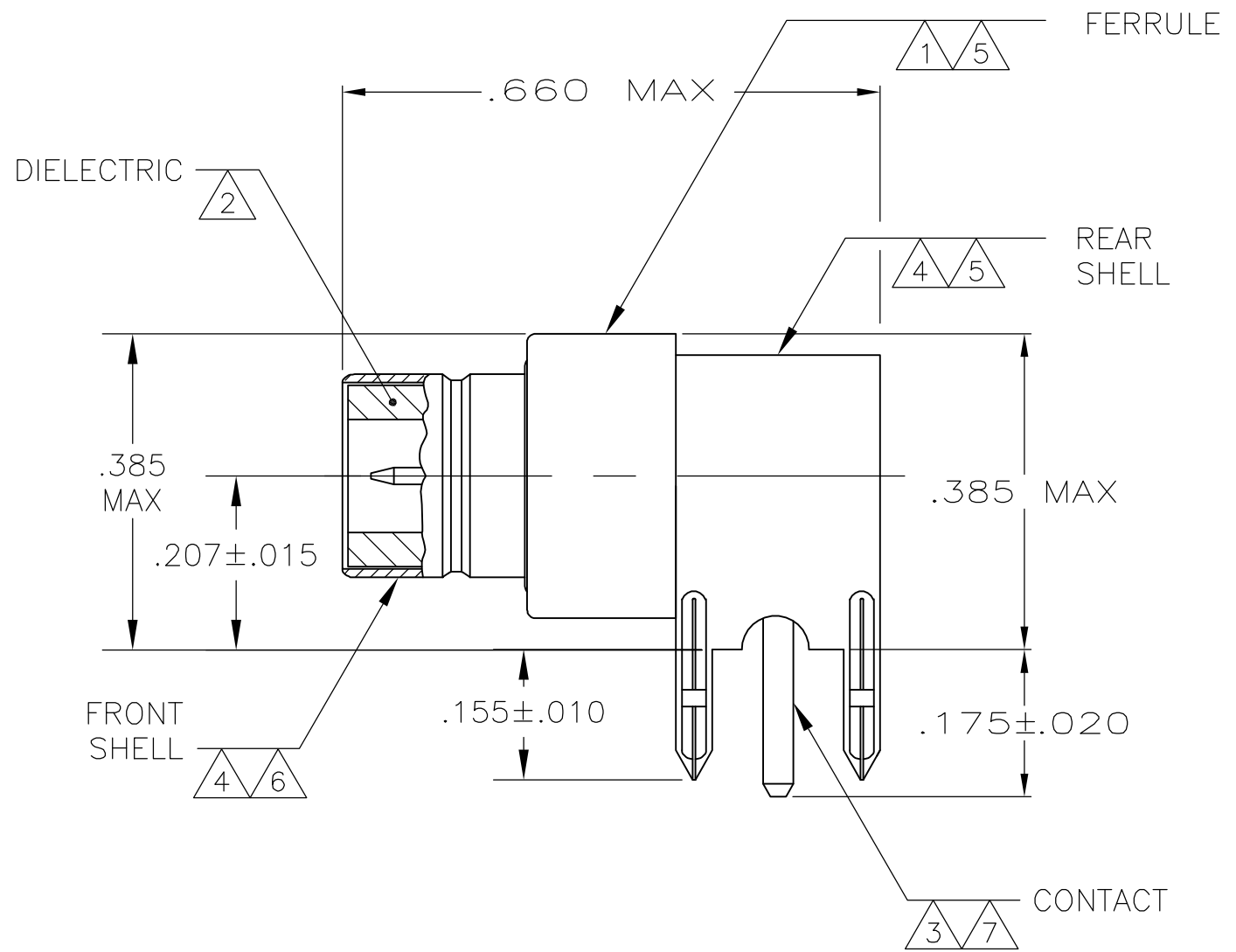
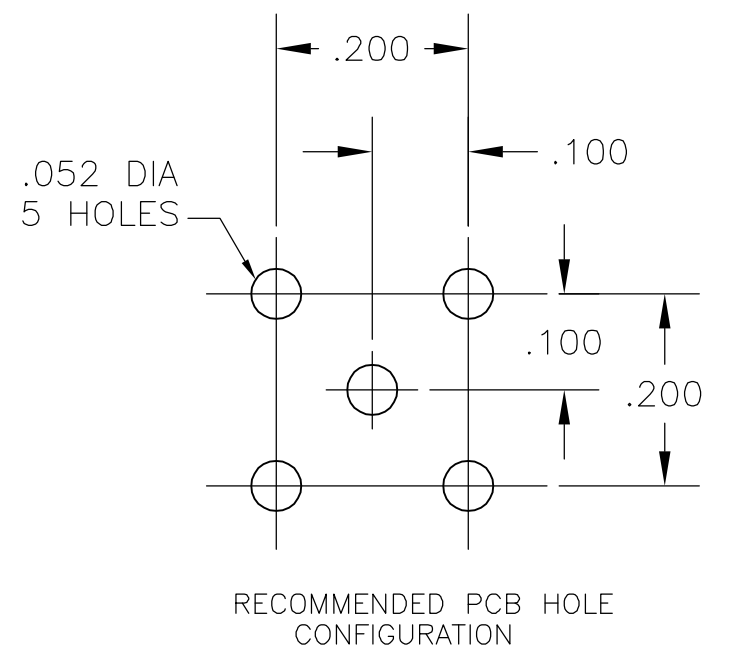


THIS DRAWING IS UNPUBLISHED. RELEASED FOR PUBLICATION
 © COPYRIGHT - BY TYCO ELECTRONICS CORPORATION. ALL RIGHTS RESERVED.

LOC	DIST	REVISIONS			
P	LTR	DESCRIPTION	DATE	DWN	APVD
		0	RELEASED PER 0S14-0496-04.	25JAN2005	JGH/JGH



- 1 COPPER PER ASTM-B-152.
- 2 POLYPROPYLENE, GENERAL PURPOSE.
- 3 BRASS PER ASTM-B-16.
- 4 BRASS PER ASTM-B-36.
- 5 TIN PLATE PER ASTM-B-545.
- 6 NICKEL PLATE PER QQ-N-290.
- 7 GOLD PLATE PER ASTM-B-488.



5221014-1
 PART NUMBER

THIS DRAWING IS A CONTROLLED DOCUMENT.		DWN J. HAVENER 24JAN2005	Tyco Electronics Corporation Harrisburg, PA 17105-3608														
DIMENSIONS: INCHES		CHK J. HAVENER 25JAN2005	NAME														
TOLERANCES UNLESS OTHERWISE SPECIFIED:		APVD J. HAVENER 25JAN2005	CONNECTOR, PCB SERIES SMB														
<table border="1"> <tr><td>0 PLC</td><td>± -</td></tr> <tr><td>1 PLC</td><td>± -</td></tr> <tr><td>2 PLC</td><td>± -</td></tr> <tr><td>3 PLC</td><td>± .002</td></tr> <tr><td>4 PLC</td><td>± -</td></tr> <tr><td>ANGLES</td><td>± -</td></tr> </table>		0 PLC	± -	1 PLC	± -	2 PLC	± -	3 PLC	± .002	4 PLC	± -	ANGLES	± -	PRODUCT SPEC -	SIZE A3	CAGE CODE 00779	DRAWING NO C-5221014
0 PLC	± -																
1 PLC	± -																
2 PLC	± -																
3 PLC	± .002																
4 PLC	± -																
ANGLES	± -																
MATERIAL SEE NOTES		FINISH SEE NOTES	APPLICATION SPEC -	RESTRICTED TO -	SCALE 5:1												
CUSTOMER DRAWING			SHEET 1 OF 1	REV 0													