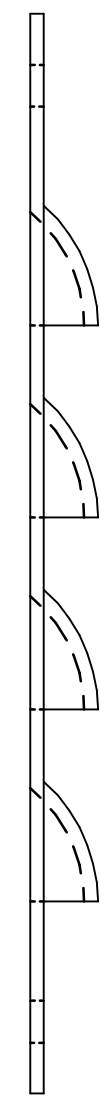


PART No. 1481L44

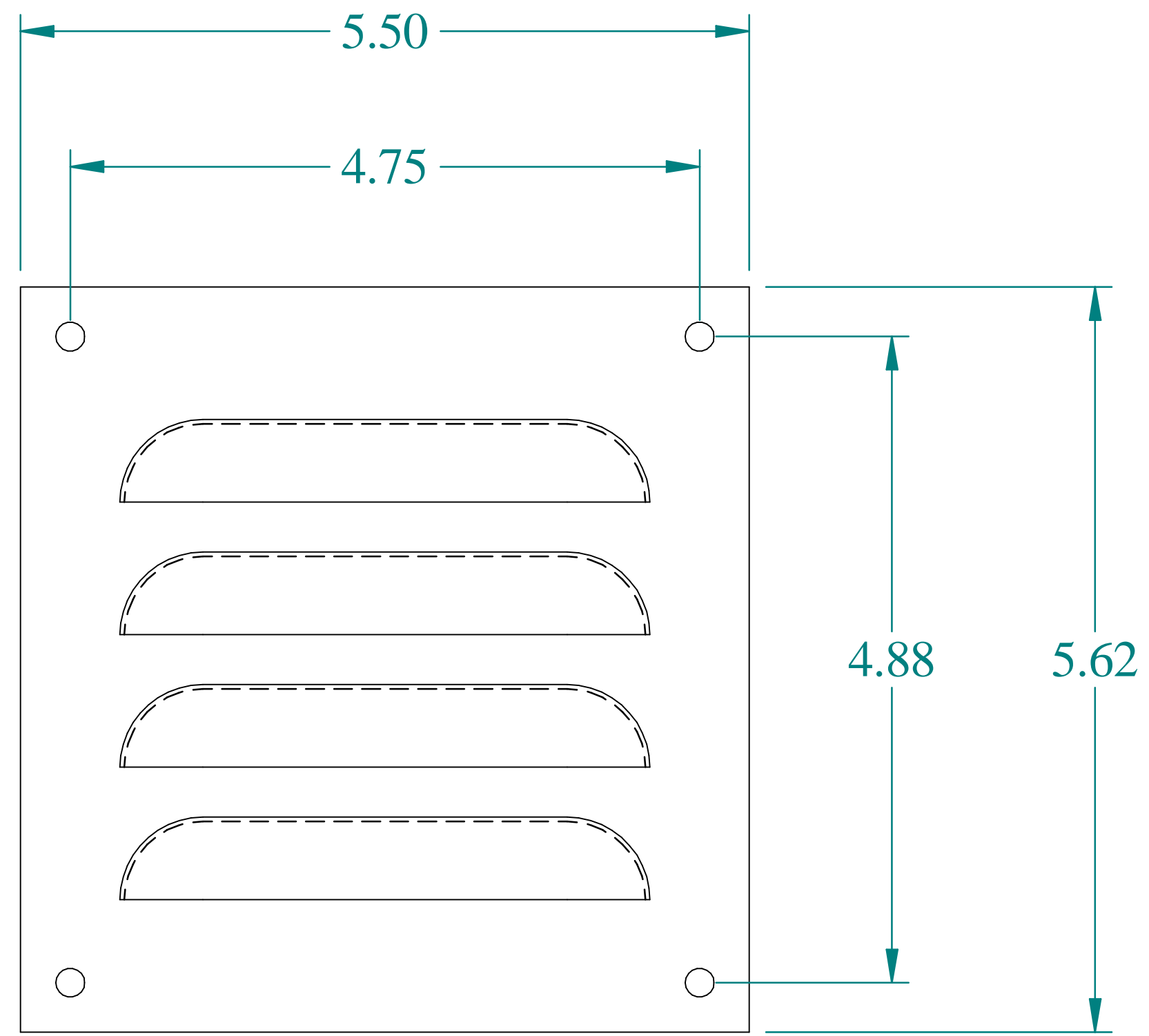
for more information visit
www.hammfg.com

Data subject to change without notice

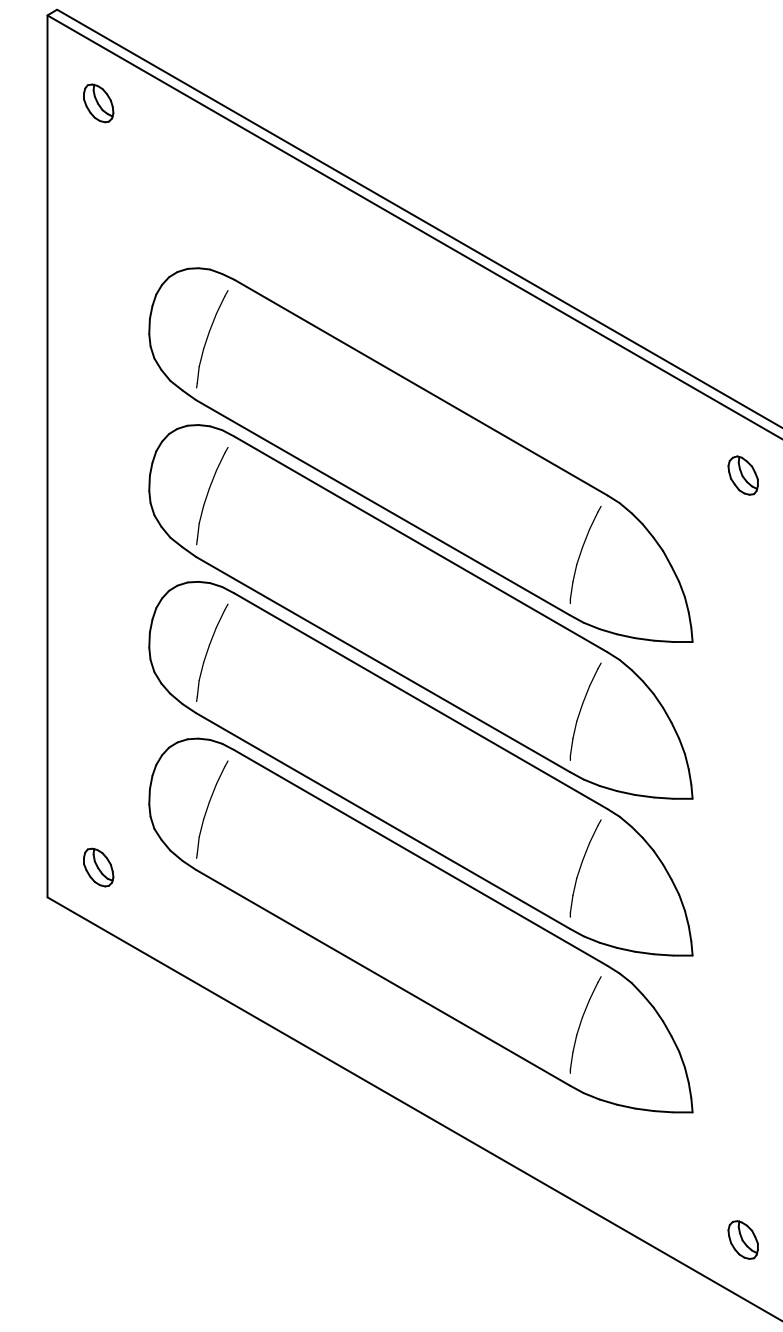
Isometric drawing Not to Scale



SIDE VIEW



FRONT VIEW



ISOMETRIC VIEW