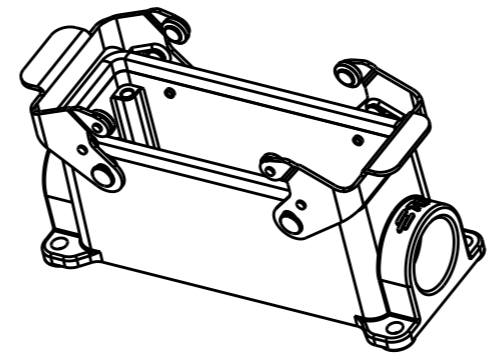
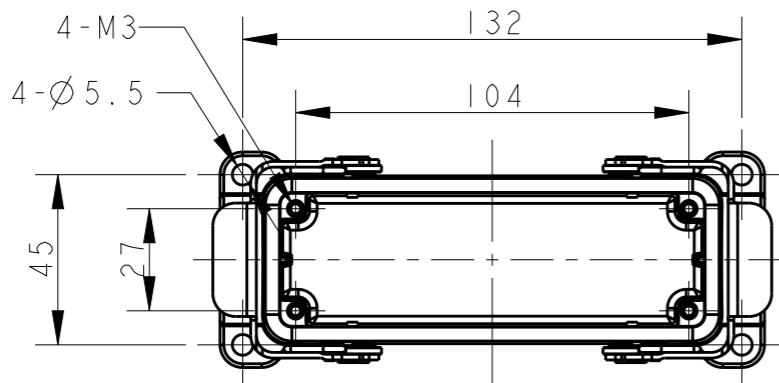
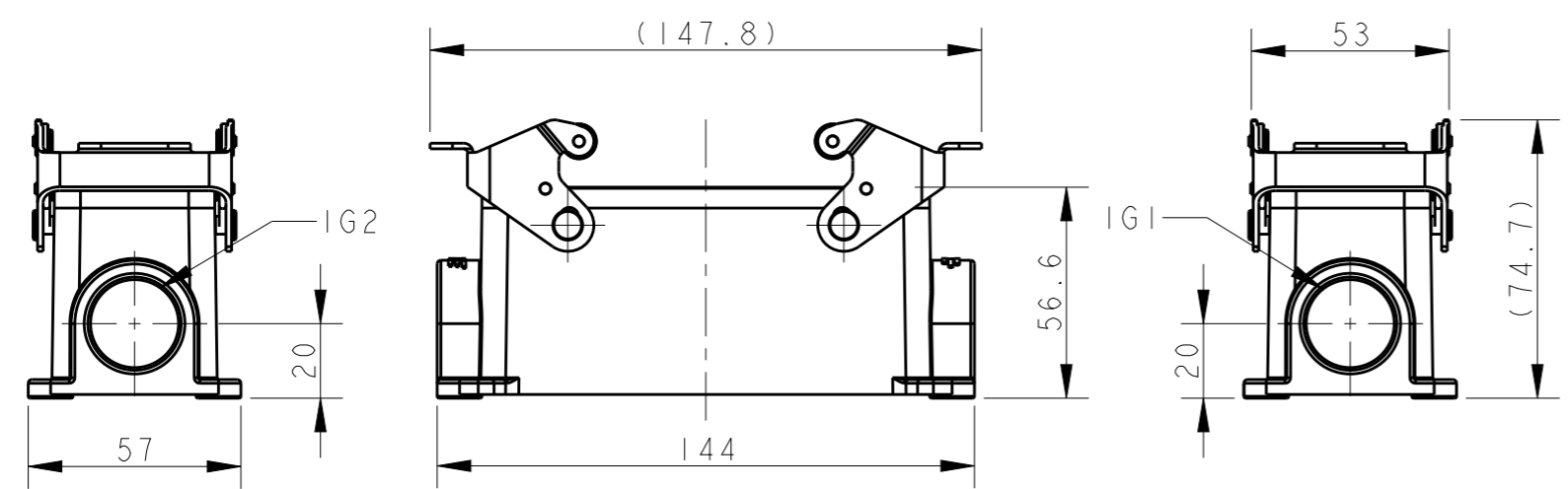
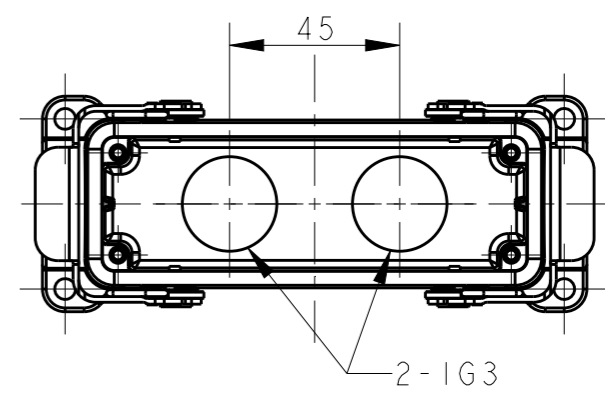


THIS DRAWING IS UNPUBLISHED. RELEASED FOR PUBLICATION 20  
 © COPYRIGHT 20 BY - ALL RIGHTS RESERVED.

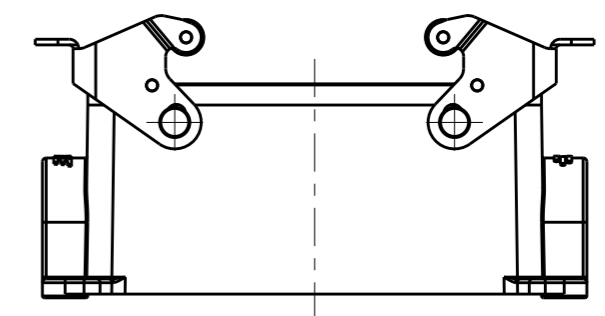
REVISIONS					
P	LTR	DESCRIPTION	DATE	DWN	APVD
	A	INITIAL RELEASE	16JUN2015	DL	CW



SCALE 2:5



TYPE 1: BODY + STAINLESS STEEL LOCKING SIDE ENTRY




TYPE 2: BODY + STAINLESS STEEL LOCKING BOTTOM ENTRY  
 OTHER SPEC REFER TO TYPE 1

TI440241121-000	TYPE 1	H24B-SGRS-PG21	PG21	-	-
TI440241125-000		H24B-SGRS-M25	M25	-	-
TI440241221-000		H24B-SGRS-2PG21	PG21	PG21	-
TI440241225-000		H24B-SGRS-2M25	M25	M25	-
TI440245225-000	TYPE 2	H24B-SGRS-T2M25	-	-	M25
ASSEMBLY PART NUMBER	TYPE	ASSEMBLY PART DESCRIPTION	IG1	IG2	IG3

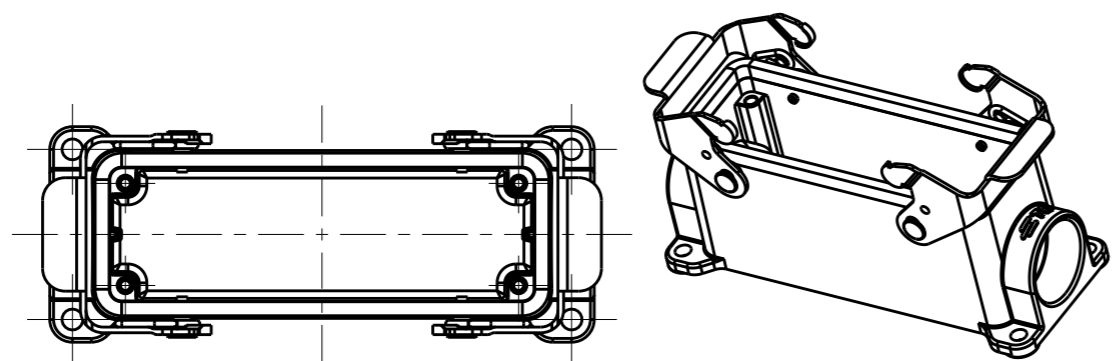
NOTES:  
 1. TECHNICAL CHARACTERISTICS:  
 BODY MATERIAL: DIE CAST ALUMINIUM ALLOY  
 SURFACE TREATMENT: POWDER-COATED, GRAY  
 OPERATION TEMPERATURE: -40-+125°C  
 DEGREE OF PROTECTION: IP65 (MATED)

注释:  
 1. 技术参数:  
 主体材料: 铝合金  
 表面处理: 粉末喷涂, 灰色  
 工作温度: -40-+125°C  
 防护等级: IP65(配合)

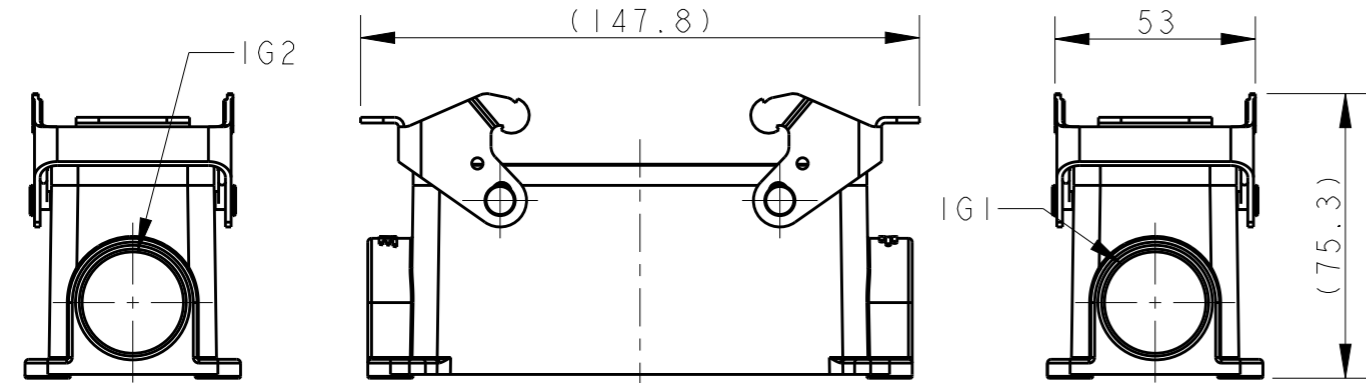
THIS DRAWING IS A CONTROLLED DOCUMENT.		DWN 16JUN2015 DAVID LI	 TE Connectivity NAME H24B-SGR/SGRS-PG/M			
DIMENSIONS: mm		CHK 16JUN2015 CHRIS WANG				
TOLERANCES UNLESS OTHERWISE SPECIFIED:		APVD 16JUN2015 XU XIANG				
0 PLC ±- 1 PLC ±- 2 PLC ±- 3 PLC ±- 4 PLC ±- ANGLES ±-		PRODUCT SPEC 108-137013				
MATERIAL	FINISH	APPLICATION SPEC 114-137013	SIZE A3	CAGE CODE -	DRAWING NO ©-TI44024XXXXX00	RESTRICTED TO -
CUSTOMER DRAWING		WEIGHT -	SCALE 1:2	SHEET 1 OF 2	REV A	

THIS DRAWING IS UNPUBLISHED. RELEASED FOR PUBLICATION 20  
 © COPYRIGHT 20 BY - ALL RIGHTS RESERVED.

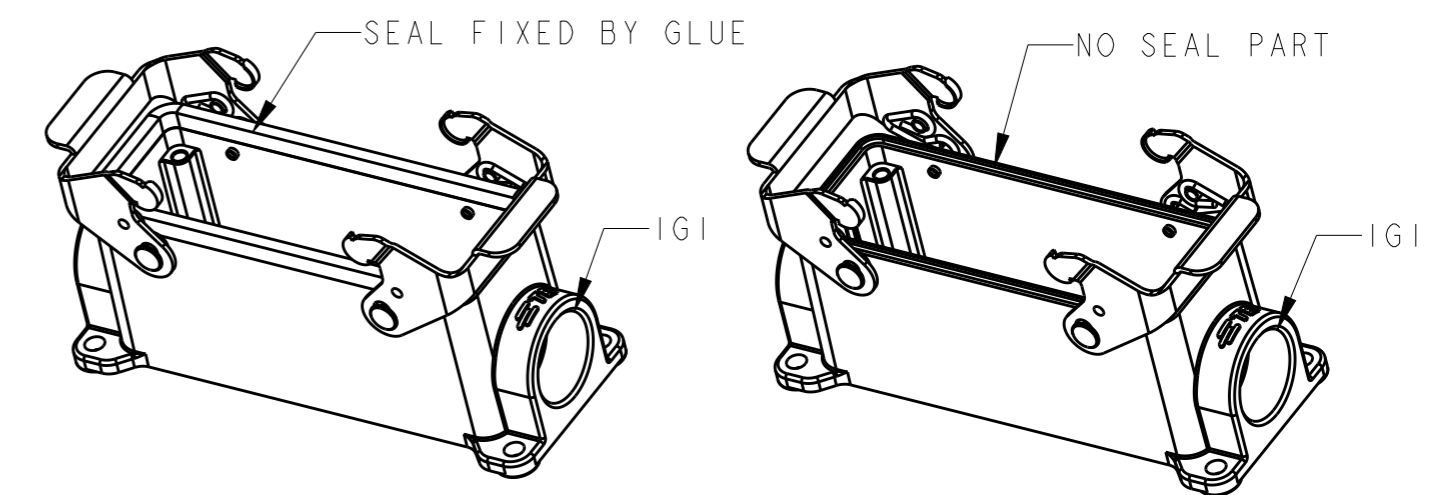
REVISIONS					
P	LTR	DESCRIPTION	DATE	DWN	APVD
-	-	SEE SHEET 1	-	-	-



SCALE 2:5

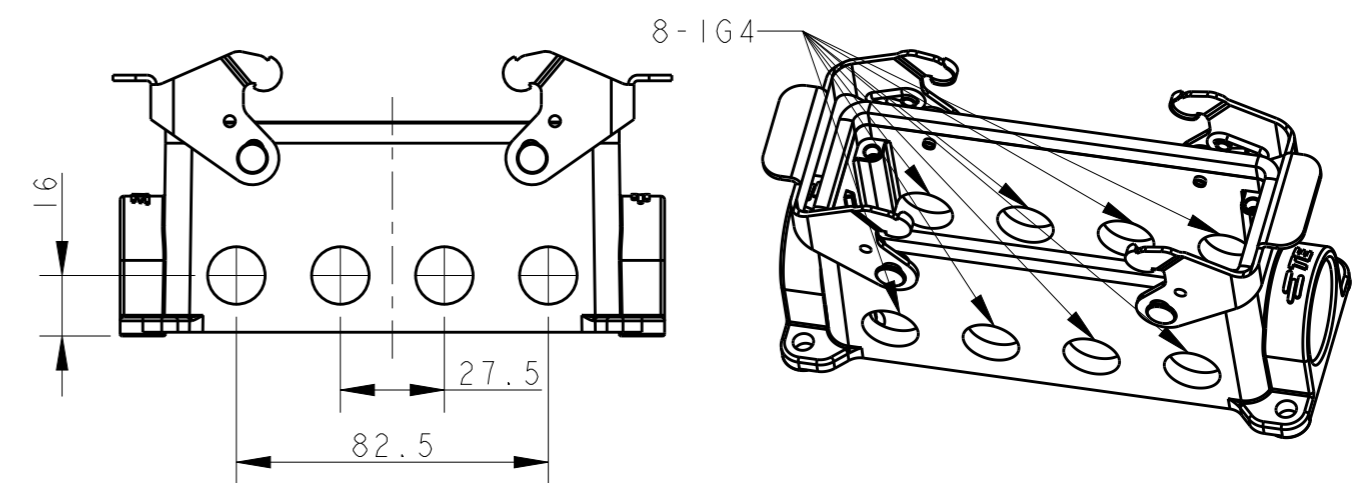


TYPE 3: BODY + STEEL LOCKING  
SIDE ENTRY  
OTHER SPEC REFER TO TYPE 1



TYPE 4: BODY + STEEL LOCKING  
SIDE ENTRY  
OTHER SPEC REFER TO TYPE 3

TYPE 5: BODY + STEEL LOCKING  
SIDE ENTRY  
OTHER SPEC REFER TO TYPE 3



TYPE 6: BODY + STEEL LOCKING  
FRONT & BACK ENTRY  
OTHER SPEC REFER TO TYPE 3

T1440242121-000	TYPE 3	H24B-SGR-PG21	PG21	-	-	
T1440242125-000		H24B-SGR-M25	M25	-	-	
T1440242221-000		H24B-SGR-2PG21	PG21	PG21	-	
T1440242225-000		H24B-SGR-2M25	M25	M25	-	
T1440242521-000		H24B-SGR-M25/PG21	M25	PG21	-	
T1440242125-100	TYPE 4	H24B-SGR-M25	M25	-	-	SEAL FIXED BY GLUE
T1440242125-200	TYPE 5	H24B-SGR-M25	M25	-	-	NO SEAL PART
T1440242809-000	TYPE 6	H24B-SGR-8PG9	-	-	PG9	
ASSEMBLY PART NUMBER	TYPE	ASSEMBLY PART DESCRIPTION	IG1	IG2	IG4	REMARK

TABLE: TYPE DESCRIPTION

THIS DRAWING IS A CONTROLLED DOCUMENT.		DWN 16JUN2015 DAVID LI	TE Connectivity		
DIMENSIONS: mm		CHK 16JUN2015 CHRIS WANG			
TOLERANCES UNLESS OTHERWISE SPECIFIED:		APVD 16JUN2015 XU XIANG	NAME H24B-SGR/SGRS-PG/M		
0 PLC ±- 1 PLC ±- 2 PLC ±- 3 PLC ±- 4 PLC ±- ANGLES ±-		PRODUCT SPEC 108-137013	SIZE CAGE CODE DRAWING NO RESTRICTED TO		
MATERIAL		APPLICATION SPEC 114-137013	A3	-	©-T144024XXXXX00
FINISH		WEIGHT	SCALE 1:2 SHEET 2 OF 2 REV A		
		CUSTOMER DRAWING			