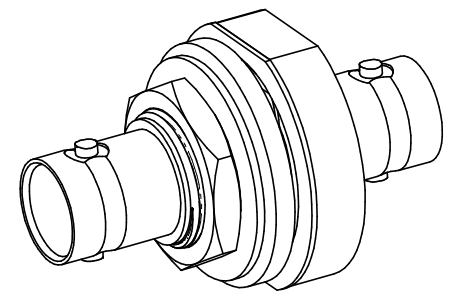
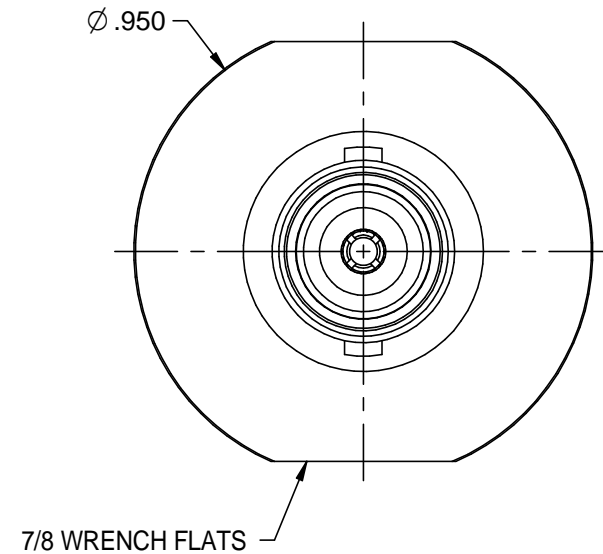
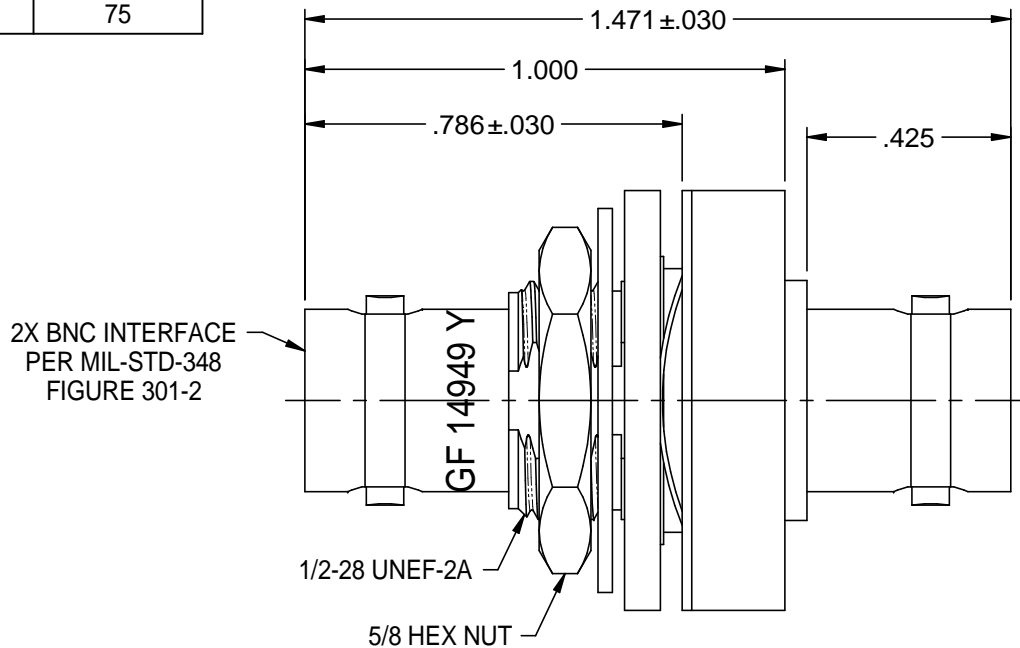


TABLE 1	
TROMPETER NUMBER	IMPEDANCE (OHMS)
BJ28GF	50
UBJ28GF	75



NOTES: UNLESS OTHERWISE SPECIFIED.

1. MATERIAL & FINISH:

- 1.1 BODY: NICKEL PLATED BRASS
- 1.2 DIELECTRIC: PTFE (TEFLON)
- 1.3 CENTER CONTACT: GOLD PLATED BERYLLIUM COPPER
- 1.4 INSULATORS: NYLON
- 1.5 MOUNTING HARDWARE: NICKEL PLATED COPPER ALLOY

2. ELECTRICAL: FILTER FUNCTION BETWEEN SHIELD AND CHASSIS.

- 2.1 VOLTAGE RATING: 200 VDC AT SEA LEVEL AND 25°C
- 2.2 CAPACITANCE: 4nFD MIN, 10nFD MAX AT 1 KHz AND 25°C
- 2.3 DISSIPATION FACTOR: 5% MAX AT 1 KHz AND 25°C
- 2.4 DIELECTRIC WITHSTANDING VOLTAGE: 500 VDC AT SEA LEVEL AND 25°C FOR 1 MINUTE
- 2.5 INSULATION RESISTANCE: 1 G- OHM MIN AT 200 VDC AND 25°C
- 2.6 RF INSERTION LOSS (FILTER PERFORMANCE): WHEN MEASURED PER MIL-STD-220 ON A SWEEP FREQUENCY RESPONSE BASIS (WITH 1/2 AMP DRIVEN CURRENT IN 50 & 75 OHM) INSERTION LOSS SHALL BE AS FOLLOWS: SEE TABLE 2

3. PANEL THICKNESS (MAX): .094

4. PANEL NUT TORQUE (MAX): 25 IN LBS

TABLE 2	
FREQUENCY (MHz)	ATTENUATION (MIN dB @ 25°C)
1	1
3	2
10	8
30	16
100	30
300	30
1000	30

		TROMPETER	
	RoHS2 2011/65/EU	Title: BNC COAXIAL BLKD MT FEED THRU JACK WITH GROUND FILTERING CAPACITOR	
<small>This PROPRIETARY Document is property of Cinch Connectivity Solutions. It is confidential in nature, non-transferable, and issued with the clear understanding that it is not traced or copied without permission and is returnable upon demand.</small>	<small>UNLESS OTHERWISE SPECIFIED</small> UNITS: INCH .XX ±.02 .XXX ±.005 ANGLES ±2°	Model No. U/BJ28GF	Size A
<small>INTERPRET DRAWING IN ACCORDANCE WITH ASME Y14.5-2009.</small>	DO NOT SCALE DRAWING	Date: 10/6/2014	Sheet 1 of 1