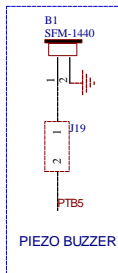
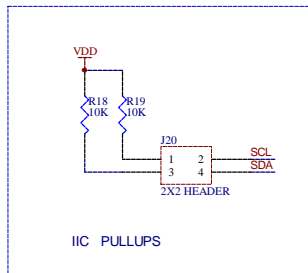
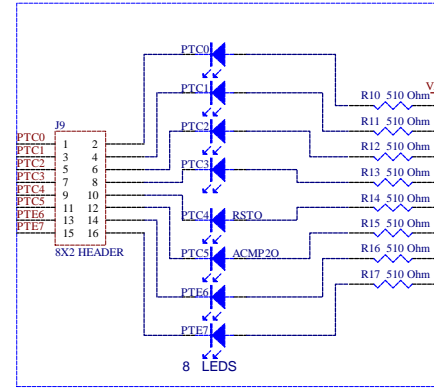
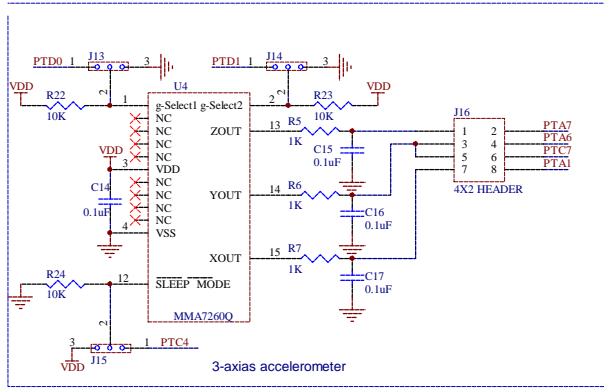


Copyright (C) 2007, P&E Microcomputer Systems, Inc.

P&E Microcomputer Systems, Inc.
98 Galen Street, Floor 2
Watertown
MA 02472
USA

DEMOQUE Base Board Schematic

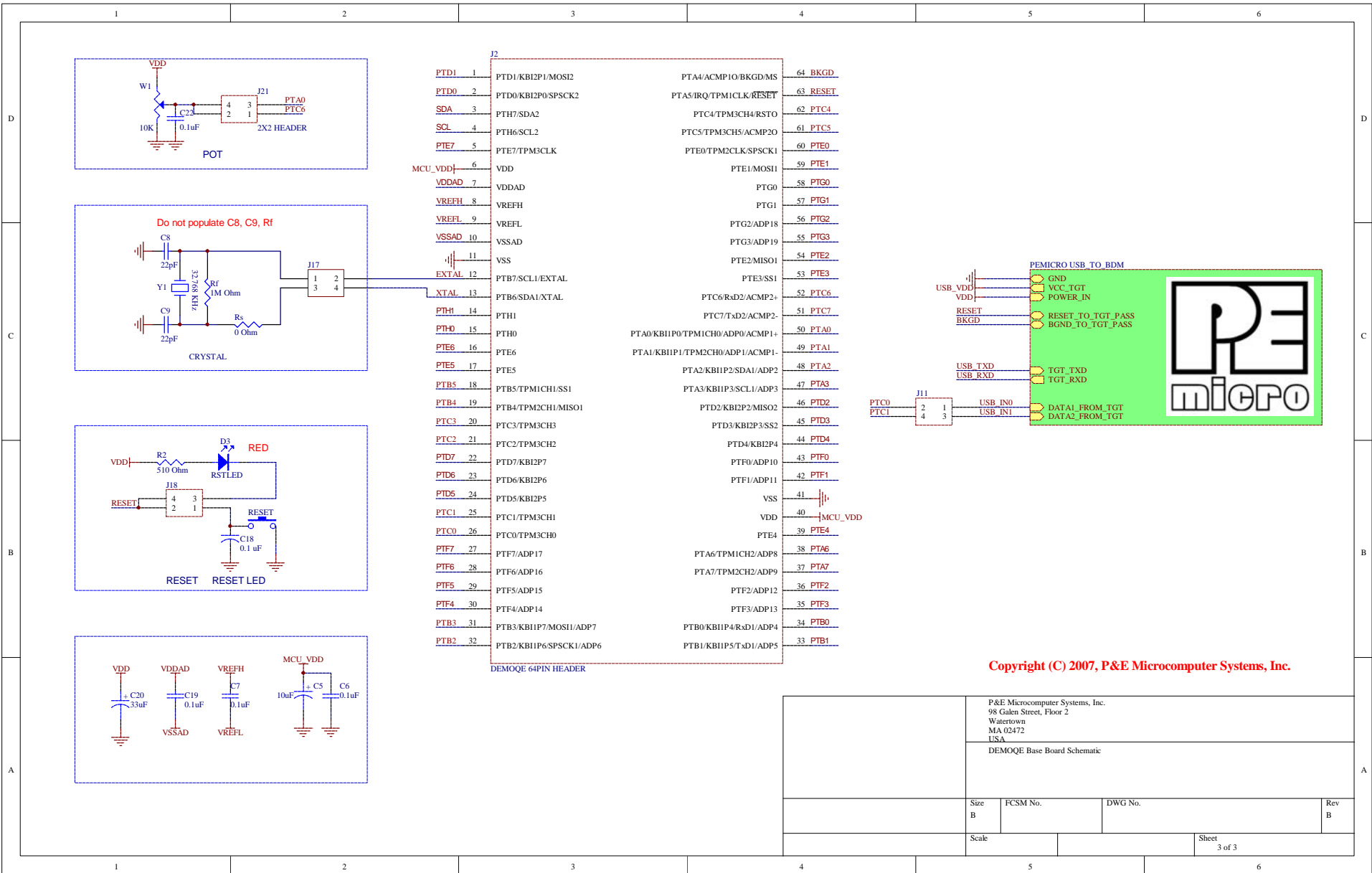
Size B	FCSM No.	DWG No.	Rev B
Scale			Sheet 1 of 3



MCU_PORT_VDD	J1				
1	VDD	PTA5/IRQ/TPM1CLK/RESET	2	RESET	
2	VSS	PTA5/IRQ/TPM1CLK/RESET	4	RESET	
3	PTB1/KBI1P5/TxD1/ADP5	PTA4/ACMP10/BKGDMS	6	BKGD	
4	PTB0	PTB0/KBI1P4/RxD1/ADP4	8	PIE7	
5	PTA2	PTA2/KBI1P2/SDA1/ADP2	10	VREFH	
6	PTA3	PTA3/KBI1P3/SDA1/ADP3	12	VREFL	
7	PTC0	PTC0/TPM3CH0	14	PTA0	
8	PTC1	PTC1/TPM3CH1	16	PTA1	
9	PTB3	PTB3/KBI1P7/MOSI1/ADP7	18	PTF0	
10	PTB4	PTB4/TPM2CH1/MISO1	20	PTF1	
11	PTB2	PTB2/KBI1P6/SPSCK1/ADP6	22	PTA6	
12	PTB5	PTB5/TPM1CH1/SS1	24	PTA7	
13	PTD1	PTD1/KBI2P1/MOSI2/PTH6/SCL2 (PTB7/SCL1/EXTAL for 32 LQFP)	26	SCL	
14	PTD2	PTD2/KBI2P2/MISO2	28	SDA	
15	PTD0	PTD0/KBI2P0/SPSCK2	30	PTD4	
16	PTD3	PTD3/KBI2P3/SS2	32	PTD5	
17	PTC2	PTC2/TPM3CH2	34	PTD6	
18	PTC3	PTC3/TPM3CH3	36	PTD7	
19	PTC4	PTC4/TPM3CH4/RSTO	38	PTC7	
20	PTC5	PTC5/TPM3CH5/ACMP20	40	PTC6	
21	PTF2	PTF2/ADP12	42	EXTAL	
22	PTF3	PTF3/ADP13	44	XTAL	
23	PTF4	PTF4/ADP14	46	PTG0	
24	PTF5	PTF5/ADP15	48	PTG1	
25	PTF6	PTF6/ADP16	50	PTH0	
26	PTF7	PTF7/ADP17	52	PTH1	
27	PTG2	PTG2/ADP18	54	PTG6	
28	PTG3	PTG3/ADP19	56	PTG6	
				NC	

Copyright (C) 2007, P&E Microcomputer Systems, Inc.

P&E Microcomputer Systems, Inc. 98 Galen Street, Floor 2 Watertown MA 02472 USA		DEMOQUE Base Board Schematic	
Size B	FCSM No.	DWG No.	Rev B
Scale			Sheet 2 of 3



Copyright (C) 2007, P&E Microcomputer Systems, Inc.

P&E Microcomputer Systems, Inc.
 98 Galen Street, Floor 2
 Watertown
 MA 02472
 USA

DEMOQE Base Board Schematic

Size B	FCSM No.	DWG No.	Rev B
Scale			Sheet 3 of 3