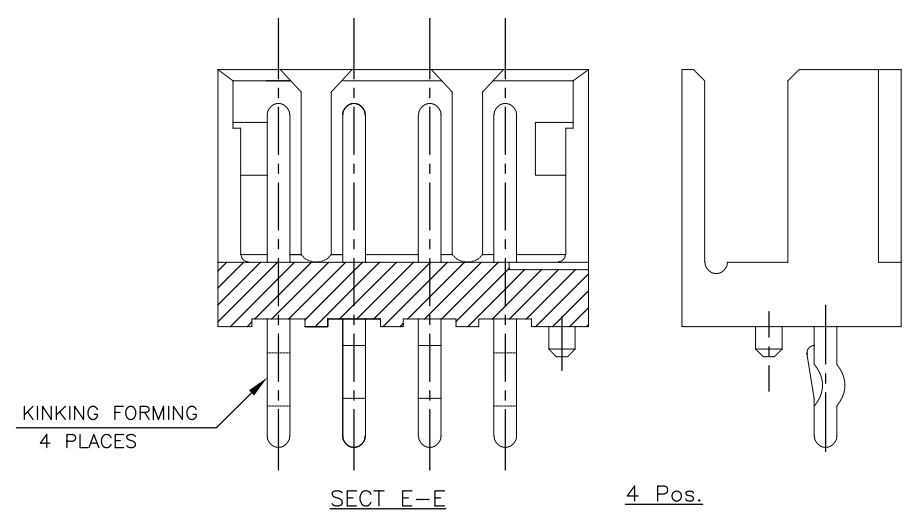
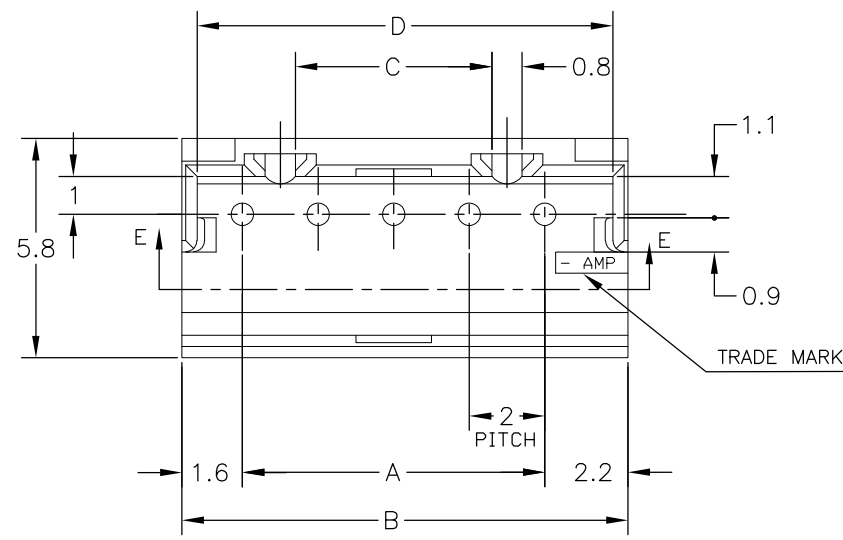
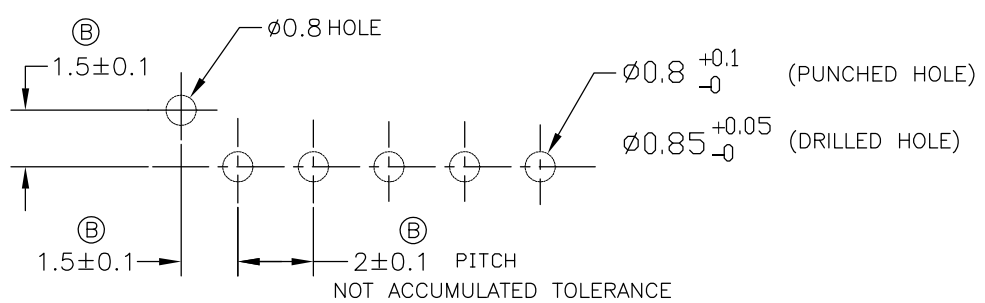
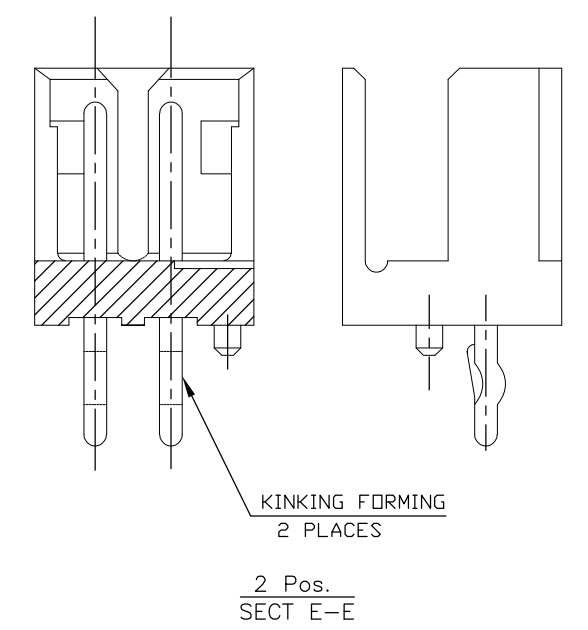
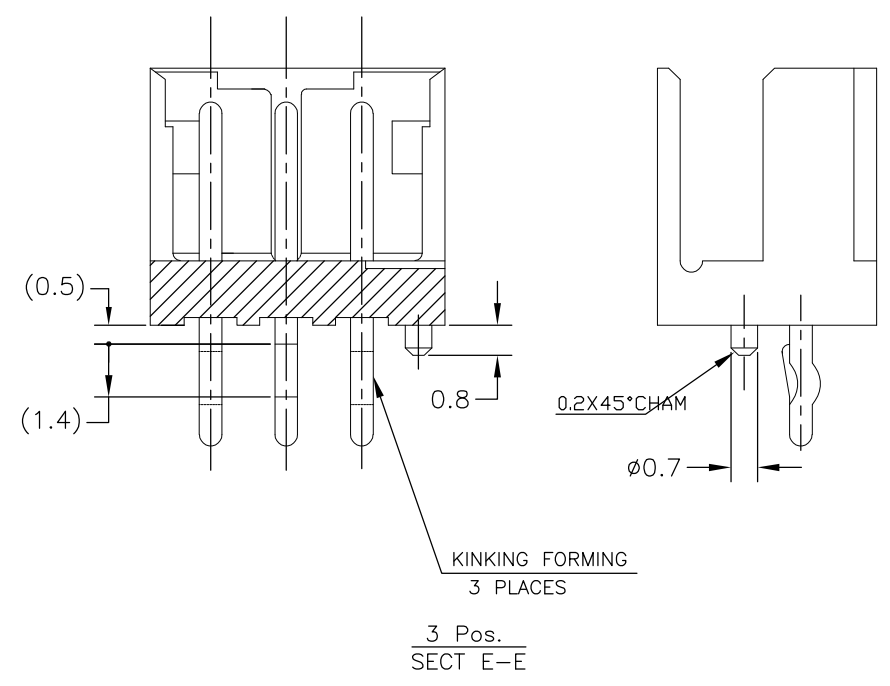
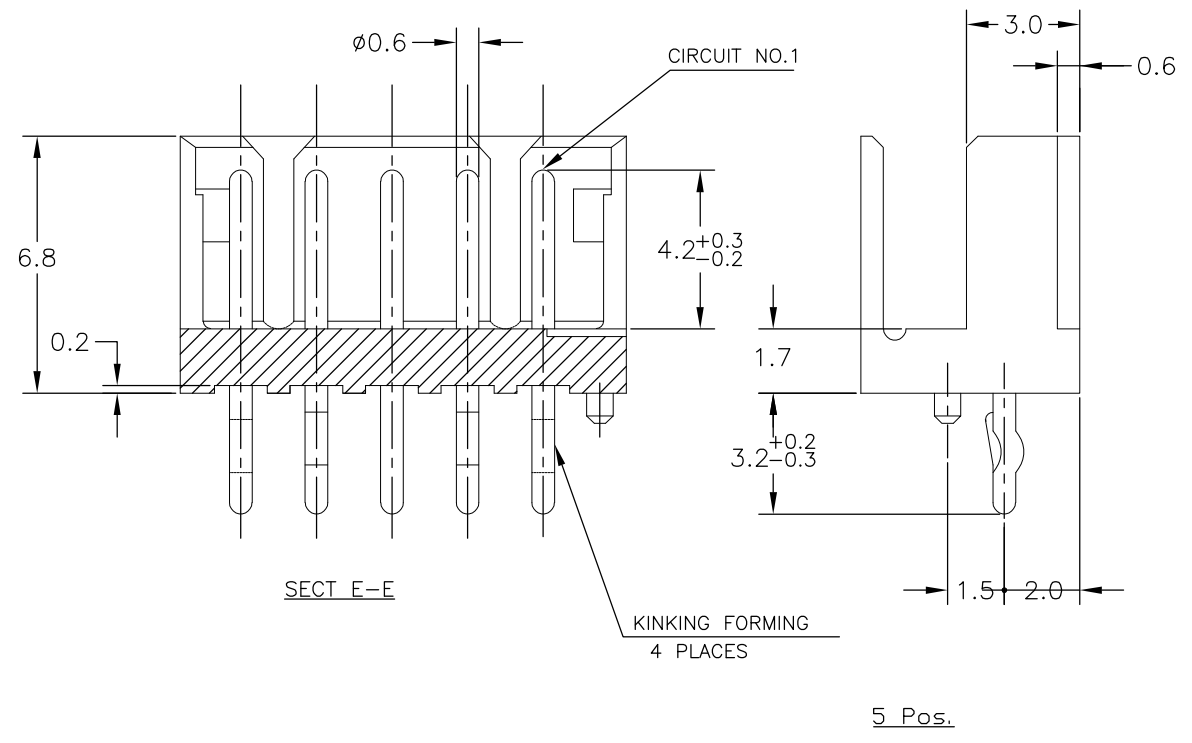


THIS DRAWING IS UNPUBLISHED. RELEASED FOR PUBLICATION
 © COPYRIGHT - By - ALL RIGHTS RESERVED.

LOC	DIST	REVISIONS					
ES	00	P	LTR	DESCRIPTION	DATE	DWN	APVD
			B1	REVISED PER ECO-11-005033	08MAR11	RK	HMR



NOTES:
 1. MATERIAL: HOUSING - NYLON 66 (UL94V-0)
 POST - TIN BRASS



RECOMMENDABLE PCB LAYOUT
 (PCB THK: 0.8-1.6)

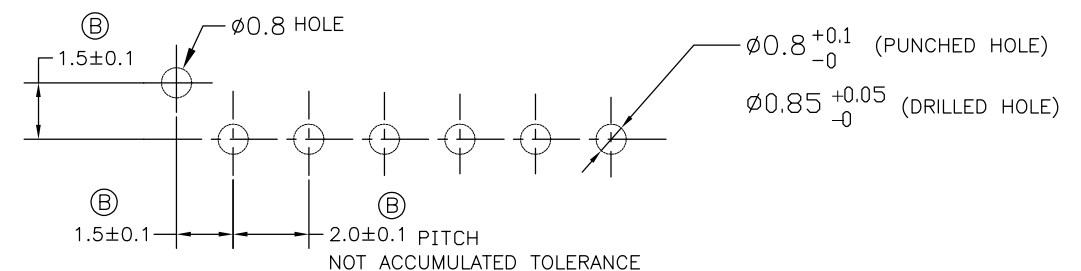
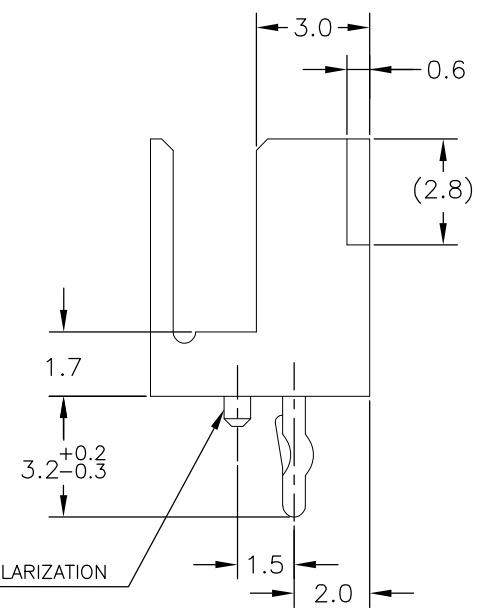
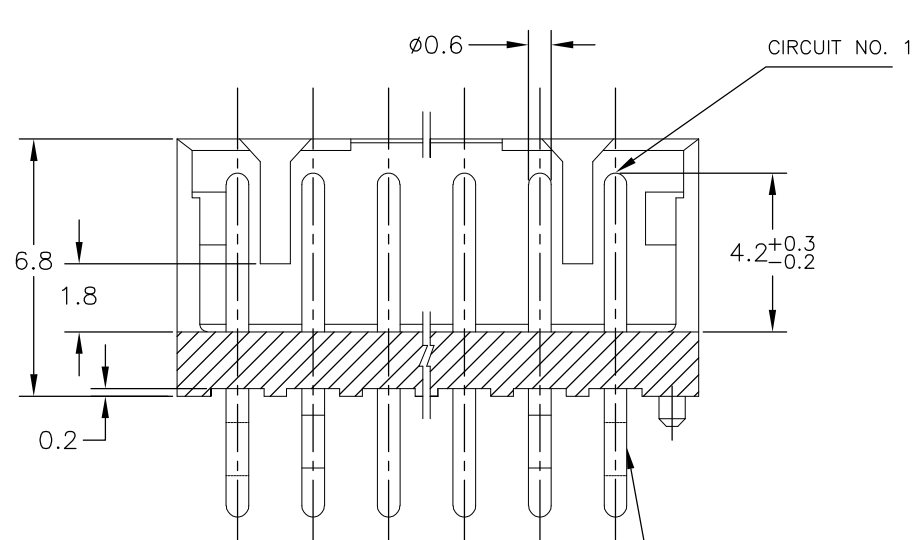
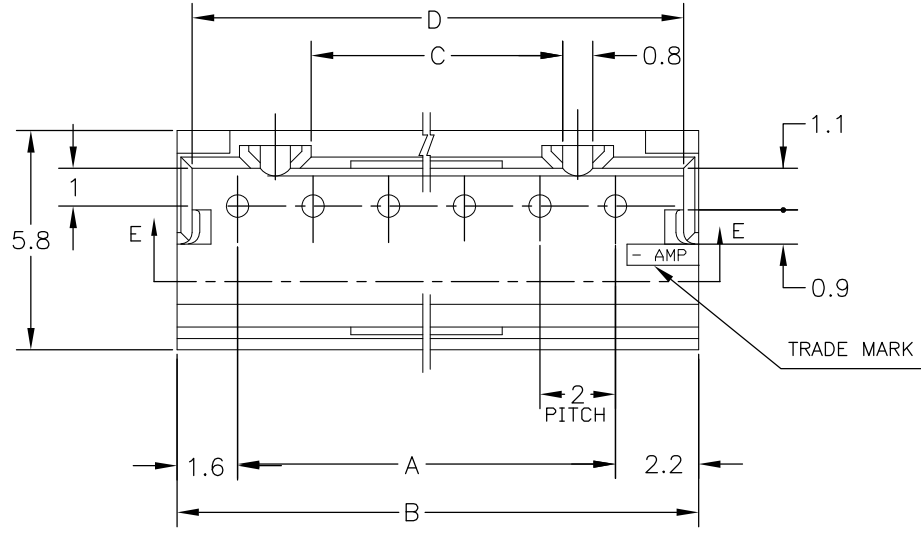
TOLERANCES UNLESS OTHERWISE SPECIFIED:

10 >> *	>10	: ±0.2
30 >> *	>10	: ±0.25
100 >> *	>30	: ±0.3
ANGLE		: ±3°

THIS DRAWING IS A CONTROLLED DOCUMENT.		DWN	S.XU	06NOV03	 TE Connectivity			
DIMENSIONS: mm		CHK	S.YAO	06NOV03				
TOLERANCES UNLESS OTHERWISE SPECIFIED:		APVD	T. SASAKI	06NOV03				
MATERIAL: SEE NOTE		PRODUCT SPEC	108-60016					
TOLERANCES UNLESS OTHERWISE SPECIFIED:		APPLICATION SPEC	-		NAME	POST HEADER ASS'Y POLARIZE TYPE (BOX-V TYPE) (AMP CT CONNECTOR 2mm PITCH)		
ANGLE FINISH: SEE NOTE		SIZE	A3	CAGE CODE	00779	DRAWING NO	C-292251	
CUSTOMER DRAWING		RESTRICTED TO	-		SCALE	5:1	SHEET	1 OF 2
		REV	B1					

THIS DRAWING IS UNPUBLISHED. RELEASED FOR PUBLICATION
 © COPYRIGHT - By - ALL RIGHTS RESERVED.

LOC	DIST	REVISIONS					
ES	00	P	LTR	DESCRIPTION	DATE	DWN	APVD
		-		SEE SHEET 1	-	-	-



NOTES:

- 1.MATERIAL: HOUSING - NYLON 66 (UL94V-0)
- POST - TIN BRASS

	1-292251-5	15	28	31.8	25.2	31.0
	1- -4	14	26	29.8	23.2	29.0
	1- -3	13	24	27.8	21.2	27.0
	1- -2	12	22	25.8	19.2	25.0
	1- -1	11	20	23.8	17.2	23.0
	1- -0	10	18	21.8	15.2	21.0
	-9	9	16	19.8	13.2	19.0
	-8	8	14	17.8	11.2	17.0
	-7	7	12	15.8	9.2	15.0
	-6	6	10	13.8	7.2	13.0
	-5	5	8	11.8	5.2	11.0
2-292251-4	-4	4	6	9.8	3.2	9.0
	-3	3	4	7.8	0	7.0
2-292251-2	292251-2	2	2	5.8	0	5.0
BLUE	NATURAL	Pos.	A	B	C	D

THIS DRAWING IS A CONTROLLED DOCUMENT.

DIMENSIONS: mm

TOLERANCES UNLESS OTHERWISE SPECIFIED:

0 PLC	± -
1 PLC	± -
2 PLC	± -
3 PLC	± -
4 PLC	± -
ANGLES	± -
FINISH	± -

MATERIAL: -

STE TE Connectivity

POST HEADER ASS'Y POLARIZE TYPE (BOX-V TYPE)
(AMP CT CONNECTOR 2mm PITCH)

SIZE: A3 CAGE CODE: 00779 DRAWING NO: C-292251

RESTRICTED TO: -

CUSTOMER DRAWING SCALE: 5:1 SHEET: 2 OF 2 REV: B1