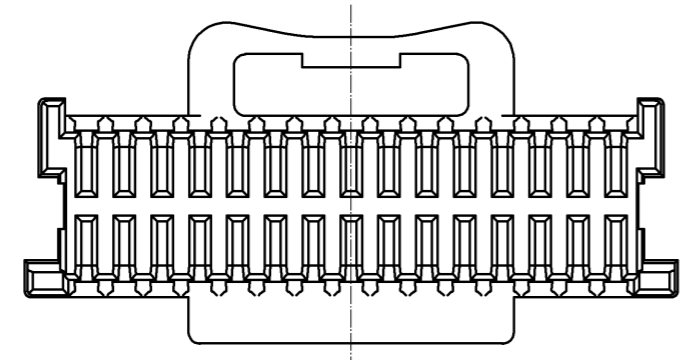
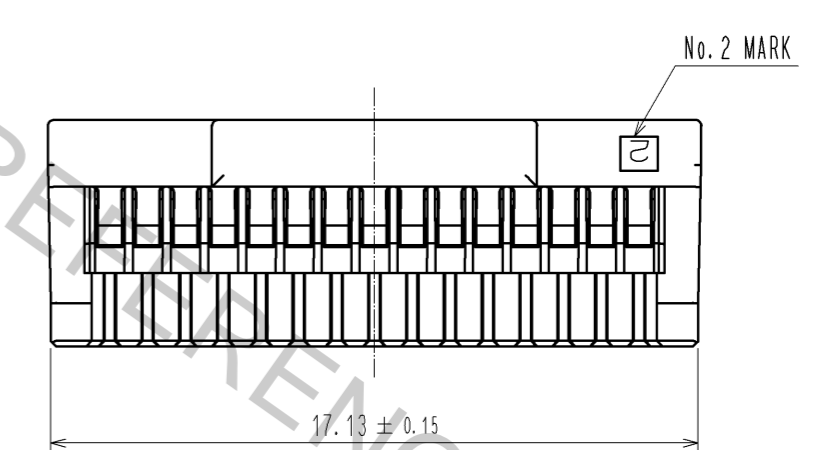
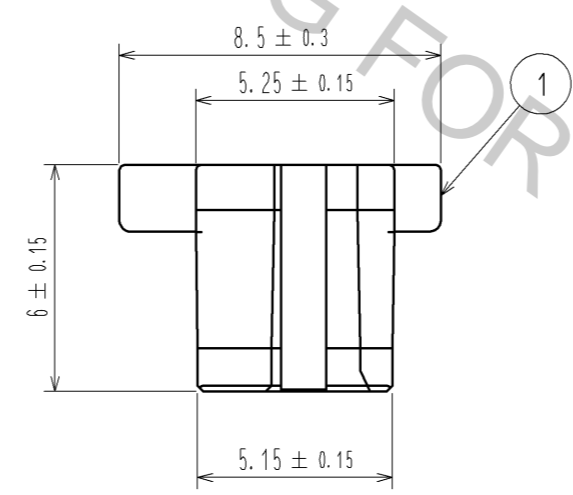
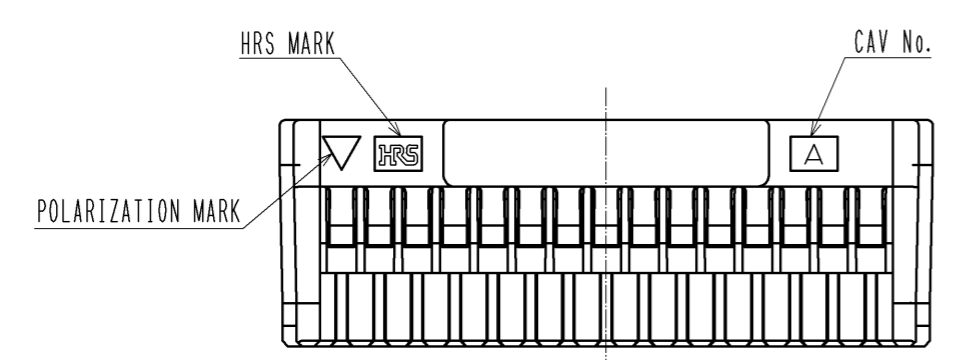
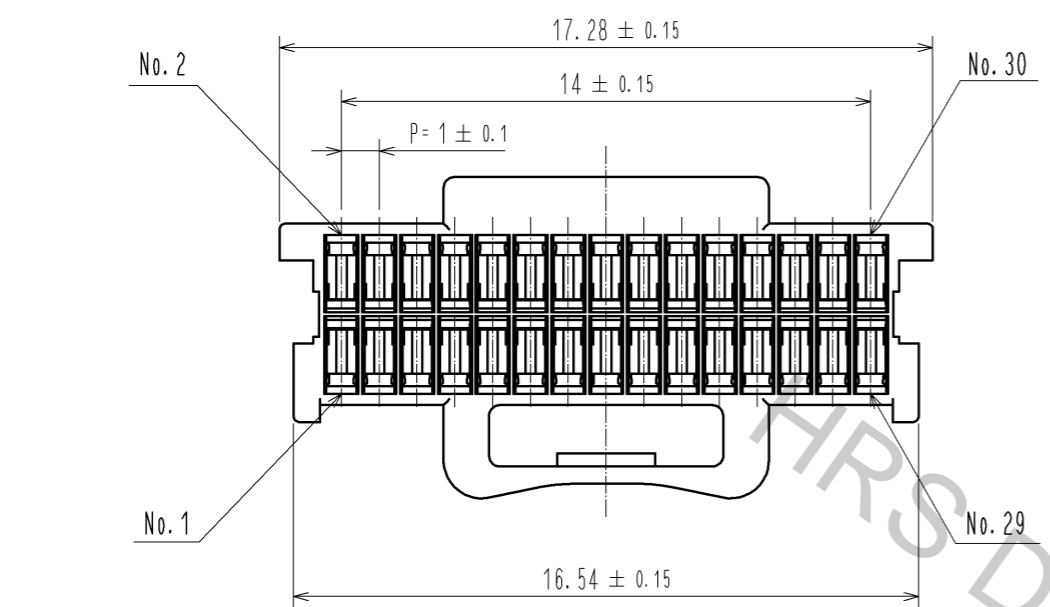


Apr.1.2017 Copyright 2017 HIROSE ELECTRIC CO., LTD. All Rights Reserved.



NOTE1. PER PACK:100 PIECES

NO.	MATERIAL	FINISH . REMARKS	1	PBT	UL94V-0. BLACK
UNITS mm		SCALE 5 : 1	COUNT 	DESCRIPTION OF REVISIONS	DESIGNED
HRS HIROSE ELECTRIC CO., LTD.	APPROVED : KI. AKIYAMA	14. 10. 24	DRAWING NO.	EDC3-339823-01	
	CHECED : TS. FUKUSHIMA	14. 10. 23	PART NO.	DF50S-30DS-1C(15)	
	DESIGNED : HT. SATO	14. 10. 23	CODE NO.	CL665-0021-5-15	
	DRAWN : MI. SAKIMURA	14. 10. 23			1/1