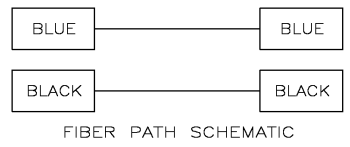
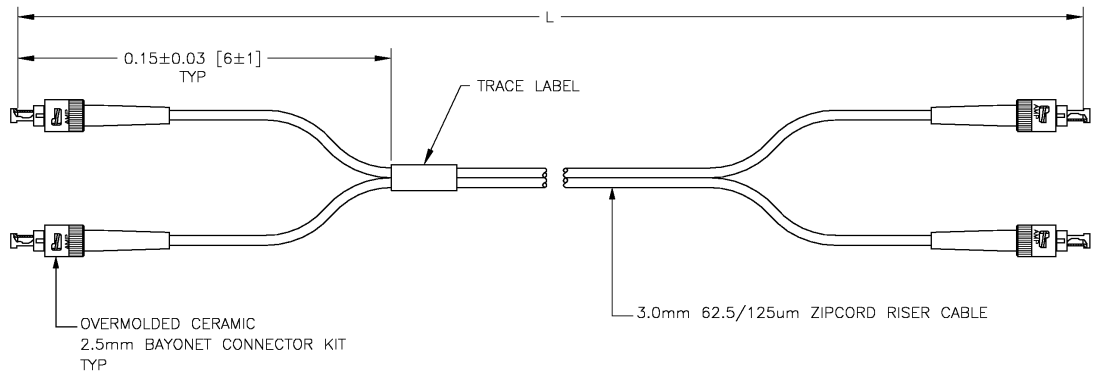


THIS DRAWING IS UNPUBLISHED. RELEASED FOR PUBLICATION
 COPYRIGHT BY TYCO ELECTRONICS CORPORATION. ALL RIGHTS RESERVED.

LOC	DIST	REVISIONS			
#	LTR	DESCRIPTION	DATE	OWN	APP'D
CE	16	N	REVISE PER 0A40-0408-03	28OCT03	JWD JD

1. 0.8 dB MAX INSERTION LOSS.



50.0±0.50	[1969.0±20.00]	5-503995-0
30.0±0.30	[1181.0±12.00]	3-503995-0
20.0±0.30	[787.0±12.00]	2-503995-1
4.00±0.08	[157.5±3.00]	2-503995-0
18.29±0.30	[720.00±12.00]	1-503995-9
14±0.15	[551±6]	1-503995-8
13±0.15	[512±6]	1-503995-7
11±0.15	[433±6]	1-503995-6
15.24±0.30	[600±12]	1-503995-5
12.19±0.15	[480±6]	1-503995-4
7.92±0.15	[312±6]	1-503995-3
6.10±0.08	[240.0±3.0]	1-503995-2
3.66±0.08	[144.0±3.0]	1-503995-1
1.22±0.05	[48.0±2.0]	1-503995-0
0.91±0.05	[36.0±2.0]	503995-9
0.61±0.03	[24.0±1.0]	503995-8
0.30±0.03	[12.0±1.0]	503995-7
7.5±0.08	[295±3]	503995-6
10±0.15	[394±6]	503995-5
5±0.08	[197±3]	503995-4
3±0.05	[118±2]	503995-3
2±0.05	[79±2]	503995-2
1±0.05	[39±2]	503995-1
L		PART NUMBER

THIS DRAWING IS A CONTROLLED DOCUMENT.		28APR99	Tyco Electronics Corporation Harrisburg Pa. 17105-3608	
DIMENSIONS: METERS [INCHES]		0 PLC ± - 1 PLC ± - 2 PLC ± - 3 PLC ± - 4 PLC ± - ANGLES ± -	FINISH	RESTRICTED TO
TOLERANCES UNLESS OTHERWISE SPECIFIED:		APVD	NAME	
DWN S. URICH DJK R. PAUL		19MAY95	L. MILLER	CABLE ASSY, FIBER OPTIC, 62.5/125um ZIP RISER, OVERMOLDED CERAMIC 2.5mm BAYONET, OPTIMATE
MATERIAL		WEIGHT	SIZE	GAGE CODE
-		-	A2	00779
CUSTOMER DRAWING		SCALE	SHEET	REV
		1:1	1	N