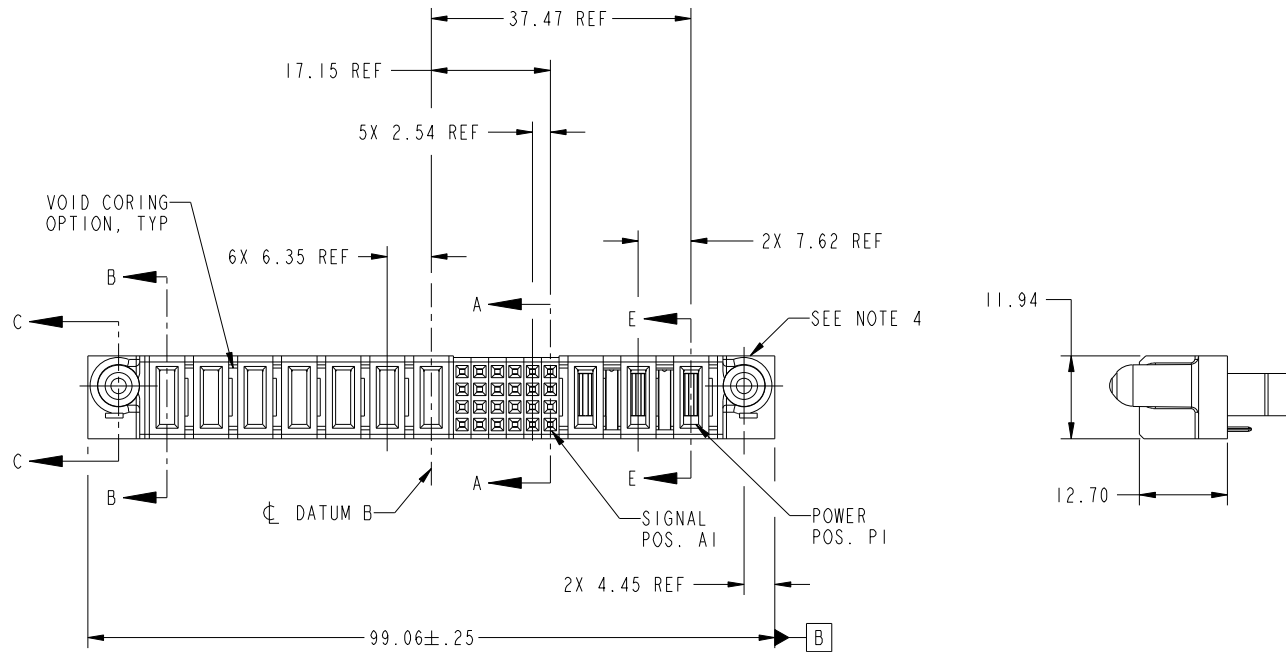


Tous droits strictement reserves. Reproduction ou communication a des tiers interdite sous quelque forme que ce soit sans autorisation écrite du propriétaire. Propriete de c FCI. Droits de reproduction FCI.



All rights strictly reserved. Reproduction or issue to third parties in any form whatever is not permitted without written authority from the proprietor. Property of FCI. Copyright FCI.

PRODUCT NO.	ROWS	POWER							SIGNAL					POWER					
		E2	P10	P9	P8	P7	P6	P5	P4	6	5	4	3	2	1	P3	P2	P1	E1
51940-233-- NOTE: 3	D C B A		PD	PD	PD	PA	PA	PD	PD	E	E	E	E	E	E	PG	PH	PH	



CODE	DIM "M" MATING LENGTH	CONTACT TYPE
E	[N/A]	SIGNAL
PD	[2.34]	POWER
PH	[2.34]	POWER
PG	[1.07]	POWER
PA	[1.07]	POWER

mat'l code				SEE NOTES		tolerances unless otherwise specified		CUSTOMER		 www.fciconnect.com	
ltr	ecn no.	dr	date	linear	0.X ± 0.3	projection		COPY		title	
A	DG07-0347	JC	08/27/07	angles	0.XX ± 0.13			MIM		3ACP + 24S + 7P VERTICAL STB RECEPT	
				dr	0.XXX ± 0.051			product family		PwrBlade	code
				enr	0° ± 2°	scale		size	A	51940-233	213
				chr		1:1		dwg no	sheet		
				appd				1 of 4			
sheet index	revision sheet	A	A	A	A						
		1	2	3	4						
								cage code		22526	

Pro/E

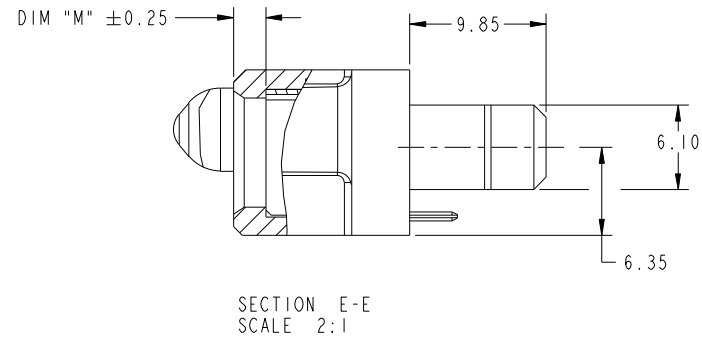
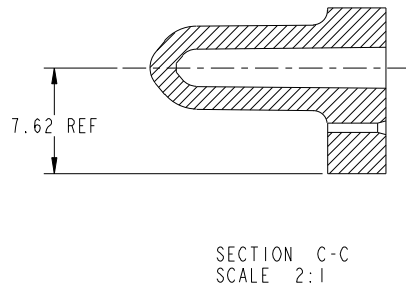
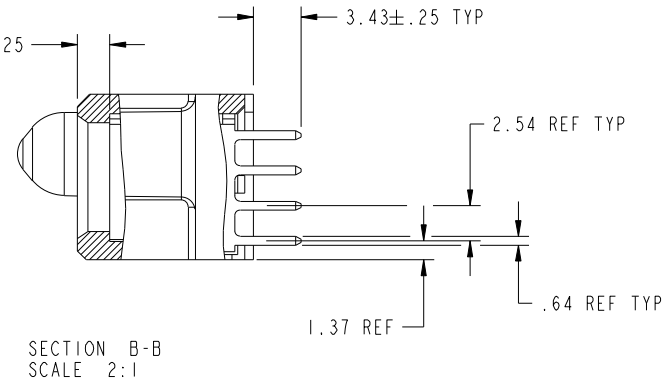
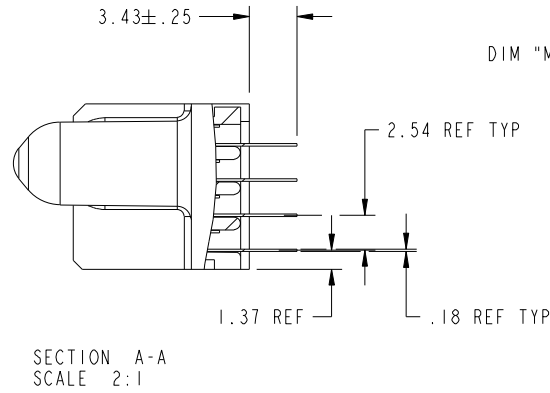
cage code 22526

Tous droits strictement reserves. Reproduction ou communication a des tiers interdite sous quelque forme que ce soit sans autorisation écrite du propriétaire. Propriete de c FCI. Droits de reproduction FCI.

All rights strictly reserved. Reproduction or issue to third parties in any form whatever is not permitted without written authority from the proprietor. Property of FCI. Copyright FCI.



PRODUCT NUMBER
51940-233--
NOTE: 3



mat'l code				tolerances unless otherwise specified		CUSTOMER		FCI	
ltr	ecn no.	dr	date	linear	0.X ± 0.3	COPY		www.fciconnect.com	
A					0.XX ± 0.13	projection		title	
				angles	0.XXX ± 0.051			3ACP + 24S + 7P VERTICAL STB RECEIPT	
				dr	Jerome Chen 08/22/07			product family PwrBlade code	
				enrg	Jerome Chen 08/22/07	scale		size	
				chr	Gary Hsieh 08/22/07	1:1		dwg no 213	
				appd	Joseph Hsia 08/22/07			sheet 2 of 4	
sheet index		revision sheet						cage code	
								22526	

Pro/E

cage code 22526

Tous droits strictement reserves. Reproduction ou communication a des tiers interdite sous quelque forme que ce soit sans autorisation écrite du propriétaire. Propriete de c FCI. Droits de reproduction FCI.

All rights strictly reserved. Reproduction or issue to third parties in any form whatever is not permitted without written authority from the proprietor. Property of FCI. Copyright FCI.

PRODUCT NUMBER
51940-233--
NOTE: 3

NOTES:

1. DIMENSIONS AND TOLERANCES ARE IN ACCORDANCE WITH ASME Y14.5M, 1994 UNLESS OTHERWISE SPECIFIED.

CONNECTOR NOTES:

- 2 HOUSING MATERIAL: UL 94 V-0 GLASS FILLED
HIGH-TEMP THERMOPLASTIC
POWER CONTACT MATERIAL: COPPER ALLOY
SIGNAL PIN MATERIAL: COPPER ALLOY
 - 3. PLATING SPEC.
51940-233, 51940-233LF PLATING SPEC. WAS SHOWN IN THE PRINT OF 10064183.
 - 4 MANUFACTURER'S NAME, P/N, AND DATE CODE TO APPEAR ON THIS SURFACE.
 - 5. PRODUCT SPECIFICATION GS-12-149.
APPLICATION SPECIFICATION BUS-20-067.
 - 6. PACKAGED IN TRAYS.
- PCB NOTES:
- 7. ALL HOLE DIAMETERS ARE FINISHED HOLE SIZE.
 - 8 MOUNTING HOLES, WHERE APPLICABLE, ARE UNPLATED.
 - 9 $\varnothing 1.151 \pm 0.025$ DRILLED HOLES PLATED WITH
0.008 MIN SnPb OR Sn OVER 0.03
TO 0.08 Cu PLATING TO ACHIEVE
 $\varnothing 1.02 \pm .07$ HOLE.
 - 10 "DIM XXX" TO BE DETERMINED BY THE CUSTOMER.
 - 11 CONNECTOR KEEP-OUT ZONE.
 - 12 RECOMMENDED RETENTION TO PCB
 $\varnothing 3.30$ THRU HOLE FOR #5 SOCKET HEAD CAP SCREW MAX. HEAD 5.21
RECOMMENDED SCREW LENGTH 11.99 + PCB THICKNESS.
RECOMMENDED SCREW SEATING TO PCB TORQUE: 2-5 lbf-in (2300-5760 gf-cm).

mat'l code		tolerances unless otherwise specified		CUSTOMER		FCI	
ltr	ecn no.	dr	date	linear	projection	www.fciconnect.com	
A				$0.X \pm 0.3$		title	
				$0.XX \pm 0.13$		3ACP + 24S + 7P VERTICAL STB RECEIPT	
				$0.XXX \pm 0.051$		product family PwrBlade code	
				angles		size	213
				dr Jerome Chen 08/22/07		dwg no	4 of 4
				enr Jerome Chen 08/22/07		51940-233	
				chr Gary Hsieh 08/22/07			
				appd Joseph Hsia 08/22/07	scale		
					1:1		
sheet index	revision sheet						

cage code 22526

Pro/E