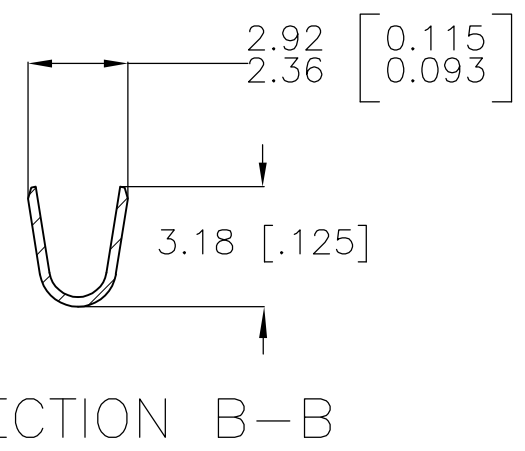
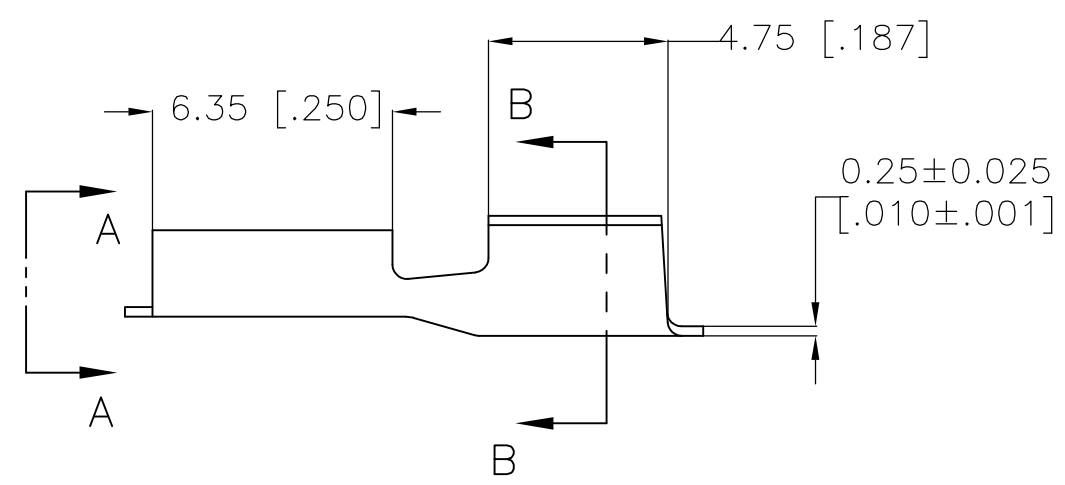
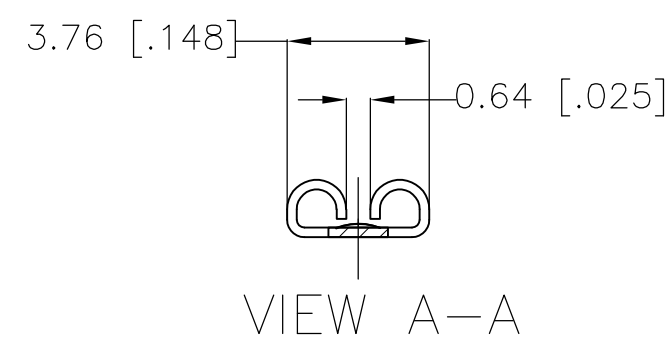
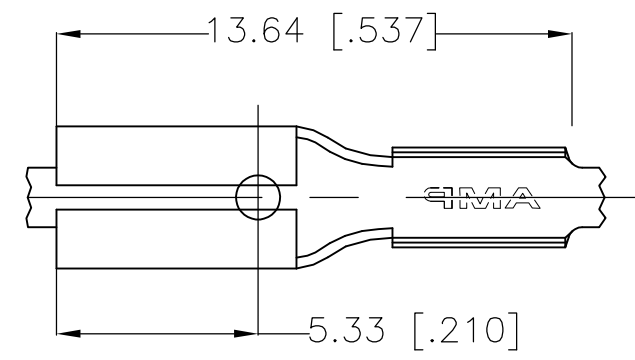


THIS DRAWING IS UNPUBLISHED. RELEASED FOR PUBLICATION
 © COPYRIGHT - By - ALL RIGHTS RESERVED.

LOC	DIST	REVISIONS			
P	LTR	DESCRIPTION	DATE	DWN	APVD
AF	50	D	REVISED PER ECR-12-013459	28NOV2012	KH PD

- △ 1 CONTINUOUS STRIP ON REELS
- 2 WIRE SIZE IS [20-16] AWG
- 3 MATING TAB THK IS 0.41 ± 0.025 [0.016 ± .001].
- △ 4 REELED ON PLASTIC REELS



△ 4	61457-2
	61457-1
	PART NO.

THIS DRAWING IS A CONTROLLED DOCUMENT.		DWN	JR RUTH	30NOV00	STE TE Connectivity		
DIMENSIONS: MM/mil [INCHES]		CHK	MS FEHER	30NOV00			
TOLERANCES UNLESS OTHERWISE SPECIFIED:		APVD	P DESANTIS	30NOV00	NAME		
0 PLC ± -		PRODUCT SPEC		RECEPTACLE, FASTON, 2.79 [.110] SERIES			
1 PLC ± -		APPLICATION SPEC		SIZE			
2 PLC ± 0.38 [.015]		WEIGHT		CAGE CODE			
3 PLC ± -		CUSTOMER DRAWING		DRAWING NO			
4 PLC ± -		SCALE		RESTRICTED TO			
ANGLES ± -		5:1		SHEET			
FINISH		SHEET		REV			
BRASS		1 OF 1		D			
PRE-TIN		REV		D			