



Through Hole Lamp  
Product Data Sheet  
LTW-2S3D8

Spec No. :DS20-2007-0003  
Effective Date: 10/06/2017  
Revision: D

**LITE-ON DCC**

**RELEASE**

**BNS-OD-FC001/A4**

**Through Hole Lamp**  
**LTW-2S3D8**

Through Hole Lamp

LTW-2S3D8

| Rev  | Description                 | By        | Date       |
|--|-----------------------------|-----------|------------|
|  |                             |           |            |
|  |                             |           |            |
|  |                             |           |            |
|  |                             |           |            |
|  |                             |           |            |
| Above data for PD and Customer tracking only |                             |           |            |
| -  | Create new data sheet       | Javy H.   | 02/13/2008 |
| A  | Update DS                   | Leo KC C. | 09/21/2012 |
| B  | Update VF bins              | Makha K.  | 04/06/2015 |
| C  | Paper correction on IV spec | Craig P.  | 03/30/2016 |
| D  | Update Vf bin as PCN        | Norah     | 09/22/2017 |
|  |                             |           |            |

## Through Hole Lamp LTW-2S3D8

### 1. Description

Through-hole white LEDs are offered in a variety of packages such as 3mm, 4mm, 5mm, rectangular and cylinder which are suitable for all applications requiring status indication. Several intensity and viewing angle choices are available in each package for design flexibility.

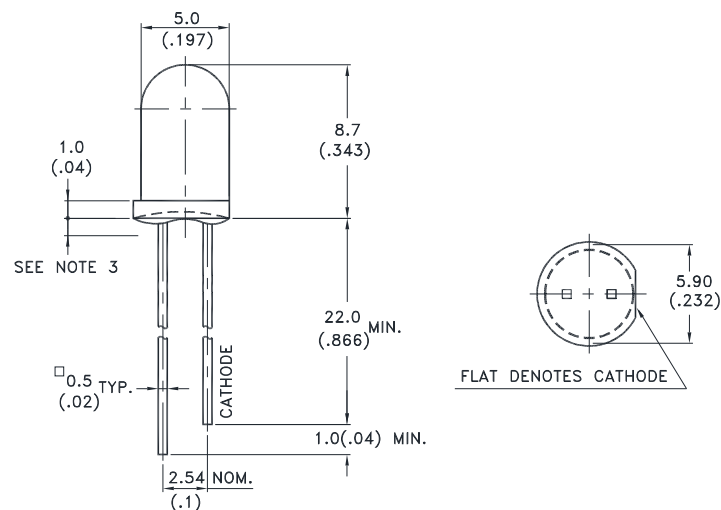
#### 1.1. Features

- Lead (Pb) free product - RoHS compliant
- Low power consumption & High efficiency.
- High efficiency & reliability.
- Versatile mounting on p.c. board or panel.
- I.C. compatible/low current requirement.
- Popular T-1 3/4 diameter. InGaN White & Water Clear lens

#### 1.2. Applications

- Computer
- Communication
- Consumer
- Home appliance
- Industrial

### 2. Outline Dimensions



#### Notes :

1. All dimensions are in millimeters (inches).
2. Tolerance is  $\pm 0.25$ mm (.010") unless otherwise noted.
3. Protruded resin under flange is 1.0mm (.04") max.
4. Lead spacing is measured where the leads emerge from the package.
5. Specifications are subject to change without notice.

## Through Hole Lamp LTW-2S3D8

### 3. Absolute Maximum Ratings at TA=25°C

| Parameter   | Maximum Rating           | Unit  |
|---|--------------------------|-------|
| Power Dissipation   | 93                       | mW    |
| Peak Forward Current<br>(Duty Cycle $\leq$ 1/10, Pulse Width $\leq$ 10ms) | 100                      | mA    |
| DC Forward Current  | 30                       | mA    |
| Derating Linear From 30°C   | 0.45                     | mA/°C |
| Operating Temperature Range   | -40°C to + 85°C          |       |
| Storage Temperature Range   | -40°C to + 100°C         |       |
| Lead Soldering Temperature<br>[2.0mm (.079") From Body]                   | 260°C for 5 Seconds Max. |       |

### 4. Electrical / Optical Characteristics at TA=25°C

| Parameter                | Symbol         | Min.  | Typ.  | Max.  | Unit    | Test Condition   |
|--------------------------|----------------|-------|-------|-------|---------|--|
| Luminous Intensity       | Iv             | 13000 | 23000 | 29000 | mcd     | IF = 20mA<br>Note 1,3,4  |
| Viewing Angle            | 2 $\theta$ 1/2 |       | 15    |       | deg     | Note 2 (Fig.6)   |
| Chromaticity Coordinates | x              |       | 0.30  |       | nm      | IF = 20mA, Note 5<br>Hue Spec. Table &<br>Chromaticity Diagram |
|                          | y              |       | 0.30  |       | nm      |  |
| Forward Voltage          | VF             | 2.5   | 2.8   | 3.1   | V       | IF = 20mA  |
| Reverse Current          | IR             |       |       | 10    | $\mu$ A | VR = 5V  |

#### NOTE:

- Luminous intensity is measured with a light sensor and filter combination that approximates the CIE eye-response curve.
- $\theta$ 1/2 is the off-axis angle at which the luminous intensity is half the axial luminous intensity.
- Iv classification code is marked on each packing bag.
- The Iv guarantee must be included with  $\pm$ 15% testing tolerance.
- The chromaticity coordinates (x, y) is derived from the 1931 CIE chromaticity diagram..
- Reverse voltage (VR) condition is applied for IR test only. The device is not designed for reverse operation.

# Through Hole Lamp LTW-2S3D8

## 5. Typical Electrical / Optical Characteristics Curves

(25°C Ambient Temperature Unless Otherwise Noted)

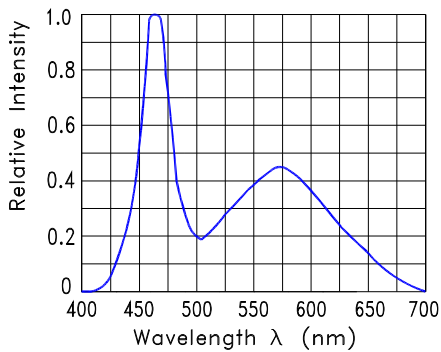


Fig.1 Relative Intensity VS. Wavelength

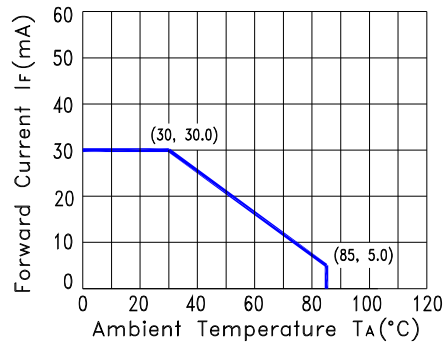


Fig.2 Forward Current Derating Curve

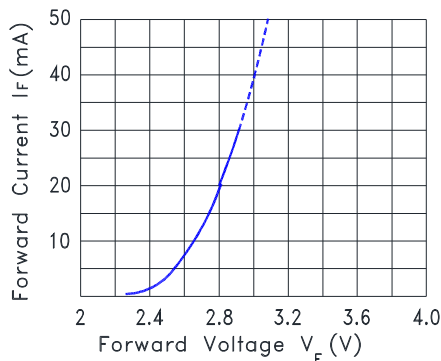


Fig.3 Forward Current vs. Forward Voltage

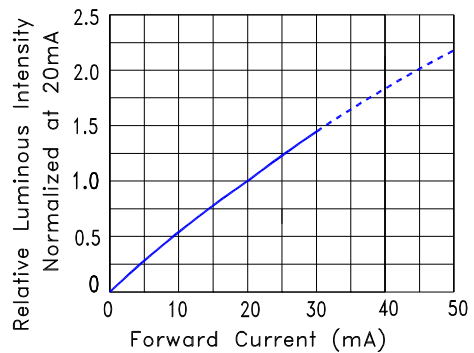


Fig.4 Relative Luminous Intensity vs. Forward Current

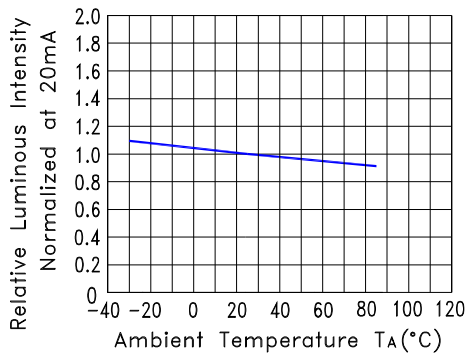


Fig.5 Relative Luminous Intensity VS. Ambient Temperature

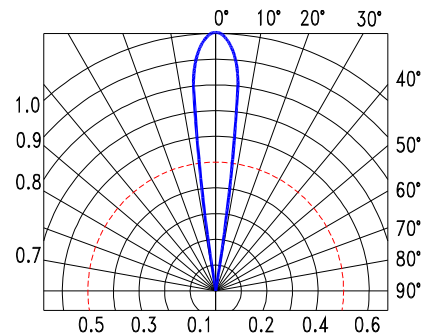
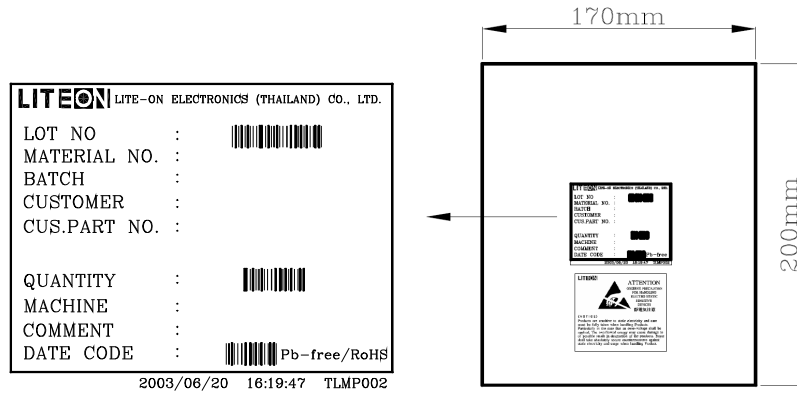


Fig.6 Spatial Distribution

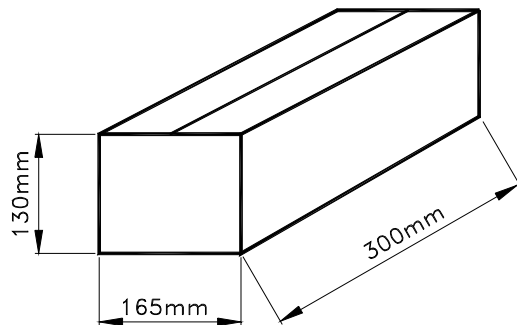
**Through Hole Lamp  
LTW-2S3D8**

**6. Packing Spec.**

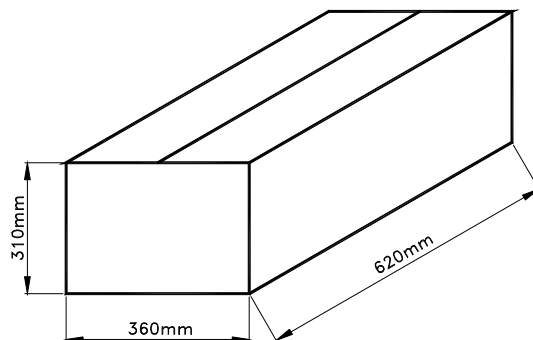
500, 200 or 100 pcs per packing bag



10 packing bags per inner carton  
Total 5,000 pcs per outer carton



8 Inner cartons per outer carton  
Total 40,000 pcs per outer carton  
In every shipping lot, only the last pack will be non-full packing



**Through Hole Lamp  
LTW-2S3D8**

**7. Bin Table Specification**

| Luminous Intensity Iv (mcd) IF@20mA |       |       |
|-------------------------------------|-------|-------|
| Bin Code                            | Min.  | Max.  |
| Z1                                  | 13000 | 17000 |
| Z2                                  | 17000 | 22000 |
| Z3                                  | 22000 | 29000 |

Note: Tolerance of each bin limit is  $\pm 15\%$

| Forward Voltage VF (V) IF@20mA |      |      |
|--------------------------------|------|------|
| Bin Code                       | Min. | Max. |
| 0F                             | 2.50 | 2.60 |
| 1F                             | 2.60 | 2.70 |
| 2F                             | 2.70 | 2.80 |
| 3F                             | 2.80 | 2.90 |
| 4F                             | 2.90 | 3.00 |
| 5F                             | 3.00 | 3.10 |

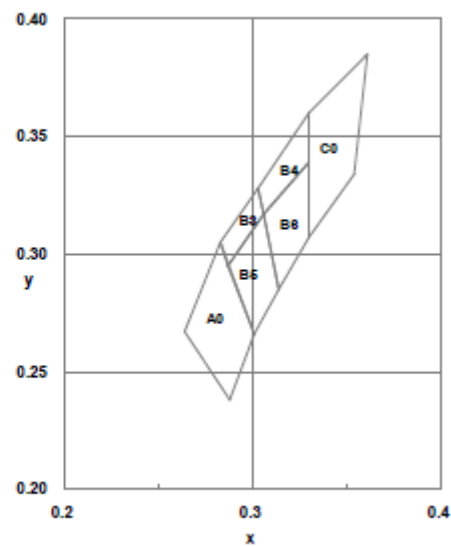
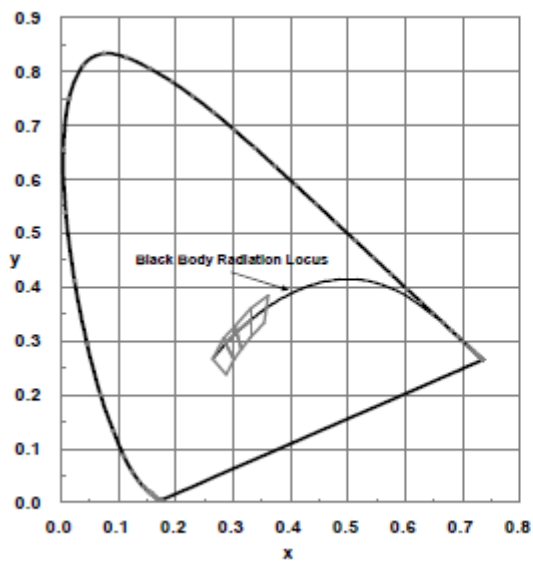
Note: Forward Voltage Measurement allowance is  $\pm 0.1V$

## Through Hole Lamp LTW-2S3D8

| Hue Ranks | Chromaticity Coordinates, CC(x, y), IF@20mA |       |       |       |       |
|-----------|---|-------|-------|-------|-------|
| C0        | x   | 0.330 | 0.330 | 0.361 | 0.354 |
|           | y   | 0.307 | 0.360 | 0.385 | 0.334 |
| B4        | x   | 0.330 | 0.330 | 0.306 | 0.303 |
|           | y   | 0.360 | 0.339 | 0.317 | 0.328 |
| B6        | x   | 0.330 | 0.330 | 0.314 | 0.306 |
|           | y   | 0.339 | 0.307 | 0.285 | 0.317 |
| B3        | x   | 0.303 | 0.306 | 0.287 | 0.283 |
|           | y   | 0.328 | 0.317 | 0.295 | 0.305 |
| B5        | x   | 0.306 | 0.314 | 0.301 | 0.287 |
|           | y   | 0.317 | 0.385 | 0.266 | 0.295 |
| A0        | x   | 0.288 | 0.264 | 0.283 | 0.301 |
|           | y   | 0.238 | 0.267 | 0.305 | 0.266 |

Note: Color Coordinates Measurement allowance is  $\pm 0.01$

### C.I.E. 1931 Chromaticity Diagram





## Through Hole Lamp LTW-2S3D8

### 8. CAUTIONS

#### 8.1. Application

This LED lamp is good for application of indoor and outdoor sign, also ordinary electronic equipment.

#### 8.2. Storage

The storage ambient for the LEDs should not exceed 30°C temperature or 70% relative humidity. It is recommended that LEDs out of their original packaging are used within three months. For extended storage out of their original packaging, it is recommended that the LEDs be stored in a sealed container with appropriate desiccant or in desiccators with nitrogen ambient.

#### 8.3. Cleaning

Use alcohol-based cleaning solvents such as isopropyl alcohol to clean the LEDs if necessary.

#### 8.4. Lead Forming & Assembly

During lead forming, the leads should be bent at a point at least 3mm from the base of LED lens. Do not use the base of the lead frame as a fulcrum during forming. Lead forming must be done before soldering, at normal temperature. During assembly on PCB, use minimum clinch force possible to avoid excessive mechanical stress.

#### 8.5. Soldering

When soldering, leave a minimum of 2mm clearance from the base of the lens to the soldering point. Dipping the lens into the solder must be avoided. Do not apply any external stress to the lead frame during soldering while the LED is at high temperature.

#### Recommended soldering conditions:

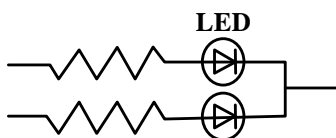
| Soldering iron |   | Wave soldering   |  |
|----------------|---|------------------|--|
| Temperature    | 350°C Max.  | Pre-heat         | 100°C Max.   |
| Soldering time | 3 seconds Max.<br>(one time only)                     | Pre-heat time    | 60 seconds Max.                                      |
| Position       | No closer than 2mm<br>from the base of the epoxy bulb | Solder wave      | 260°C Max.   |
|                |   | Soldering time   | 5 seconds Max.                                       |
|                |   | Dipping Position | No lower than 2mm from the<br>base of the epoxy bulb |

Note: Excessive soldering temperature and/or time might result in deformation of the LED lens or catastrophic failure of the LED. IR reflow is not suitable process for through hole type LED lamp product.

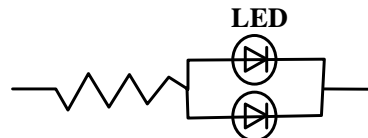
#### 8.6. Drive Method

An LED is a current-operated device. In order to ensure intensity uniformity on multiple LEDs connected in parallel in an application, it is recommended that a current limiting resistor be incorporated in the drive circuit, in series with each LED as shown in Circuit A below.

Circuit model (A)



Circuit model (B)



(A) Recommended circuit

(B) The brightness of each LED might appear different due to the differences in the I-V characteristics of those LEDs.

## Through Hole Lamp LTW-2S3D8

### 8.7. ESD (Electrostatic Discharge)

**Static Electricity or power surge will damage the LED.**

**Suggestions to prevent ESD damage:**

- Use a conductive wrist band or anti- electrostatic glove when handling these LEDs
- All devices, equipment, and machinery must be properly grounded
- Work tables, storage racks, etc. should be properly grounded
- Use ion blower to neutralize the static charge which might have built up on surface of the LEDs plastic lens as a result of friction between LEDs during storage and handing

**Suggested checking list:**

#### Training and Certification

- 8.7.1.1. Everyone working in a static-safe area is ESD-certified?
- 8.7.1.2. Training records kept and re-certification dates monitored?

#### Static-Safe Workstation & Work Areas

- 8.7.2.1. Static-safe workstation or work-areas have ESD signs?
- 8.7.2.2. All surfaces and objects at all static-safe workstation and within 1 ft measure less than 100V?
- 8.7.2.3. All ionizer activated, positioned towards the units?
- 8.7.2.4. Each work surface mats grounding is good?

#### Personnel Grounding

- 8.7.3.1. Every person (including visitors) handling ESD sensitive (ESDS) items wear wrist strap, heel strap or conductive shoes with conductive flooring?
- 8.7.3.1. If conductive footwear used, conductive flooring also present where operator stand or walk?
- 8.7.3.2. Garments, hairs or anything closer than 1 ft to ESD items measure less than 100V\*?
- 8.7.3.3. Every wrist strap or heel strap/conductive shoes checked daily and result recorded for all DLs?
- 8.7.3.4. All wrist strap or heel strap checkers calibration up to date?

Note: \*50V for Blue LED.

#### Device Handling

- 8.7.4.1. Every ESDS items identified by EIA-471 labels on item or packaging?
- 8.7.4.2. All ESDS items completely inside properly closed static-shielding containers when not at static-safe workstation?
- 8.7.4.3. No static charge generators (e.g. plastics) inside shielding containers with ESDS items?
- 8.7.4.4. All flexible conductive and dissipative package materials inspected before reuse or recycle?

#### Others

- 8.7.5.1. Audit result reported to entity ESD control coordinator?
- 8.7.5.2. Corrective action from previous audits completed?
- 8.7.5.3. Are audit records complete and on file?

## Through Hole Lamp LTW-2S3D8

### 9. Reliability Test

| Classification     | Test Item                                    | Test Condition  | Sample Size                       | Reference Standard   |
|--------------------|--|---|-----------------------------------|--|
| Endurance Test     | Operation Life                               | Ta = Under Room Temperature<br>IF = Per Data Sheet Maximum Rating<br>Test Time= 1000hrs                       | 22 PCS<br>(CL=90%;<br>LTPD=10%)   | MIL-STD-750D:1026<br>MIL-STD-883G:1005   |
|                    | High Temperature High Humidity storage (THB) | Ta = 60°C<br>RH = 90%<br>Test Time= 1000hrs   | 22 PCS<br>(CL=90%;<br>LTPD=10%)   | MIL-STD-202G:103B<br>JEITA ED-4701:100 103                                       |
|                    | High Temperature Storage                     | Ta= 105 ± 5°C<br>Test Time= 1000hrs   | 22 PCS<br>(CL=90%;<br>LTPD=10%)   | MIL-STD-750D:1031<br>MIL-STD-883G:1008<br>JEITA ED-4701:200 201                  |
|                    | Low Temperature Storage                      | Ta= -55 ± 5°C<br>Test Time= 1000hrs   | 22 PCS<br>(CL=90%;<br>LTPD=10%)   | JEITA ED-4701:200 202  |
| Environmental Test | Temperature Cycling                          | 100°C ~ 25°C ~ -40°C ~ 25°C<br>30mins 5mins 30mins 5mins<br>Test time: 30 Cycles                              | 22 PCS<br>(CL=90%;<br>LTPD=10%)   | MIL-STD-750D:1051<br>MIL-STD-883G:1010<br>JEITA ED-4701:100 105<br>JESD22-A104C  |
|                    | Thermal Shock                                | 100 ± 5°C ~ -30°C ± 5°C<br>15mins 15mins<br>Test time: 30 Cycles  | 22 PCS<br>(CL=90%;<br>LTPD=10%)   | MIL-STD-750D:1056<br>MIL-STD-883G:1011<br>MIL-STD-202G:107G<br>JESD22-A106B      |
|                    | Solder Resistance                            | T. sol = 260 ± 5°C<br>Dwell Time= 10±1 seconds<br>3mm from the base of the epoxy bulb                         | 11 PCS<br>(CL=90%;<br>LTPD=18.9%) | MIL-STD-750D:2031<br>JEITA ED-4701: 300 302                                      |
|                    | Solderability                                | T. sol = 245 ± 5°C<br>Dwell Time= 5 ± 0.5 seconds<br>(Lead Free Solder, Coverage ≥ 95% of the dipped surface) | 11 PCS<br>(CL=90%;<br>LTPD=18.9%) | MIL-STD-750D:2026<br>MIL-STD-883G:2003<br>MIL-STD-202G:208H<br>IPC/EIA J-STD-002 |
|                    | Soldering Iron                               | T. sol = 350 ± 5°C<br>Dwell Time= 3.5 ± 0.5 seconds   | 11 PCS<br>(CL=90%;<br>LTPD=18.9%) | MIL-STD-202G:208H<br>JEITA ED-4701:300 302                                       |

### 10. Others

White LED is materialized by combining blue LED and phosphors. Color of White LED is changed a little by an operating current.

The appearance and specifications of the product may be modified for improvement, without prior notice.