

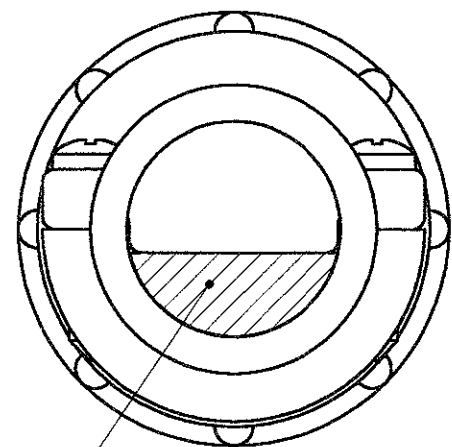
THIS DRAWING IS UNPUBLISHED.

RELEASED FOR PUBLICATION

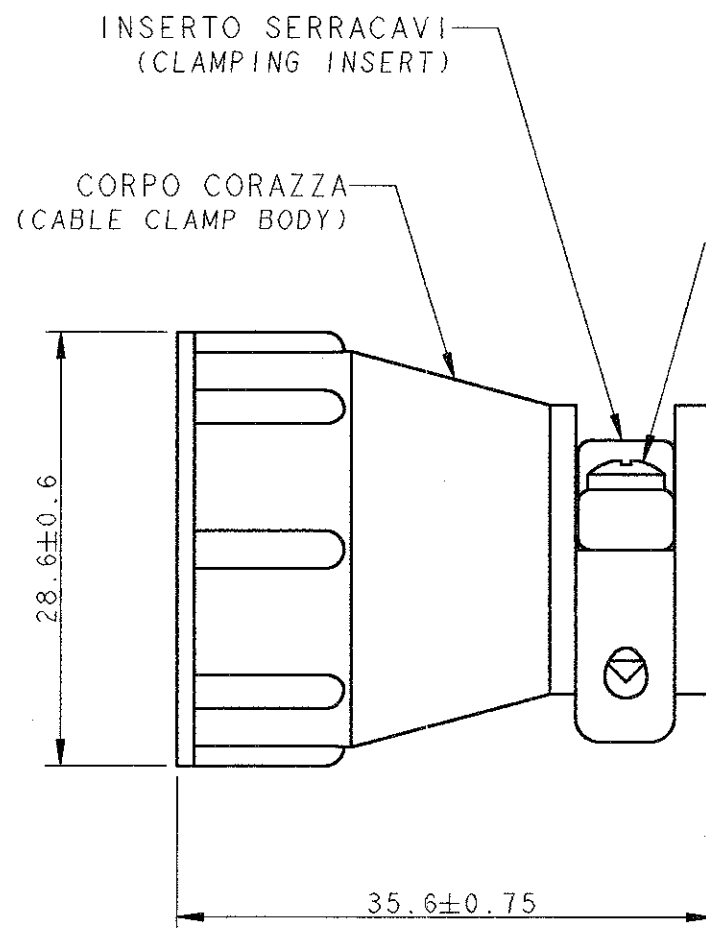
© COPYRIGHT



ALL RIGHTS RESERVED.

LOC	DIST	REVISIONS			
P	LTR	DESCRIPTION	DATE	DWN	APVD
		C1 REVISED PER ECO-11-005140	01APR11	RK	HMR


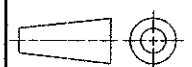


AREA SERRAGGIO CAVI
(CLAMPING AREA)



- 1) MATERIALE : TERMOPLASTICO, COLORE NERO
(MATERIAL : THERMOPLASTIC, BLACK COLOUR)
- 2) PARTICOLARI FORNITI NON ASSEMBLATI IN SACCHETTO DI PLASTICA
(PARTS PACKAGED UNASSEMBLED INTO A PLASTIC BAG)
- 3) L'AREA SERRAGGIO CAVI E' VARIABILE DA 6.45 A 103.9 mm²
IN FUNZIONE DEL TIPO E POSIZIONE DELL'INSERTO SERRACAVO
(CABLE CLAMPING AREA ADJUSTABLE FROM .010 TO .410 SQ. IN.
BY SELECTING AND REVERSING CLAMPING INSERTS)
- 4) QUESTO CONNETTORE E' RICONOSCIUTO  E CERTIFICATO 
(THIS CONNECTOR IS UL RECOGNIZED AND CSA CERTIFIED)
- 5) Ø MAX DEL FASCIO CAVI = 11.5 mm.
(MAXIMUM CABLE O.D. = .453 IN.)

P/N 182655-1 COME RAPPRESENTATO
(P/N 182655-1 AS SHOWN)

DWN R. FABRIS		06DEC00		 TE Connectivity	
CHK -		-			
APVD C. TARTARI		-		NAME C.P.C. CABLE CLAMP KIT	
PRODUCT SPEC 108-10024		-		SIZE A3	
APPLICATION SPEC -		-		CAGE CODE 00779	
MATERIAL -		FINISH -		DRAWING NO C-182655	
DIMENSIONS: mm		TOLERANCES UNLESS OTHERWISE SPECIFIED:		SCALE 2:1	
		0 PLC ± 1 PLC ± 2 PLC ± ±0.3 3 PLC ± 4 PLC ± ANGLES ±2°		SHEET 1	
CUSTOMER DRAWING				OF 1	
				REV C1	