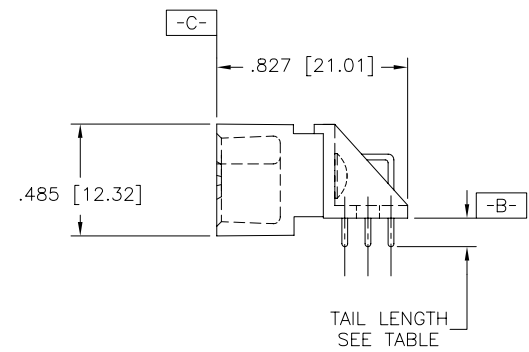
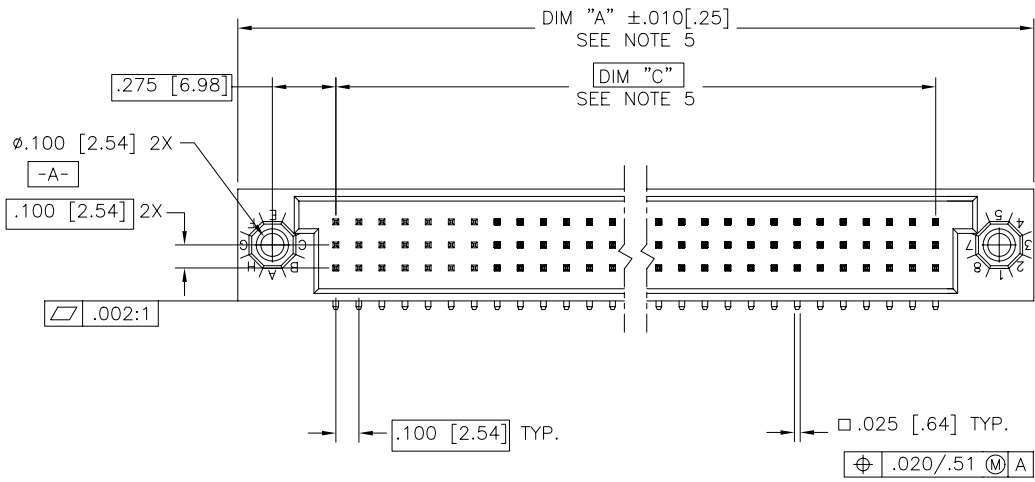
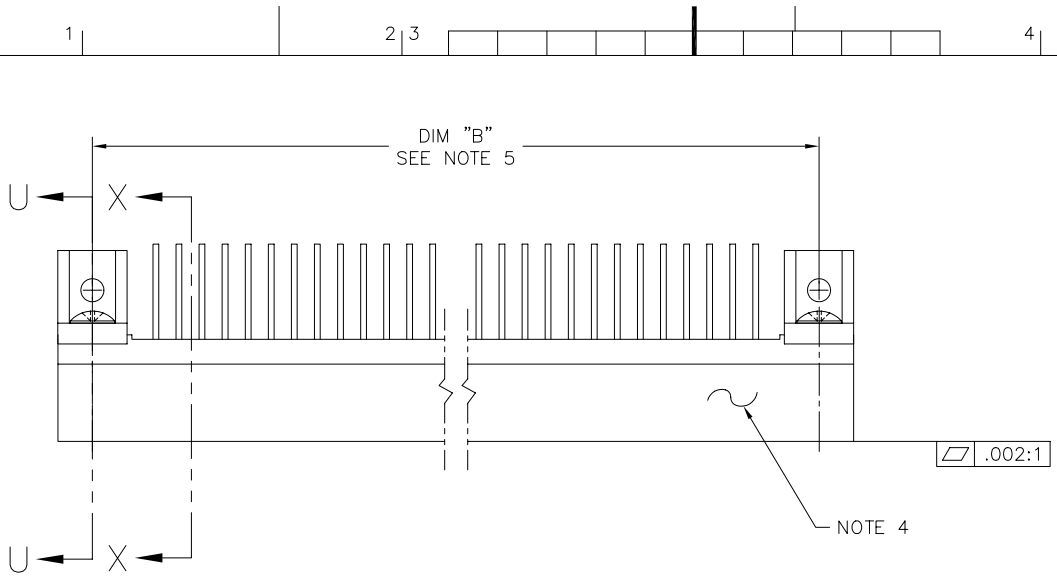




FCIconnect.com

Copyright FCI

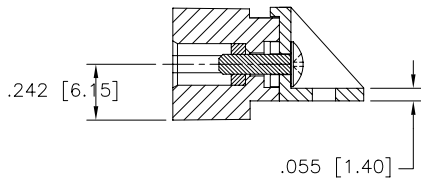
PRODUCT NUMBER
SEE TABLE



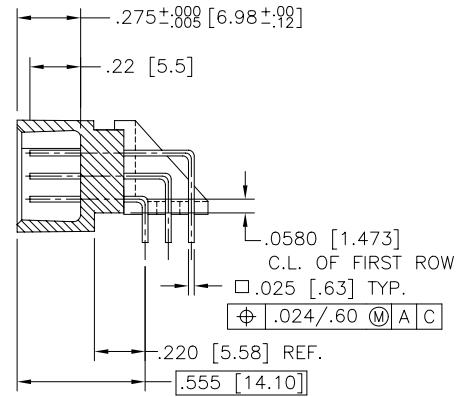
mat'l. code SEE NOTE 3		surface ISO 1302 ✓		tolerance ISO 406 ISO 1101		projection ⊕		product family HPC	
ltr	ecn no	dr	date	tolerances unless otherwise specified		INCH/MM		title	
E	v40227	PDP	1/11/94	angles	linear	.xx ±.01/.3		3 ROW R/A HEADER	
F	v90522	HTB	2/26/99			.xxx ±.005/.13		SOLDER TO BOARD, 0 G.P.	
G	v00262	JWS	1/25/00	σ±2'		.xxxx ±.0020/.051		scale 1:1	
H	v02768	LSS	11/21/00	dr	D. SHEAFFER	6/05/91		dwg no	
J	v05-0756	DAI	10/07/05	enfr	S. CLARK	6/05/91		sheet 1 of 3 size	
K	v05-1040	HTB	11/14/05	chr	S. CLARK	6/05/91		50119 A3	
L	M06-0255	MNR	7/06/06	appd	S. CLARK	6/05/91		type Product Customer Drawing	
sheet	revision	L	L	L					
index	sheet	1	2	3					

form: A3

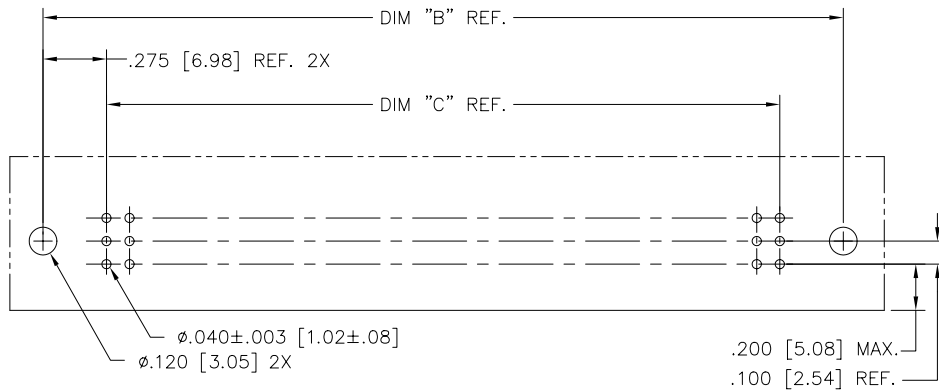
PRODUCT NUMBER
SEE TABLE



SECTION U-U



SECTION X-X



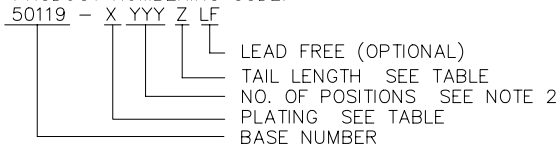
RECOMMENDED PCB LAYOUT
(ALL HOLES LOCATED ON .100/2.54 GRID
UNLESS OTHERWISE SPECIFIED)

mat'l. code SEE NOTE 3		surface ISO 1302 ✓	tolerance ISO 406 ISO 1101	projection ⊕	product family HPC
ltr	ecn	no	dr	date	tolerances unless otherwise specified
L					angles linear .xx ±.01/.3 .xxx ±.005/.13 °±2' .xxxx ±.0020/.051
					scale 1:1
			dr	D. SHEAFFER	6/05/91
			enr	S. CLARK	6/05/91
			chr	S. CLARK	6/05/91
			appd	S. CLARK	6/05/91
sheet	revision				
index	sheet				
				INCH/MM	title 3 ROW R/A HEADER SOLDER TO BOARD, 0 G.P.
				FCJ	dwg no 50119 sheet 2 of 3 size A3
					type Product Customer Drawing

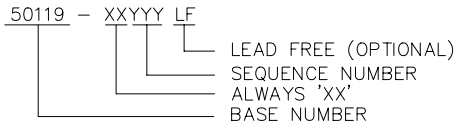
PRODUCT NUMBER	NUMBER OF POSITIONS SEE NOTE 2	TAIL LENGTH REF.	TERMINAL PLATING
50119 - 1YYYY	YYY	.180/4.57	30μ"/.76μ GOLD
50119 - 1YYYYJ	YYY	.120/3.05	30μ"/.76μ GOLD
50119 - 3YYYYH	YYY	.180/4.57	50μ"/1.27μ GOLD
50119 - 3YYYYJ	YYY	.120/3.05	50μ"/1.27μ GOLD
50119 - 5YYYYH	YYY	.180/4.57	30μ"/.76μ GXT
50119 - 5YYYYHLF	YYY	.180/4.57	30μ"/.76μ GXT
50119 - 5YYYYJ	YYY	.120/3.05	30μ"/.76μ GXT
50119 - 5YYYYJLF	YYY	.120/3.05	30μ"/.76μ GXT

NOTES:

1. PRODUCT NUMBERING CODE:



PRODUCT NUMBERING CODE FOR
SELECT LOAD PART NUMBERS:



2. THIS PRODUCT IS CONFIGURED IN SIZES OF 6 THRU 80 COLUMNS IN INCREMENTS OF ONE.
i.e.: 6,7,8,9,.....78,79,80.

3. HOUSING MATERIAL: GLASS AND MINERAL FILLED HIGH TEMP. THERMOPLASTIC. FLAME RETARDANT PER UL94V-0. COLOR: BLACK.
PIN MATERIAL: PHOS. BRONZE

4. MANUFACTURE'S NAME, P/N, AND LOT CODE TO APPEAR ON THIS SURFACE PER BUS-12-108.

5. LENGTH FORMULAS:

DIM "A" = .100/2.54 x NO. OF COLUMNS + .75/19.1
DIM "B" = .100/2.54 x NO. OF COLUMNS + .450/11.43
DIM "C" = .100/2.54 x NO. OF COLUMNS - .100/2.54

6. THIS PRODUCT (WITH "LF" SUFFIX) MEETS EUROPEAN UNION DIRECTIVES AND OTHER COUNTRY REGULATIONS AS DESCRIBED IN GS-22-008.
7. THIS HOUSING WILL WITHSTAND EXPOSURE TO 260° C PEAK TEMPERATURE FOR 10-30 SECONDS IN A CONVECTION, INFRA-RED OR VAPOR PHASE REFLOW OVEN.



FCJconnect.com

Copyright FCJ

mat'l. code SEE NOTE 3		surface ISO 1302 ✓	tolerance ISO 406 ISO 1101	projection ⊕	product family HPC
ltr	ecn	no	dr	date	tolerances unless otherwise specified
L					angles linear .xx ±.01/.3 .xxx ±.005/.13 .xxxx ±.0020/.051
				INCH/MM	title 3 ROW R/A HEADER SOLDER TO BOARD, 0 G.P.
				scale 1:1	dwg no 50119
				dr D. SHEAFFER 6/05/91	sheet 3 of 3 size A3
				enr S. CLARK 6/05/91	FCJ
				chr S. CLARK 6/05/91	
				appd S. CLARK 6/05/91	
sheet index	revision sheet				type Product Customer Drawing