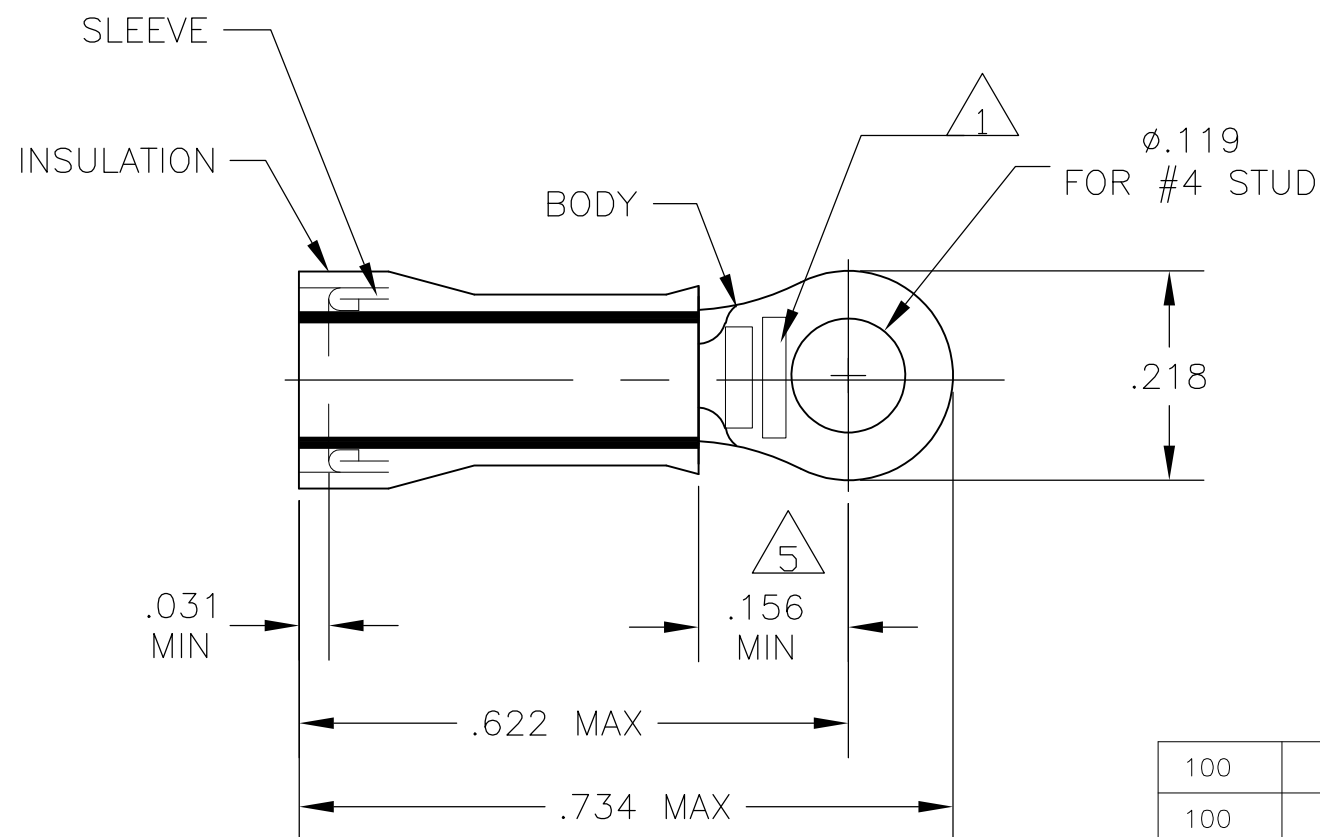


THIS DRAWING IS UNPUBLISHED. RELEASED FOR PUBLICATION
 © COPYRIGHT - BY TYCO ELECTRONICS CORPORATION. ALL RIGHTS RESERVED.

LOC	DIST	REVISIONS			
P	LTR	DESCRIPTION	DATE	DWN	APVD
G	14	M1	REV PER ECR 10-000871	13JAN10	JR TM

AMP WIRE RANGE	E13288 Listed	LR7189 Certified
22-16 AWG SOLID OR STRANDED	22-16 AWG SOLID OR STRANDED	22-16 AWG SOLID OR STRANDED

- 1 STAMP "AMP 22-18*", APPROX AS SHOWN
22-16 TERMINALS ARE STAMPED 22-18 IN
ACCORDANCE WITH MILITARY SPEC AS7928,
COMMERCIAL WIRE RANGE IS 22-16
- 2 WIRE INSULATION DIA: SEE TABLE
- 3 TONGUE MATERIAL THK: .031±.002
- 4 BODY & SLEEVE: CU PER ASTM B152
BODY & SLEEVE: TIN PLATE .000100 MIN
EXT THK PER ASTM B545
INSULATION: NYLON PER ASTM D4066, COLOR - RED
- 5 APPLIES FROM EDGE OF METAL WIRE BARREL
TO CENTER OF STUD HOLE.
- 6 MEETS M7928/1-11, CLASS 1 & 2
- 7 MEETS M7928/1-20, CLASS 1 & 2
- 8 MEETS M7928/1-29, CLASS 1 & 2



OBSOLETE
 OBSOLETE
 OBSOLETE

QTY	PACKAGE TYPE	WIRE STAMPING	WIRE INSUL. DIA	WIRE SIZE	COLOR CODE	MATERIAL FINISH	PART NO
100	LOOSE PIECE, BOX	18	.056-.110	18	WHITE	4	9-52273-1
100	LOOSE PIECE, BOX	20	.046-.110	20	RED		8-52273-1
100	LOOSE PIECE, BOX	22	.038-.110	22	GREEN		7-52273-1
2500	52273-2 ON TAPE, REELED	18	.056-.110	18	WHITE		52273-5
2500	52273 ON TAPE, REELED	22	.038-.110	22	GREEN		52273-4
2500	52273-1 ON TAPE, REELED	20	.046-.110	20	RED		52273-3
500	LOOSE PIECE	18	.056-.110	18	WHITE		8 52273-2
500	LOOSE PIECE	20	.046-.110	20	RED		7 52273-1
500	LOOSE PIECE	22	.038-.110	22	GREEN	6 52273	

CUSTOMER SERVICE SYSTEMS		MAX RECOMMENDED OPERATING TEMPERATURE: 105°C MAX	THIS DRAWING IS A CONTROLLED DOCUMENT.		DWN JR RUTH 13JAN10	Tyco Electronics Corporation Harrisburg, Pa 17105-3608	
FOR ADDITIONAL PRODUCT INFORMATION OR COPIES OF DRAWINGS AND TECHNICAL DOCUMENTS	PRODUCT INFORMATION CENTER 1-800-522-6752	VOLTAGE RATING: 300 V MAX	DIMENSIONS: INCHES	TOLERANCES UNLESS OTHERWISE SPECIFIED:	CHK T MICHIELUTTI 13JAN10	NAME TERMINAL, RING TONGUE, PIDG, INSULATION RESTRICTING, WIRE SIZE: 22-16 AWG	
FOR APPLICATION TOOLING INFORMATION	TOOLING ASSISTANCE CENTER 1-800-722-1111	CIRCULAR MIL AREA: 0.26-1.65mm² [509-3,260] STRANDED OR SOLID		0 PLC ± - 1 PLC ± - 2 PLC ± - 3 PLC ± .008 4 PLC ± - ANGLES ± -	APVD T MICHIELUTTI 13JAN10	PRODUCT SPEC	SIZE A3
FOR ORDER ENTRY	1-800-526-5142	THIS DRAWING IS A CONTROLLED DOCUMENT FOR AMP INCORPORATED. IT IS SUBJECT TO CHANGE AND THE CONTROLLING ENGINEERING ORGANIZATION SHOULD BE CONTACTED FOR THE LATEST REVISION.	MATERIAL SEE TABLE	FINISH SEE TABLE	APPLICATION SPEC	WEIGHT -	CAGE CODE 00779
			CUSTOMER DRAWING		RESTRICTED TO	DRAWING NO G-52273	SCALE 5:1
					SHEET 1 OF 1		REV M1