

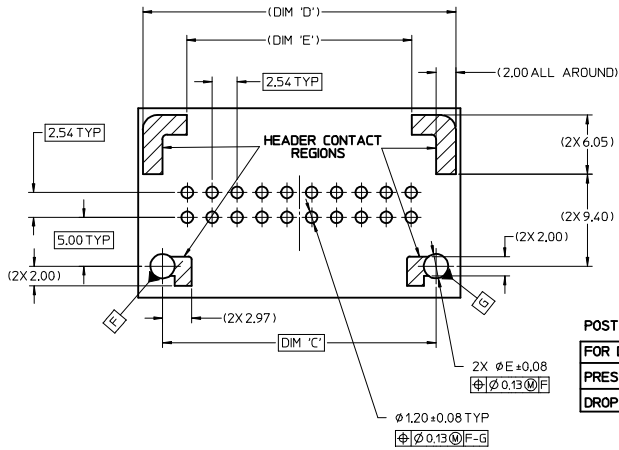
MATERIAL NUMBER		CKT SIZE	DESCRIPTION	POL	COLOR
TRAY PACKAGING PK-31300-892	TUBE PACKAGING PK-31301-063				
34690-0200	34690-9200	20	STAC64 VERTICAL HEADER ASSEMBLY	A	BLACK
34690-0201	34690-9201	20	STAC64 VERTICAL HEADER ASSEMBLY	B	GREY
34690-0202	34690-9202	20	STAC64 VERTICAL HEADER ASSEMBLY	C	BROWN
34690-0203	34690-9203	20	STAC64 VERTICAL HEADER ASSEMBLY	D	GREEN
34690-0160	34690-9160	16	STAC64 VERTICAL HEADER ASSEMBLY	A	BLACK
34690-0161	34690-9161	16	STAC64 VERTICAL HEADER ASSEMBLY	B	GREY
34690-0162	34690-9162	16	STAC64 VERTICAL HEADER ASSEMBLY	C	BROWN
34690-0120	34690-9120	12	STAC64 VERTICAL HEADER ASSEMBLY	A	BLACK
34690-0121	34690-9121	12	STAC64 VERTICAL HEADER ASSEMBLY	B	GREY
34690-0122	34690-9122	12	STAC64 VERTICAL HEADER ASSEMBLY	C	BROWN
34690-0080	34690-9080	8	STAC64 VERTICAL HEADER ASSEMBLY	A	BLACK
34690-0081	34690-9081	8	STAC64 VERTICAL HEADER ASSEMBLY	B	GREY
34690-0082	34690-9082	8	STAC64 VERTICAL HEADER ASSEMBLY	C	BROWN

NOTES: VALID UNLESS OTHERWISE SPECIFIED
 1. GENERAL:
 a. CONNECTOR HEADER MUST BE VALIDATED TO THE FOLLOWING FUNCTIONAL REQUIREMENTS:
 POLARIZATION FEATURE EFFECTIVENESS - SEE PRODUCT SPECIFICATION
 PIN RETENTION - USCAR-2 REV 4
 SOLDERABILITY - SMES-152
 b. APPLICATION REQUIREMENTS (REFERENCE ONLY) FOR:
 SEE APPLICATION SPECIFICATION - AS-34729-020/AS-31408-100
 SEE PRODUCT SPECIFICATION - PS-34729-020/PS-31408-100
 c. PACKAGING SPECIFICATION: SEE CHART
 2. DESIGN MATERIALS:
 a. SHROUD (PLASTIC HOUSING):
 RESIN - SPS 30%GF - 20% REGRIND MAX. BY WEIGHT
 b. 0.64MM PINS:
 BASE MATERIAL: C26000
 PLATING TYPE: AS NOTED
 3. PLATING REQUIREMENTS:
 a. UNDERPLATING - OVERALL NICKEL
 b. OVERPLATING - OVERALL TIN
 4. INTERFACE- USCAR
 064-U-008-2-201
 064-U-012-2-202
 064-U-016-2-203
 064-U-020-2-202
 SOME CHAMFERS HAVE BEEN MODIFIED TO IMPROVE POLARIZATION EFFECTIVENESS. SEE AS-34729-002/AS-31408-100.

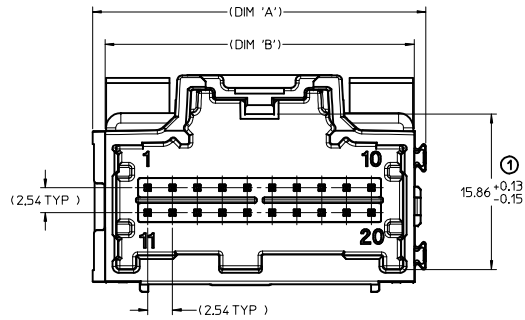
UPDATED DIMENSIONS DEC NO: UAU2015-1697 DRAWN: FISCHERO 2015/05/14 CHKD: APPR: REAUMAN 2015/05/22 REV:	QUALITY SYMBOLS 	GENERAL TOLERANCES (UNLESS SPECIFIED) <table border="1"> <tr> <th></th> <th>mm</th> <th>INCH</th> </tr> <tr> <td>4 PLACES</td> <td>±.005</td> <td>±.0005</td> </tr> <tr> <td>3 PLACES</td> <td>±.008</td> <td>±.0008</td> </tr> <tr> <td>2 PLACES</td> <td>±.013</td> <td>±.0013</td> </tr> <tr> <td>1 PLACE</td> <td>±.025</td> <td>±.0025</td> </tr> </table>		mm	INCH	4 PLACES	±.005	±.0005	3 PLACES	±.008	±.0008	2 PLACES	±.013	±.0013	1 PLACE	±.025	±.0025	DIMENSION STYLE MM ONLY SCALE 2:1 DESIGN UNITS METRIC THIRD ANGLE PROJECTION	DRAWN BY MBAILEY DATE 10/02/06 CHECKED BY EDILLON DATE 04/18/07 APPROVED BY SMARCEAU DATE 2010/11/04	TITLE STAC64 SINGLE BAY VERTICAL ASSEMBLY SALES DRAWING MOLEX INCORPORATED MATERIAL NO. SD-34690-100 DOCUMENT NO.	SHEET NO. 1 OF 2
		mm	INCH																		
4 PLACES	±.005	±.0005																			
3 PLACES	±.008	±.0008																			
2 PLACES	±.013	±.0013																			
1 PLACE	±.025	±.0025																			
DRAFT WHERE APPLICABLE MUST REMAIN WITHIN DIMENSIONS		SEE CHART		THIS DRAWING CONTAINS INFORMATION THAT IS PROPRIETARY TO MOLEX INCORPORATED AND SHOULD NOT BE USED WITHOUT WRITTEN PERMISSION																	

CKT SIZE	DIM 'A'	DIM 'B'	DIM 'C'	DIM 'D'	DIM 'E'
20	34.04	31.57	27.94	31.97	23.00
16	28.96	26.49	22.86	26.89	17.92
12	23.88	21.41	17.78	21.81	12.84
8	18.80	16.53	12.70	16.73	7.76

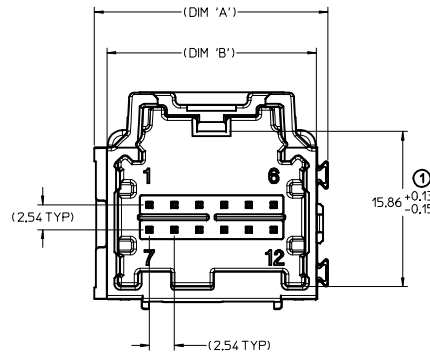
RECOMMENDED PCB LAYOUT



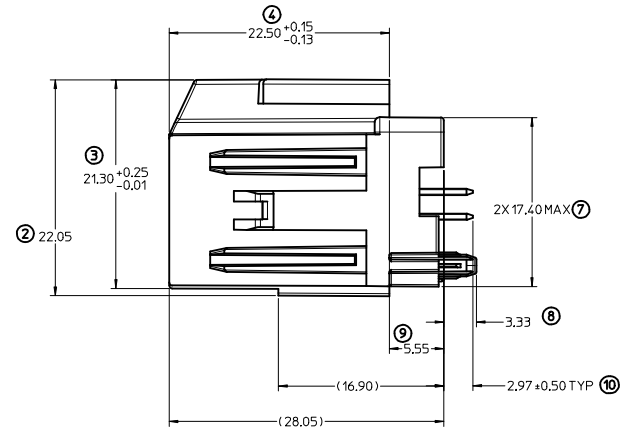
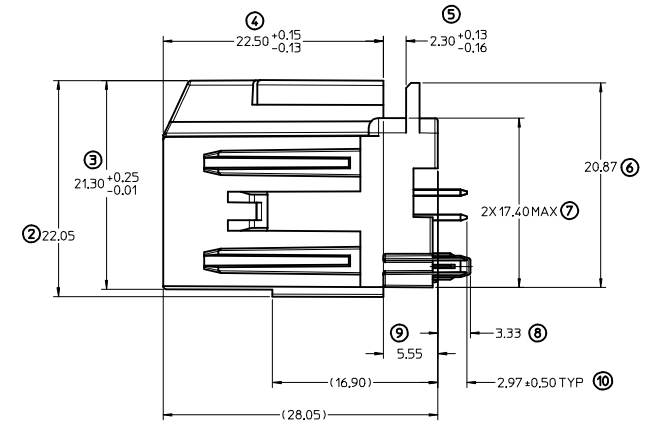
POST HOLE TABLE	
FOR DIM E:	
PRESS FIT	$\phi 2.60$
DROP IN	$\phi 3.05$



LAYOUT FOR 16 & 20 CKT. HEADERS
(20 CKT. OPTION 'A' SHOWN)



LAYOUT FOR 8 & 12 CKT. HEADERS
(12 CKT. OPTION 'A' SHOWN)



QUALITY SYMBOLS	GENERAL TOLERANCES (UNLESS SPECIFIED)		DIMENSION STYLE		SCALE	DESIGN UNITS	THIRD ANGLE PROJECTION
	mm	INCH	MM ONLY	DATE	4:1	METRIC	
$\nabla=0$	4 PLACES \pm ---	\pm ---	DRAWN BY	10/02/06	STAC64 SINGLE BAY VERTICAL ASSEMBLY SALES DRAWING		
$\nabla=0$	3 PLACES \pm ---	\pm ---	CHECKED BY	DATE			
	2 PLACES ± 0.13	\pm ---	CDILLON	04/18/07	MOLEX INCORPORATED		
	1 PLACE ± 0.25	\pm ---	APPROVED BY	DATE			
	ANGULAR $\pm 3^\circ$		SMARCEAU	2010/11/04	SD-34690-100		
DRAFT WHERE APPLICABLE MUST REMAIN WITHIN DIMENSIONS			MATERIAL NO. SEE CHART		DOCUMENT NO.		SHEET NO.
			SIZE D		THIS DRAWING CONTAINS INFORMATION THAT IS PROPRIETARY TO MOLEX INCORPORATED AND SHOULD NOT BE USED WITHOUT WRITTEN PERMISSION		2 OF 2