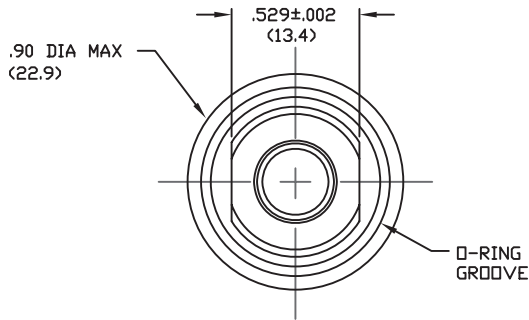
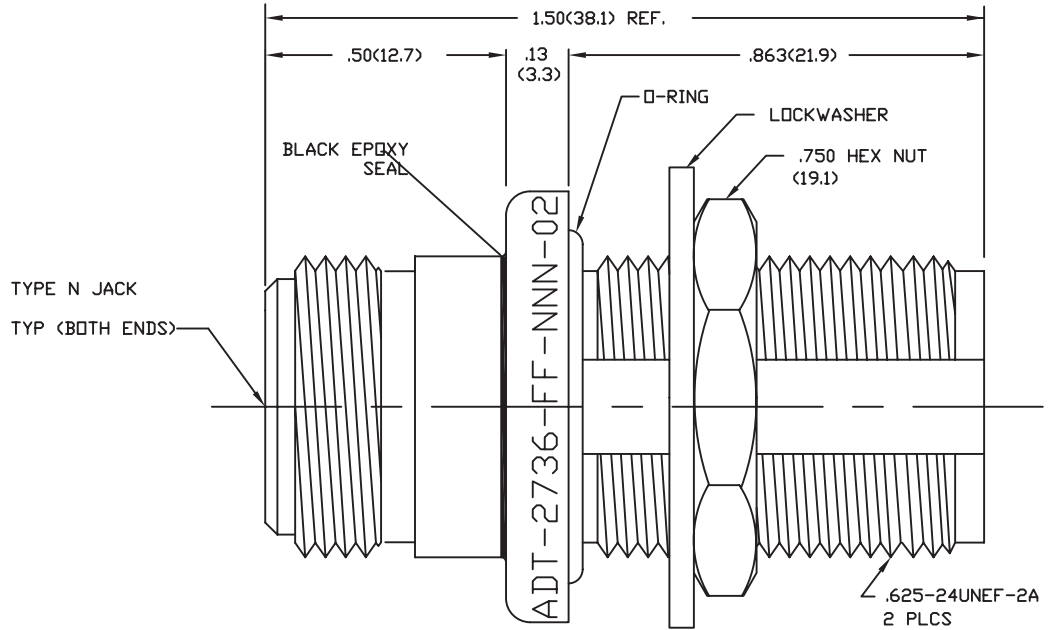


**NOTES:**

- 1.0 MATERIALS:
  - 1.1 HOUSINGS & WASHER: STAINLESS STEEL PER ASTM-A582, TYPE 303.
  - 1.2 CENTER CONTACT: BERYLLIUM COPPER ROD ALLOY C172, PER ASTM-B196.
- 2.0 PLATING:
  - 2.1 HOUSING & WASHER: PASSIVATED PER MIL-F-14072 AND QQ-P-35
  - 2.2 CENTER CONTACT: GOLD PER MIL-G-45204, TYPE II, CLASS 2
- 3.0 MECHANICAL
  - 3.1 INTERFACE: MIL-STD-348 IN ACCORDANCE WITH MIL-C-39012.
  - 3.2 CENTER CONTACT CAPTURED IN ACCORDANCE WITH MIL-C-39012
- 4.0 DIMENSIONS IN PARENTHESIS ARE IN PER MIL-C-39012 MILLIMETERS.
- 5.0 ELECTRICAL SPECIFICATIONS
  - 5.1 FREQ. RANGE: DC to 18.0 GHz
  - 5.2 VSWR: 1.15:1 MAX.
  - 5.3 INSERTION LOSS: 0.25dB MAX.
  - 5.4 IMPEDANCE: 50 OHMS
- 6.0 MARKING: MARK UNIT AS SHOWN (REF.: INK-06819-27-06)



END VIEW  
(NOT TO SCALE)




DWG NO. WAS: 06719-01-00

REV.	DESCRIPTION	DATE
-	RELEASED	7/18/86
A	ECR 4638	7/18/86
B	ECR 6545	8/1/89
C	NO CAD/UPDATE MARKING	10/12/93
D	ECN 18203	11/14/01

**NOTICE:** The information contained in this drawing is proprietary and must not be used without the permission of Cinch Connectivity Solutions.

**UNLESS OTHERWISE NOTED DIMENSIONS ARE IN INCHES AND TOLERANCES ARE:**

3 PLACE DECIMALS ±.005  
 2 PLACE DECIMALS ±.02  
 FRACTIONS ±1/64  
 PARALLELITY: T.I.R.  
 FLATNESS: T.I.R.  
 CONCENTRICITY: T.I.R.  
 ANGLES AND PERPENDICULARITY: ±1°

CAGE CODE <b>34078</b>		<b>MIDWEST MICROWAVE</b>	
		TITLE ADAPTER-TYPE N BULKHEAD FEEDTHRU PRECISION JACK OUTLINE DRAWING	
		DRAWING NUMBER ADT-2736-FF-NNN-02-01	REV. D
DRAWN/DATE A.BEATTY 10/12/93	ENG./DATE A.OSGA 10/18/93	SCALE: 5=1	
CHECKED/DATE M.HÖLLMANN 10/18/93	APPROVED/DATE G.HOUGHTON 11/14/01	SHEET 1 of 1	

MODEL NUMBER  
ADT-2736-FF-NNN-02