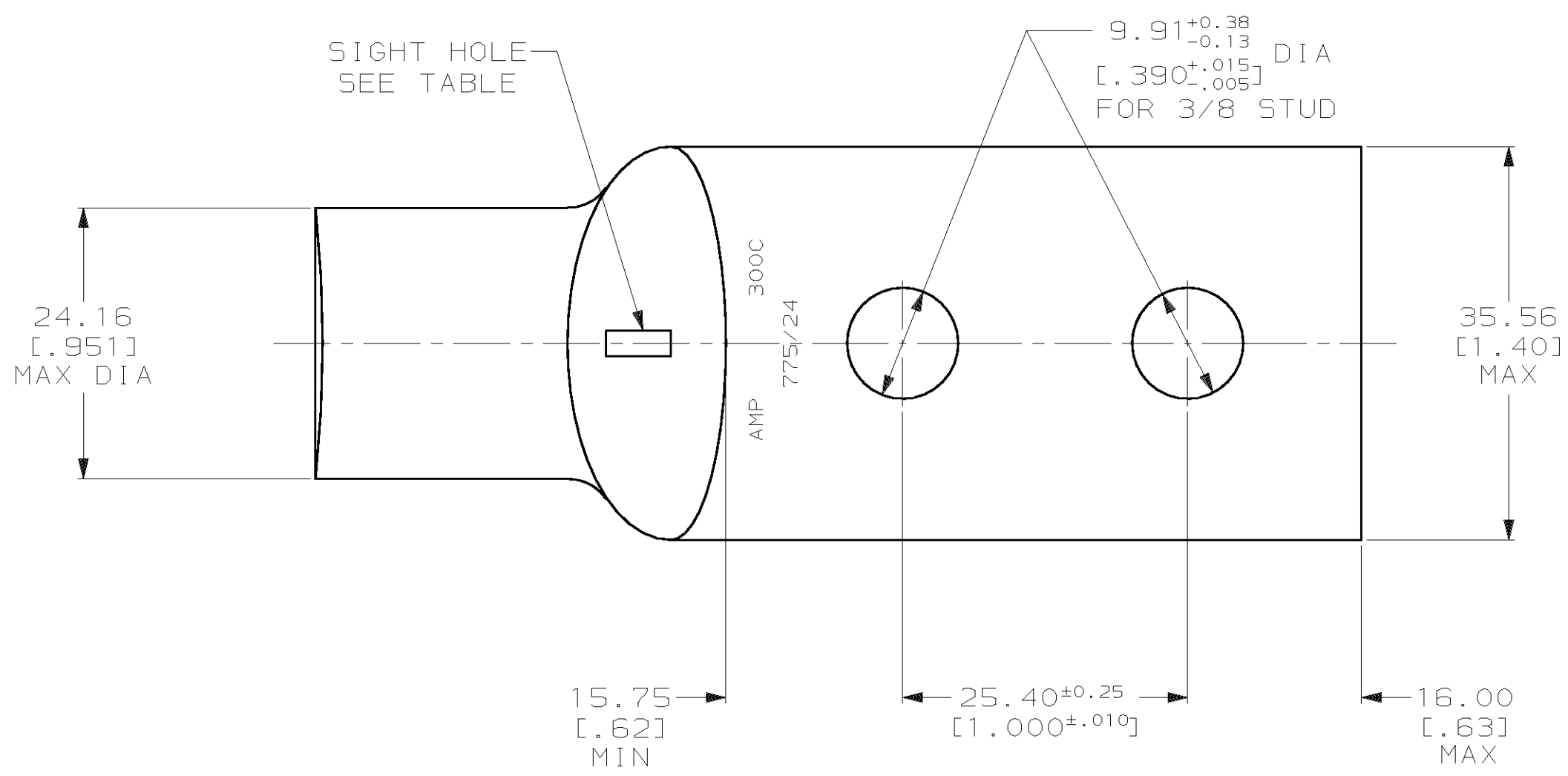
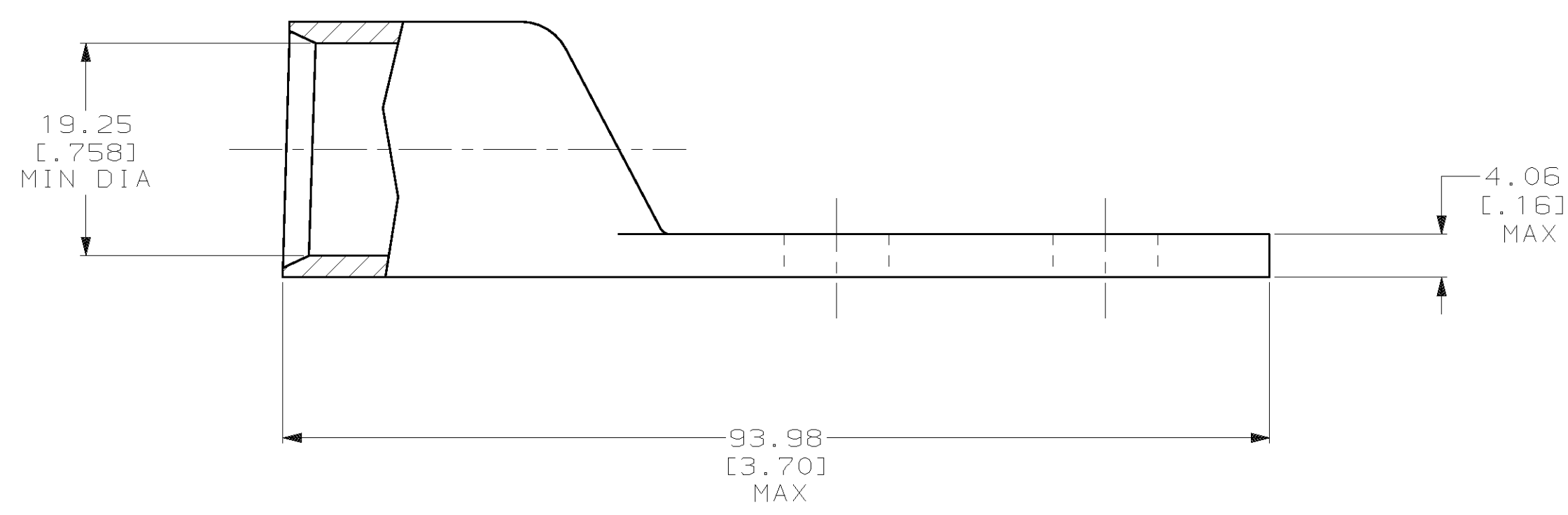


THIS DRAWING IS UNPUBLISHED. RELEASED FOR PUBLICATION, 19 .  
 © COPYRIGHT 19 BY AMP INCORPORATED. ALL INTERNATIONAL RIGHTS RESERVED.

| LOC  |     | DIST        |  | P |  | F |  | REVISIONS |                      | DATE    | APPD |
|------|-----|-------------|--|---|--|---|--|-----------|----------------------|---------|------|
| ZONE | LTR | DESCRIPTION |  |   |  |   |  |           |                      |         |      |
| G    | 86  |             |  |   |  |   |  | U         | REV PER 0G3A-0561-01 | 09OCT02 | JR   |



1 CIRCULAR MIL AREA RANGE: 275-325 MCM  
 2 TIN PL 0.00381 [0.000150] MIN THK PER MIL-T-10727



**METRIC**

|   |  |                             |   |                    |
|---|--|-----------------------------|---|--------------------|
| DO NOT SCALE PRINT. UNLESS SPECIFIED DIMENSIONS IN mm [INCHES] TOLERANCES ON :<br>2 PLC DEC ± 0.51 [0.020]<br>3 PLC DEC ± -<br>ANGLES ± - |  | DR 02/28/90<br>DK SCHRUM    | NONE                                      | 326805-1           |
| MATERIAL<br>ANNEALED COPPER<br>ASTM B-188   |  | CHK 23JAN95<br>MS FEHER     | REQUIRED                                  | 326805             |
| FINISH<br>2   |  | APPD 23JAN95<br>WJ VOCKROTH | SIGHT HOLE                                | PART NO            |
| APPLICATION SPEC<br>-   |  | APPD 23JAN95<br>TL SHUTTER  | AMP INCORPORATED<br>Harrisburg, Pa. 17105 |                    |
| WEIGHT .215 LB  |  | PRODUCT SPEC<br>108-30200   |   |                    |
| SCALE 2:1   |  | APPLICATION SPEC<br>-       | SIZE<br>C                                 | CAGE CODE<br>00779 |
| DRAWING NO<br>326805  |  | SCALE 2:1                   | SHEET 1 OF 1                              |                    |