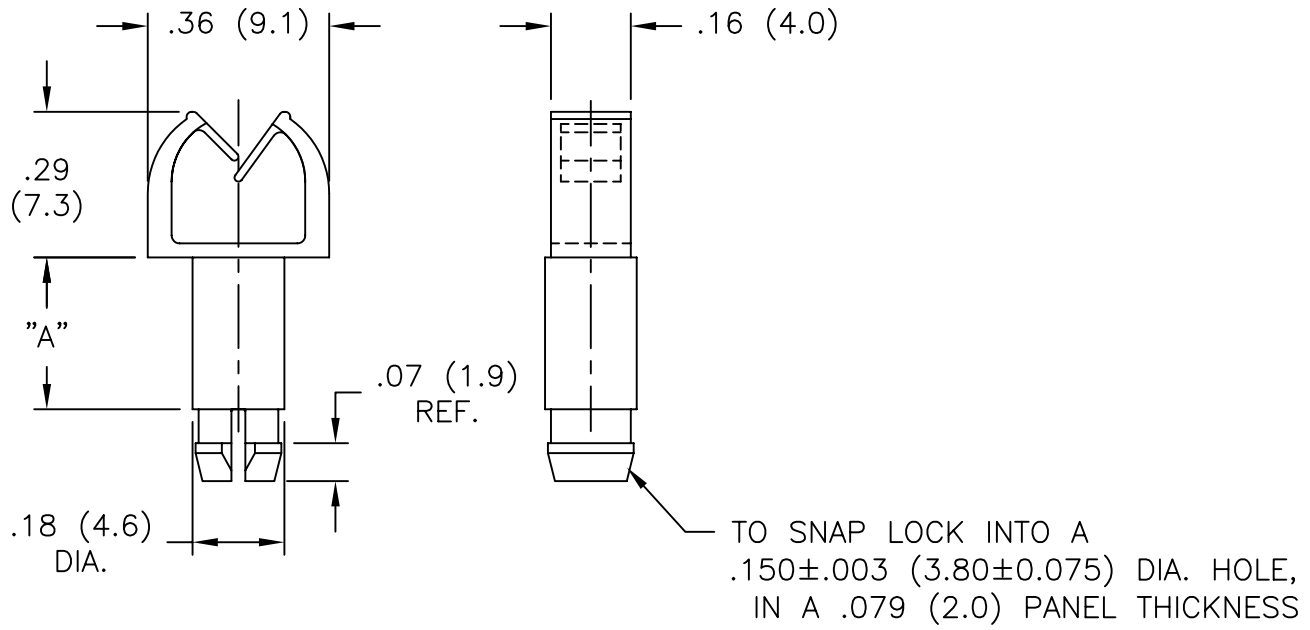


MAT'L: NYLON 6/6 (RMS-01) COLOR: NATURAL PART NO.	MAT'L: NYLON 6/6 FLAME RET. (RMS-19) COLOR: NATURAL PART NO.	DIM. "A"	PANEL THICKNESS
MWSELF-2-4.1-01	MWSELF-2-4.1-19	.16 (4.1)	.079 (2.0)
MWSELF-2-7.7-01	MWSELF-2-7.7-19	.30 (7.7)	



A	SEE ECN #824 FOR CHANGES	SM 07.14.04
REV	DESCRIPTION	ENGR DATE

TITLE: MICRO WIRE SADDLE-LOCKING FIX				DWG IN IN (MM) FINAL			
TOLERANCES UNLESS NOTED .XX=±.010 .XXX=±.005 FRAC=±1/64 ANG=±1°		FILE # MWSELF-2	DWN: S.M.	APP:		PART #	
MAT'L: SEE NOTES		MAT'L: SEE NOTES	DT: 08/07/02	DT:		SEE TABLE	
RE: RICHCO, INC.		RICHCO INC. PO BOX 804238, CHICAGO, 60680 (773) 539-4060				PRINT TYPE CA	