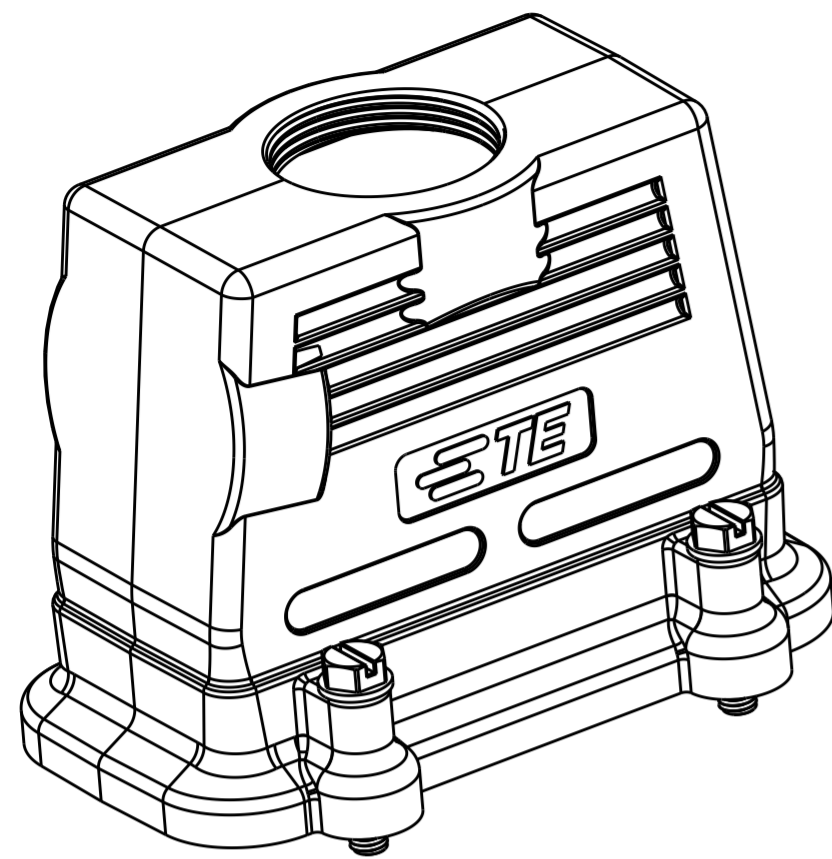
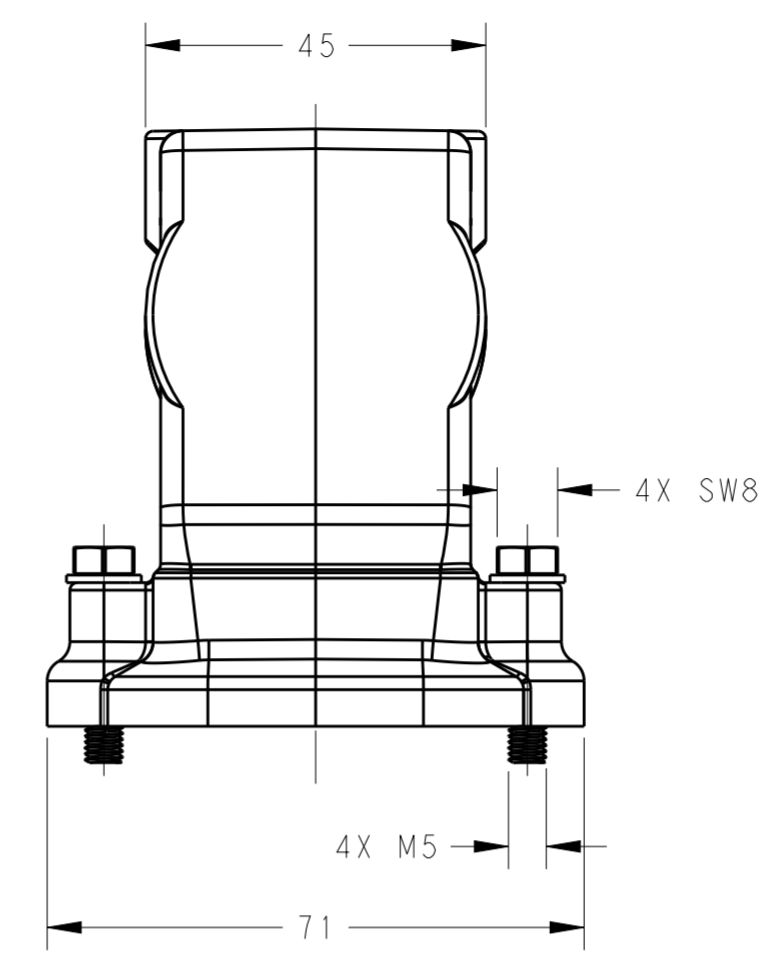
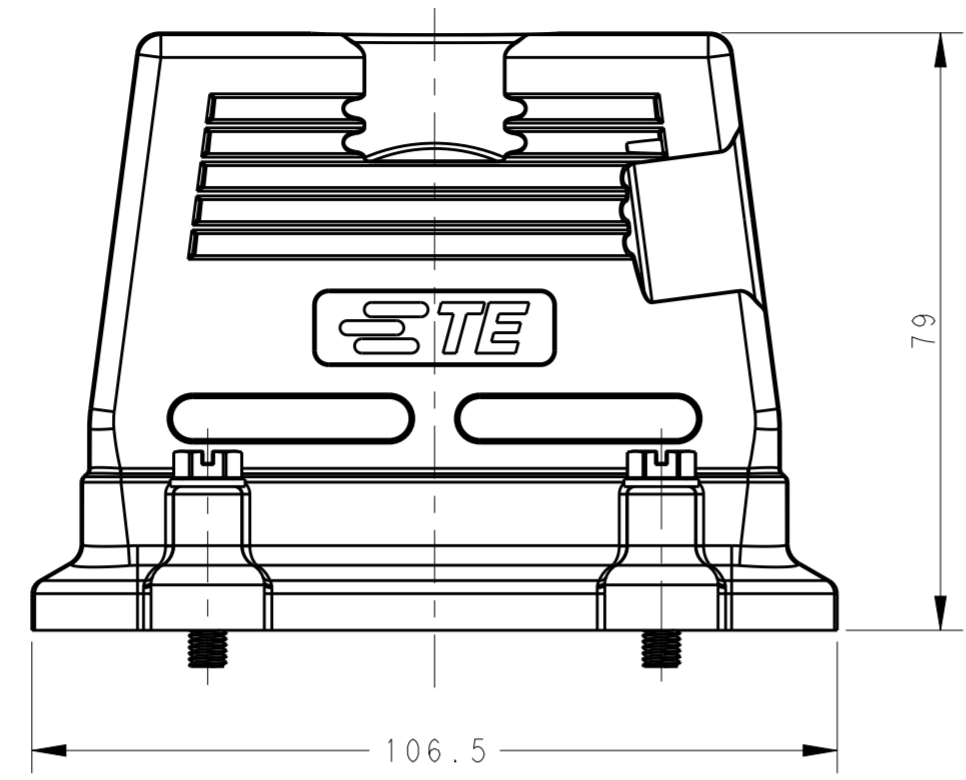


THIS DRAWING IS UNPUBLISHED. RELEASED FOR PUBLICATION 20
 © COPYRIGHT 20 BY - ALL RIGHTS RESERVED.

REVISIONS				
P	LTR	DESCRIPTION	DATE	APVD
A		INITIAL	19FEB2016	DW CW

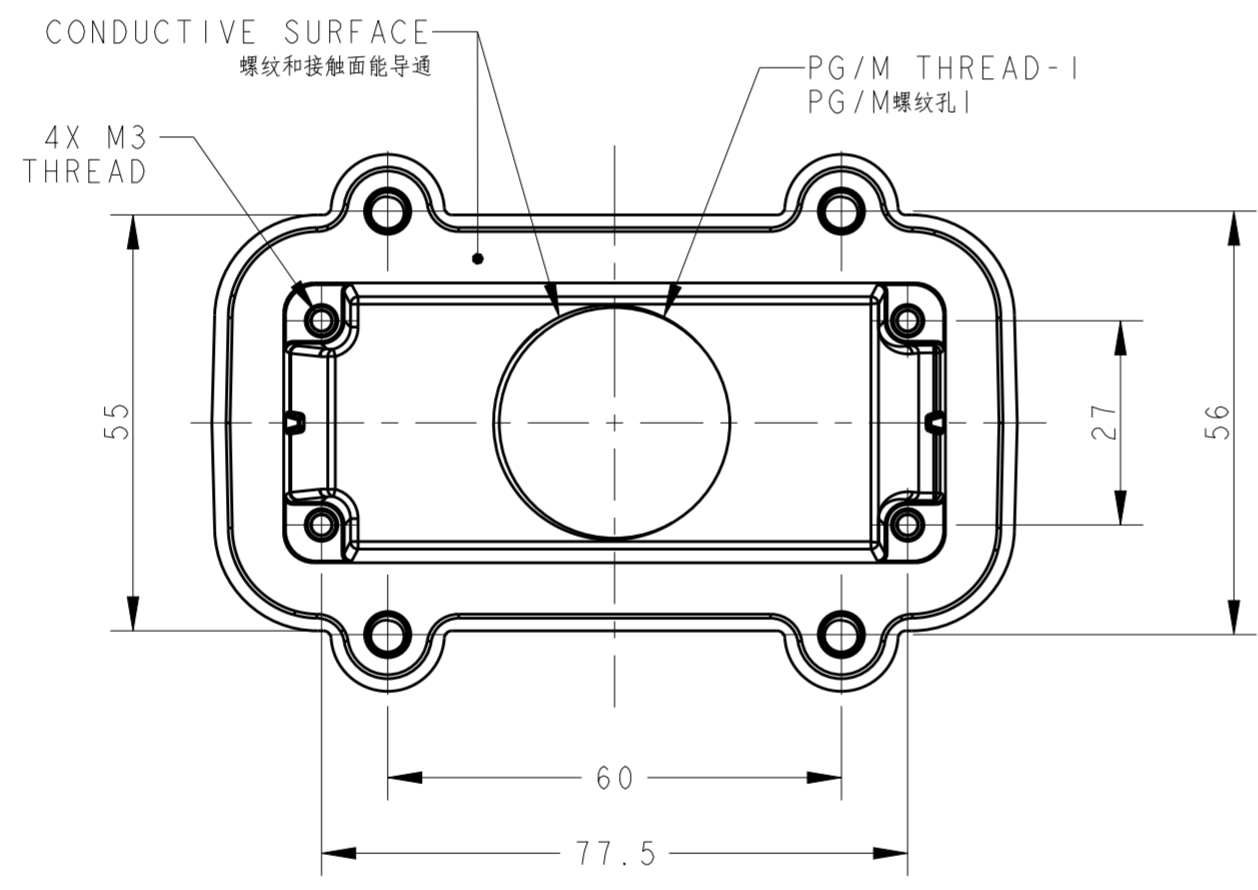


TYPE 1



NOTES:
 1. TECHNICAL CHARACTERISTICS:
 HOOD MATERIAL: DIE CAST ALUMINIUM ALLOY
 SURFACE: POWDER COATED, GREY
 DEGREE OF PROTECTION: IP67 (MATED)

注释:
 1. 技术参数:
 上壳材料: 铝合金
 表面处理: 粉末涂层, 灰色
 防护等级: IP67(配合)



TYPE 1: H16B HOOD, TOP ENTRY, HIGH CONSTRUCTION SCREW CONNECTION, CONTACT SURFACE CONDUCTIVE
 类型1: H16B上壳(顶出、高结构、螺丝连接、接触面导通)

T1120165121-001	H16B-TSH-EMCS-N-PG21 H16B上壳(侧出PG21、高结构、螺丝连接、接触面导通)	-	PG21	TYPE 2 类型2
T1120165129-001	H16B-TSH-EMCS-N-PG29 H16B上壳(侧出PG29、高结构、螺丝连接、接触面导通)	-	PG29	
T1120165125-001	H16B-TSH-EMCS-N-M25 H16B上壳(侧出M25、高结构、螺丝连接、接触面导通)	-	M25	
T1120165132-001	H16B-TSH-EMCS-N-M32 H16B上壳(侧出M32、高结构、螺丝连接、接触面导通)	-	M32	
T1120165140-001	H16B-TSH-EMCS-N-M40 H16B上壳(侧出M40、高结构、螺丝连接、接触面导通)	-	M40	TYPE 1 类型1
T1130165121-001	H16B-TGH-EMCS-N-PG21 H16B上壳(顶出PG21、高结构、螺丝连接、接触面导通)	PG21	-	
T1130165129-001	H16B-TGH-EMCS-N-PG29 H16B上壳(顶出PG29、高结构、螺丝连接、接触面导通)	PG29	-	
T1130165125-001	H16B-TGH-EMCS-N-M25 H16B上壳(顶出M25、高结构、螺丝连接、接触面导通)	M25	-	
T1130165132-001	H16B-TGH-EMCS-N-M32 H16B上壳(顶出M32、高结构、螺丝连接、接触面导通)	M32	-	
T1130165140-001	H16B-TGH-EMCS-N-M40 H16B上壳(顶出M40、高结构、螺丝连接、接触面导通)	M40	-	
PART NUMBER 料号	PART DESCRIPTION 描述	PG/M THREAD-1 PG/M 螺紋孔1	PG/M THREAD-2 PG/M 螺紋孔2	TYPE 类型

THIS DRAWING IS A CONTROLLED DOCUMENT.

DWN	DAVID WANG	19FEB2016
CHK	CHRIS WANG	19FEB2016
APVD	XIANG XU	19FEB2016

PRODUCT SPEC: 108-137015
 APPLICATION SPEC: 114-137015

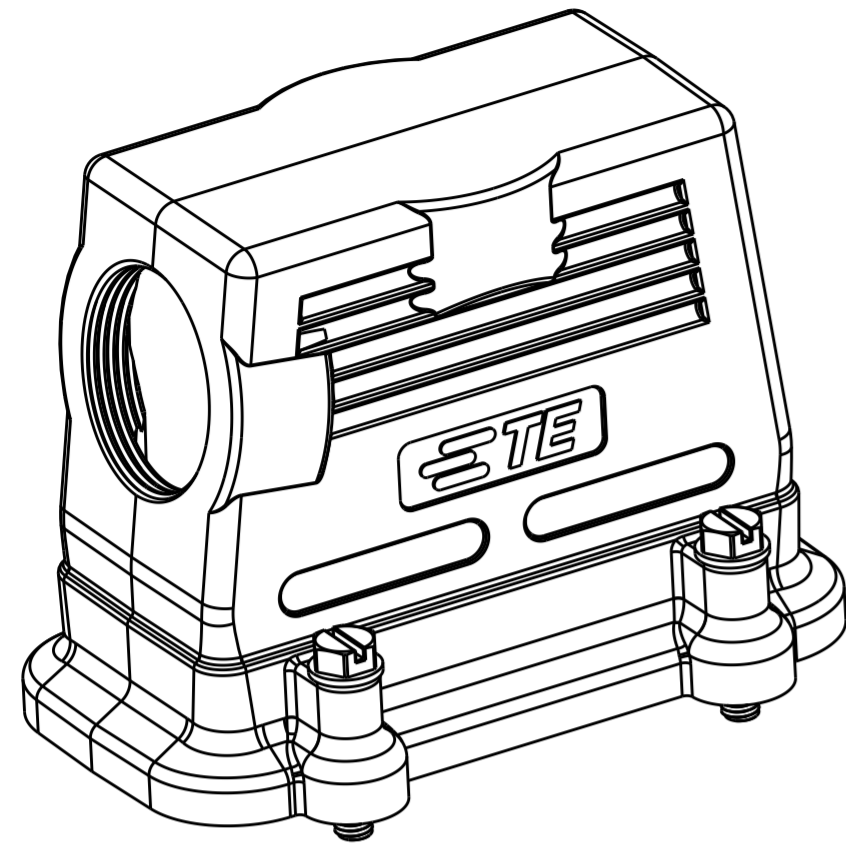
NAME: H16B-TSH/TGH-EMCS-N-PG/M

SIZE: A2 CAGE CODE: 00779 DRAWING NO: T11X01651XX001 RESTRICTED TO: -

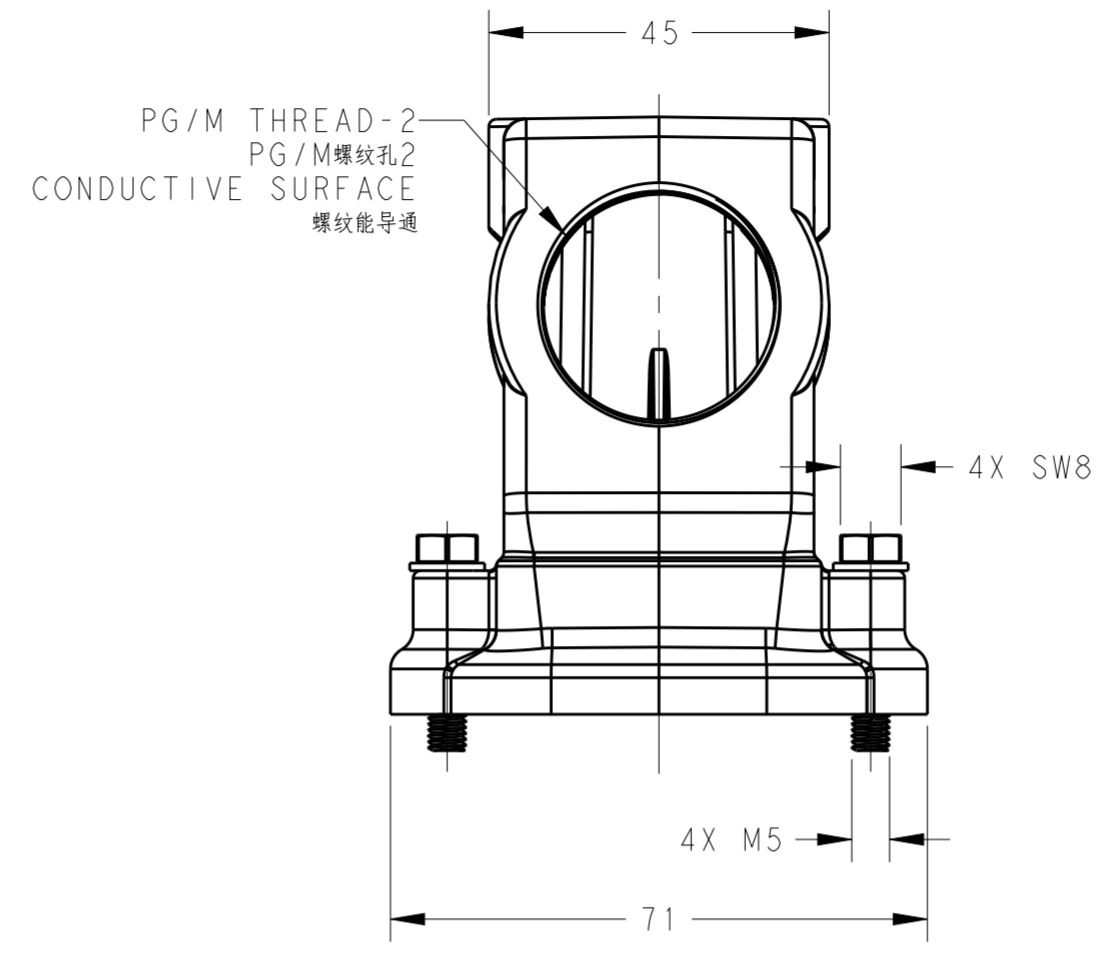
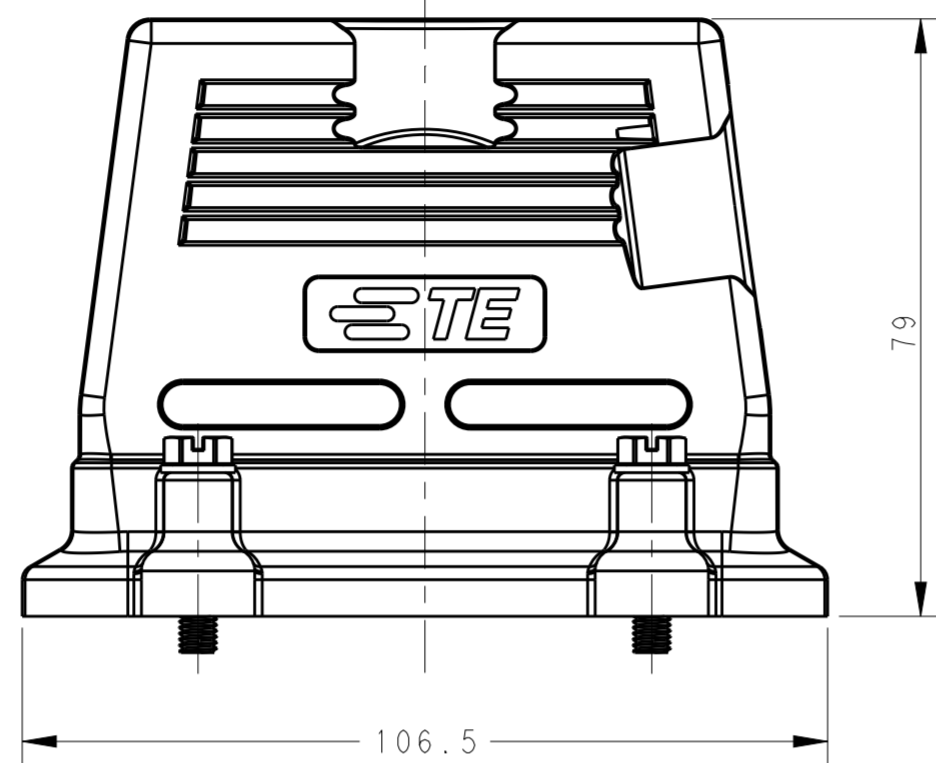
CUSTOMER DRAWING SCALE: 1:1 SHEET: 1 OF 2 REV: A

THIS DRAWING IS UNPUBLISHED. RELEASED FOR PUBLICATION 20
 © COPYRIGHT 20 BY - ALL RIGHTS RESERVED.

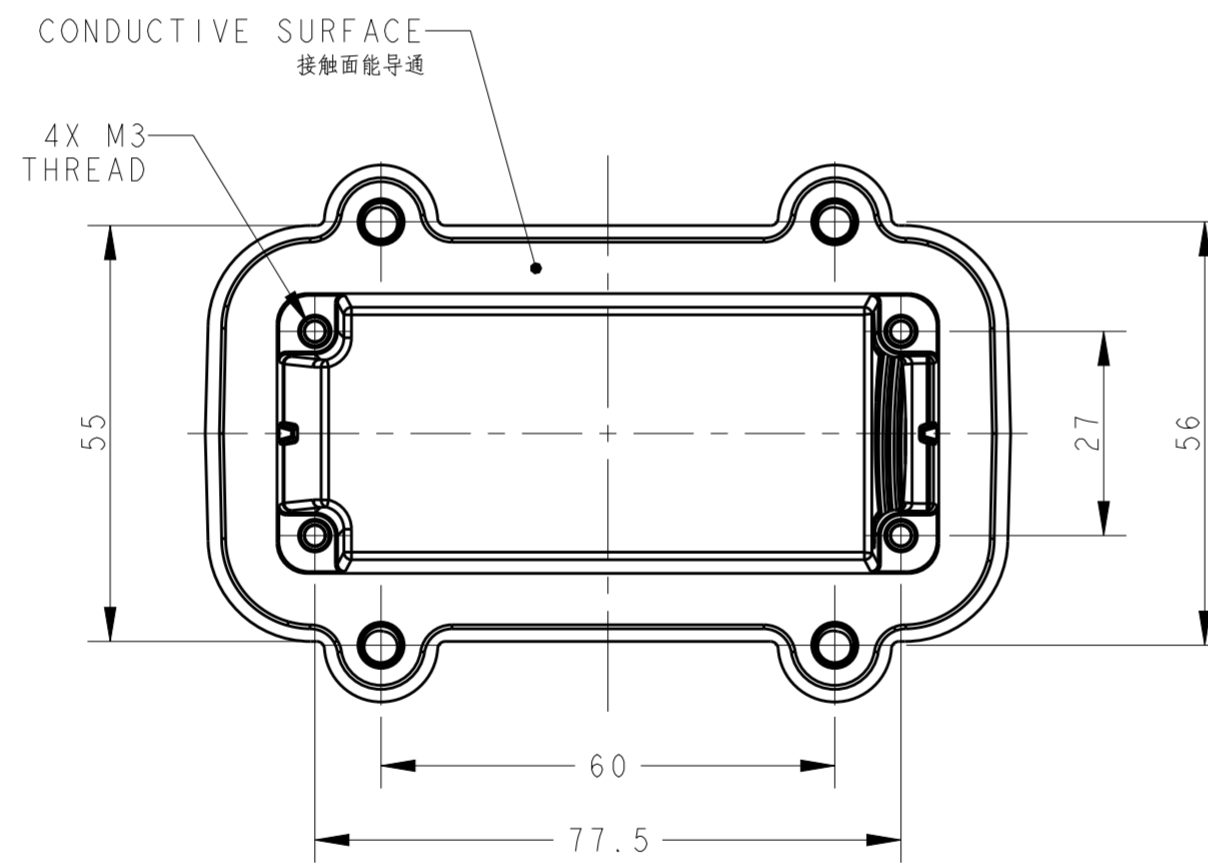
REVISIONS				
P	LTR	DESCRIPTION	DATE	APVD
-		SEE SHEET 1	-	-



TYPE 2



NOTES:
SEE SHEET 1



TYPE 2: HI16B HOOD, SIDE ENTRY, HIGH CONSTRUCTION
 SCREW CONNECTION, CONTACT SURFACE CONDUCTIVE
 类型2: HI16B上壳(侧出、高结构、螺丝连接、接触面导电)

THIS DRAWING IS A CONTROLLED DOCUMENT.		DWN 19FEB2016 DAVID WANG	TE Connectivity	
		CHK 19FEB2016 CHRIS WANG		
		APVD 19FEB2016 XIANG XU	NAME H16B-TSH/TGH-EMCS-N-PG/M	
DIMENSIONS:		PRODUCT SPEC	SIZE CAGE CODE DRAWING NO RESTRICTED TO	
mm	TOLERANCES UNLESS OTHERWISE SPECIFIED:	108-137015	A200779 C-T11X01651XX001	
	0 PLC ±-	APPLICATION SPEC	SCALE 1:1 SHEET 2 OF 2 REV A	
	1 PLC ±-	114-137015		
	2 PLC ±-	WEIGHT -		
	3 PLC ±-	CUSTOMER DRAWING		
	4 PLC ±-			
	ANGLES ±-			
	FINISH -			
	-			