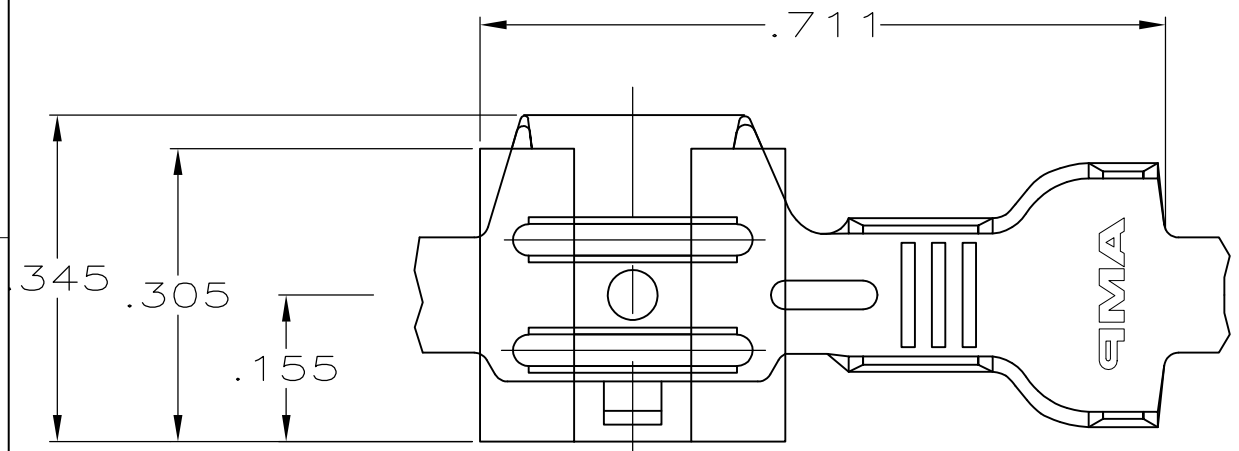
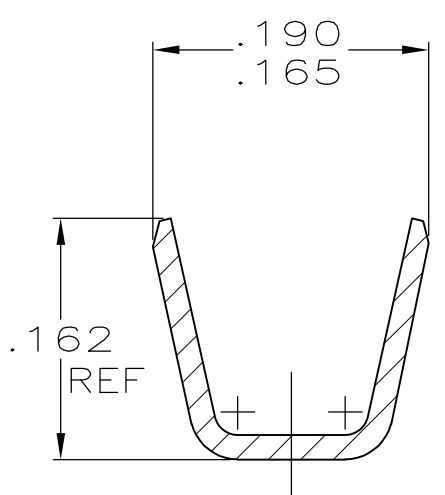
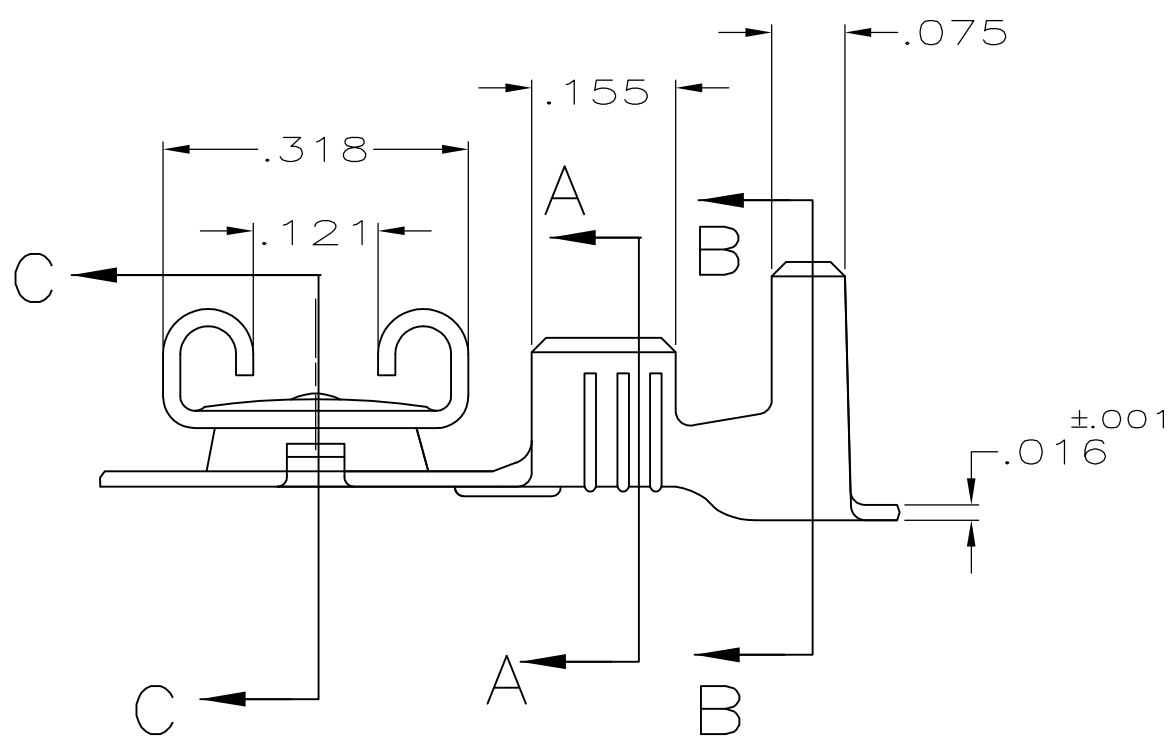


THIS DRAWING IS UNPUBLISHED. RELEASED FOR PUBLICATION
 © COPYRIGHT - By - ALL RIGHTS RESERVED.

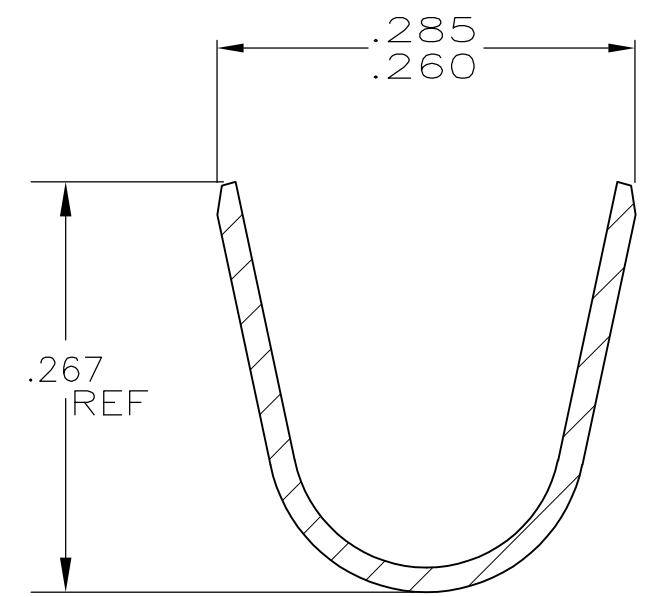
LOC	DIST	REVISIONS			
P	LTR	DESCRIPTION	DATE	DWN	APVD
AF	50	F	REVISED PER ECR-12-013518	26NOV2012	KH PD



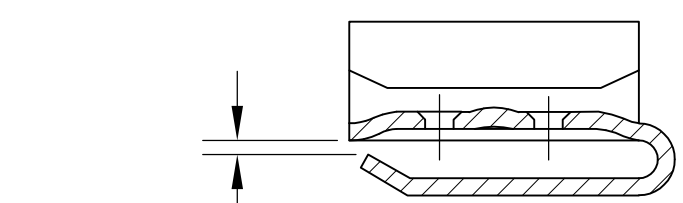
- CONTINUOUS STRIP ON REELS.
- WIRE SIZE IS FOR ONE #14 AWG OR (ONE #20 WITH ONE #14 AWG).
- INSULATION RANGE IS TWO AT .140 MAX DIA.
- MATING TAB THK IS .032±.001



SECTION A-A
SCALE 8:1



SECTION B-B
SCALE 8:1



SECTION C-C

1217896-1
PART NO.

THIS DRAWING IS A CONTROLLED DOCUMENT.		DWN	JR RUTH	06NOV02	STE TE Connectivity		
DIMENSIONS: INCHES		CHK	P DESANTIS	06NOV02			
TOLERANCES UNLESS OTHERWISE SPECIFIED:		APVD	P DESANTIS	06NOV02	NAME		
0 PLC	± -	PRODUCT SPEC		RECEPTACLE, FASTON, FLAG, REVERSIBLE, .250 SERIES			
1 PLC	± -	APPLICATION SPEC		SIZE	CAGE CODE	DRAWING NO	RESTRICTED TO
2 PLC	± -	MATERIAL		A300779			C-1217896
3 PLC	± .010	FINISH		CUSTOMER DRAWING			SCALE 5:1
4 PLC	± -	MATERIAL		BRASS			SHEET 1 OF 1
ANGLES	± -	MATERIAL		BRASS			REV F