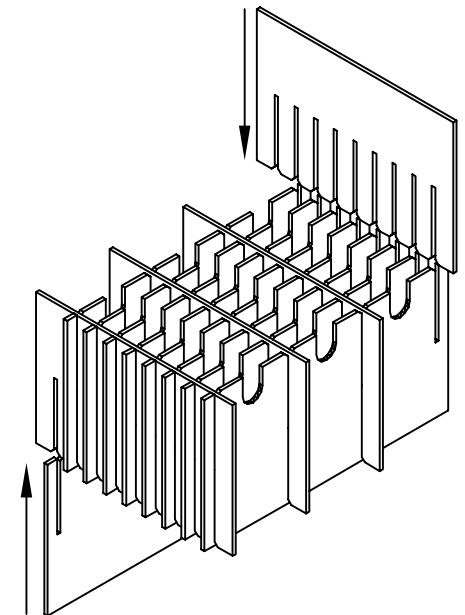
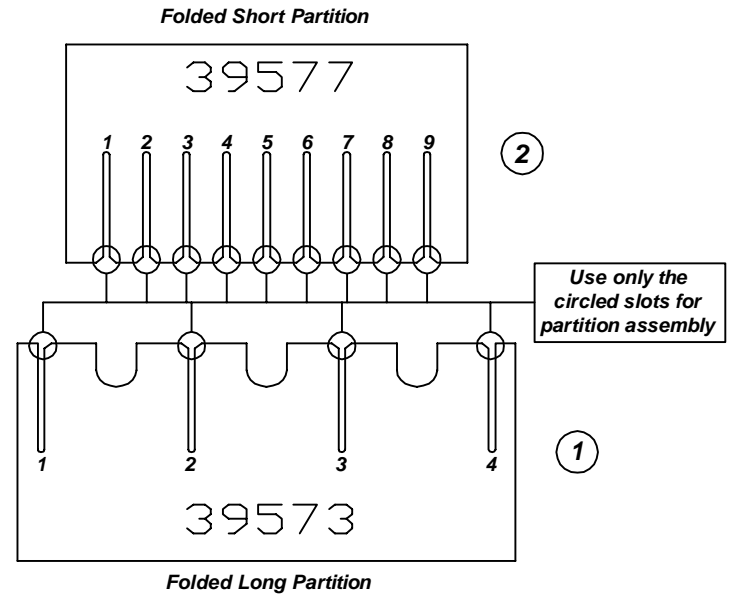
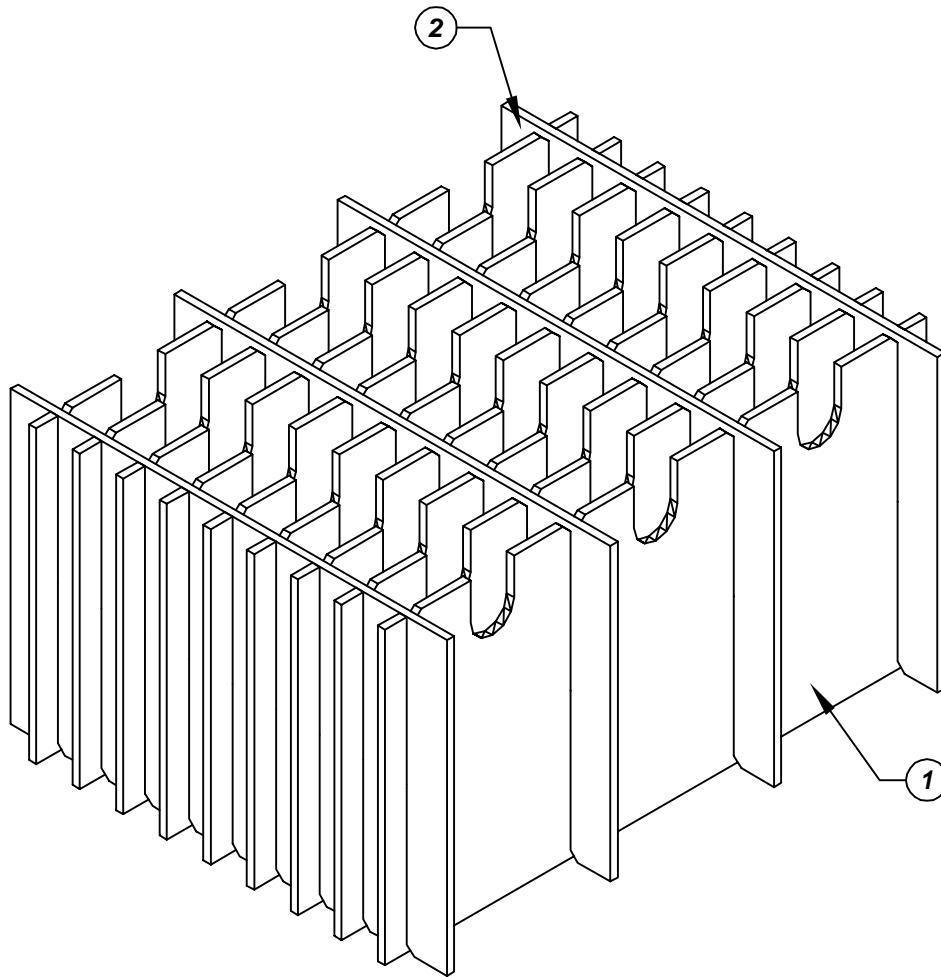


Assembly Instructions for - 37343



Made in America

F/N ①	Part # 39573	Dimensions: 20-1/4" x 18-5/8"	Description: 460-LP-10/30 Long Partition	Qty: 9
F/N ②	Part # 39577	Dimensions: 20-1/4" x 15"	Description: 460-SP-10 Short Partition	Qty: 4

37343 - 30 Cell Inplant Handler Cell Size - 10" x 5-3/8" x 1-1/4"

Notes:
For use with the following storage container & lid:
37524 - Storage Container
37554 - Lid

PROTEKTIVE PAK
13520 MONTE VISTA AVENUE, CHINO, CA 91710
PHONE (909) 627-2578, FAX (909) 363-7331
ProtectivePak.com



DRAWING NUMBER
IPH-37343

DATE
Dec.
2007