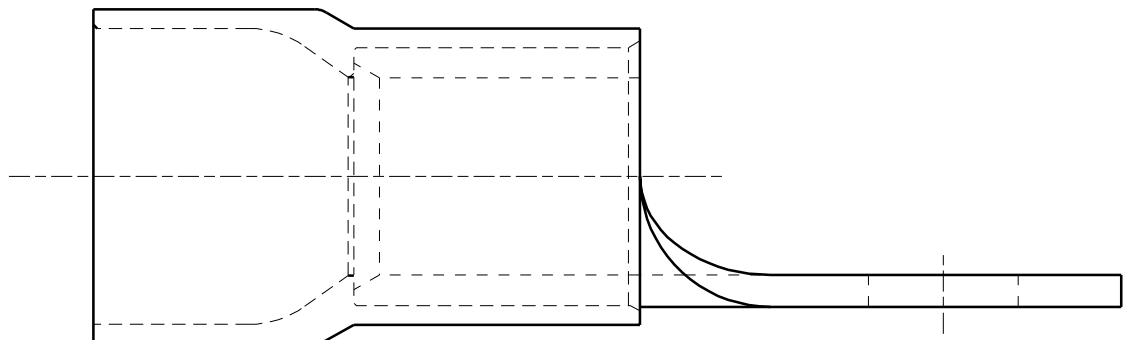
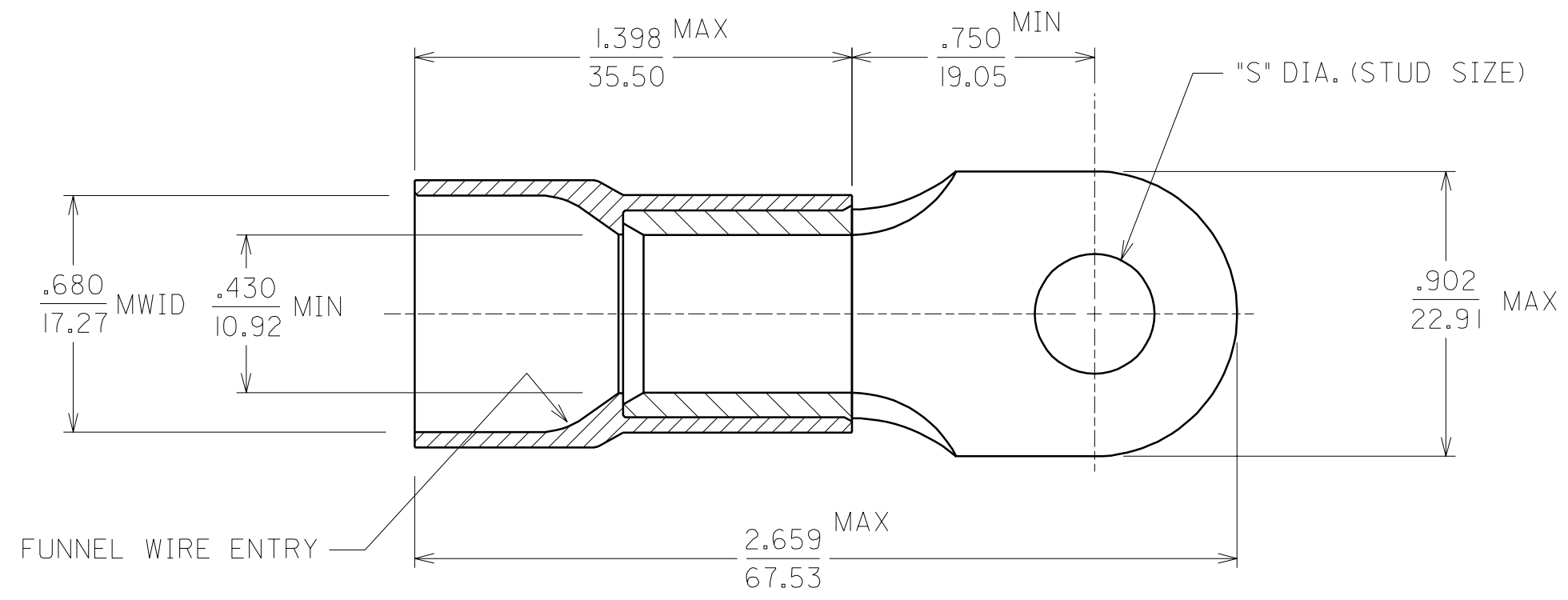


MATERIAL NUMBER	ALTERNATE NUMBER	STUD SIZES	"S"
190670315	H-980-12	12	.198
190670101	H-980-38	3/8	.390
190670102	H-980-76	7/16	.453



- NOTES:
- MATERIAL: COPPER .075 THICK
PLATING: ELECTROPLATE TIN
 - INSULATION: BLUE NYLON 6/6
 - MWID=MAXIMUM WIRE INSULATION DIA.
 - ALL DIMENSIONS IN INCHES/(MM).

A	NEW CUST DGN ETC2001-0251 01/02/27 EDB
LTR.	REVISIONS

CUSTOMER DRAWING

DIMENSIONS SHOWN (METRIC) INCH UNLESS OTHERWISE SPECIFIED TOLERANCES: ANGULAR ± 1/2°		REVISE ONLY ON CAD SYSTEM													
<table border="1"> <thead> <tr> <th></th> <th>INCH</th> <th>METRIC</th> </tr> </thead> <tbody> <tr> <td>3 PLACE</td> <td>± .005</td> <td>± ---</td> </tr> <tr> <td>2 PLACE</td> <td>± .01</td> <td>± 0.13</td> </tr> <tr> <td>1 PLACE</td> <td>± ---</td> <td>± 0.25</td> </tr> </tbody> </table>			INCH	METRIC	3 PLACE	± .005	± ---	2 PLACE	± .01	± 0.13	1 PLACE	± ---	± 0.25	TITLE NYLAKRIMP FUNNEL ENTRY RING TONGUE TERMINAL 1/0 AWG	
	INCH	METRIC													
3 PLACE	± .005	± ---													
2 PLACE	± .01	± 0.13													
1 PLACE	± ---	± 0.25													
DRAFT WHERE APPLICABLE MUST REMAIN WITHIN DIMENSIONS		mox ETC INC. PINELLAS PARK, FLA. 33781 U.S.A.	SHEET NO. 1 OF 1												
DRWG. BY EDB	CHK'D. BY HEB	PART NO. SEE CHART	DATE 01/02/02												
APP'D. BY RWD	SCALE NO:NE	FILE NAME SD19067006 DGN	DRWG. NO. SD-19067-006												
		THIS DRAWING CONTAINS INFORMATION THAT IS PROPRIETARY TO MOLEX-ETC INC. AND SHOULD NOT BE USED WITHOUT WRITTEN PERMISSION.													
		DIV. ET	SIZE B												