

4

3

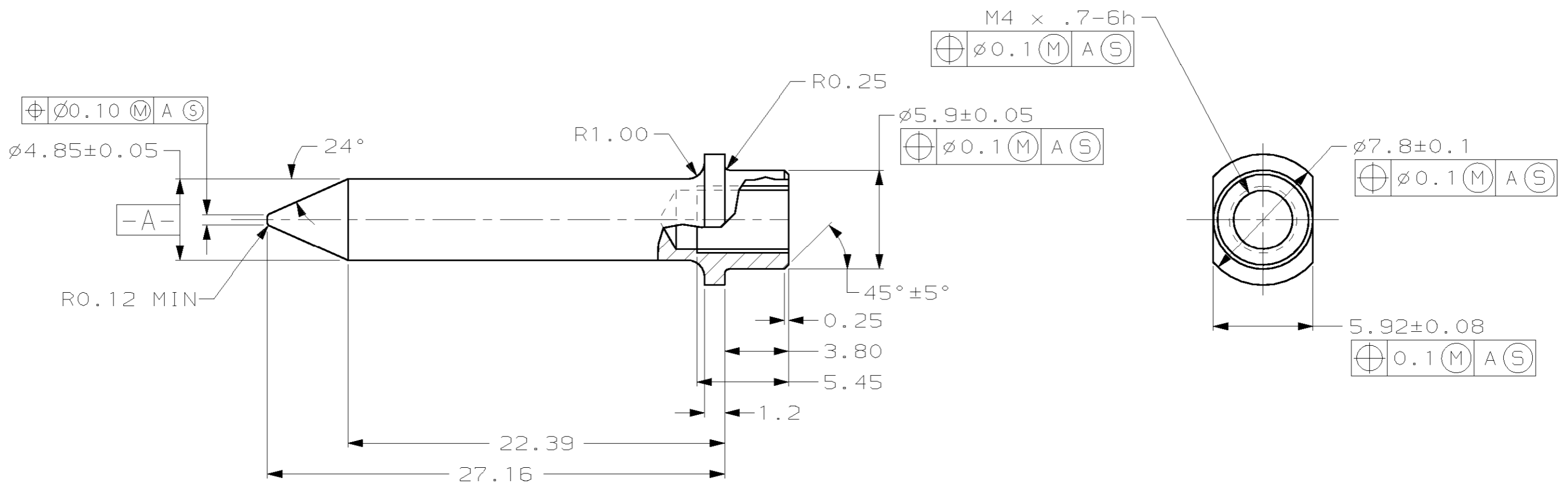
2

1

THIS DRAWING IS UNPUBLISHED. RELEASED FOR PUBLICATION ,19 .
 © COPYRIGHT 19 BY AMP INCORPORATED. ALL RIGHTS RESERVED.

LOC	DIST	REVISIONS			
P	LTR	DESCRIPTION	DATE	DWN	APVD
AD	47	A	REVISED PER OU1B-0131-99	08OCT99	DKS RAP
		B	REVISED PER OU1B-0086-00	05APR00	DKS RAP

- ① MATERIAL: STAINLESS STEEL.
- ② FINISH: PASSIVATE.



120646-1
PART NUMBER

<small>THIS DRAWING IS A CONTROLLED DOCUMENT FOR AMP INCORPORATED. IT IS SUBJECT TO CHANGE AND THE CONTROLLING ENGINEERING ORGANIZATION SHOULD BE CONTACTED FOR THE LATEST REVISION.</small>		DWN L. BRINER 9/13/99 CHK R. PATTERSON 9/13/99 APVD R. PATTERSON 9/13/99	AMP AMP Incorporated Harrisburg, PA 17105-3608
DIMENSIONS: mm 	TOLERANCES UNLESS OTHERWISE SPECIFIED: 0 PLC ±- 1 PLC ±- 2 PLC ±0.13 3 PLC ±- 4 PLC ±- ANGLES ±0°30' FINISH	PRODUCT SPEC - APPLICATION SPEC - WEIGHT -	NAME GUIDE PIN, UNIVERSAL POWER MODULE
MATERIAL ①	FINISH ②	CUSTOMER DRAWING	SIZE A3 CAGE CODE 00779 DRAWING NO. C=120646 SCALE 4:1 SHEET 1 OF 1 REV B