

Customer Information Sheet

DRAWING No.: Z9951-00

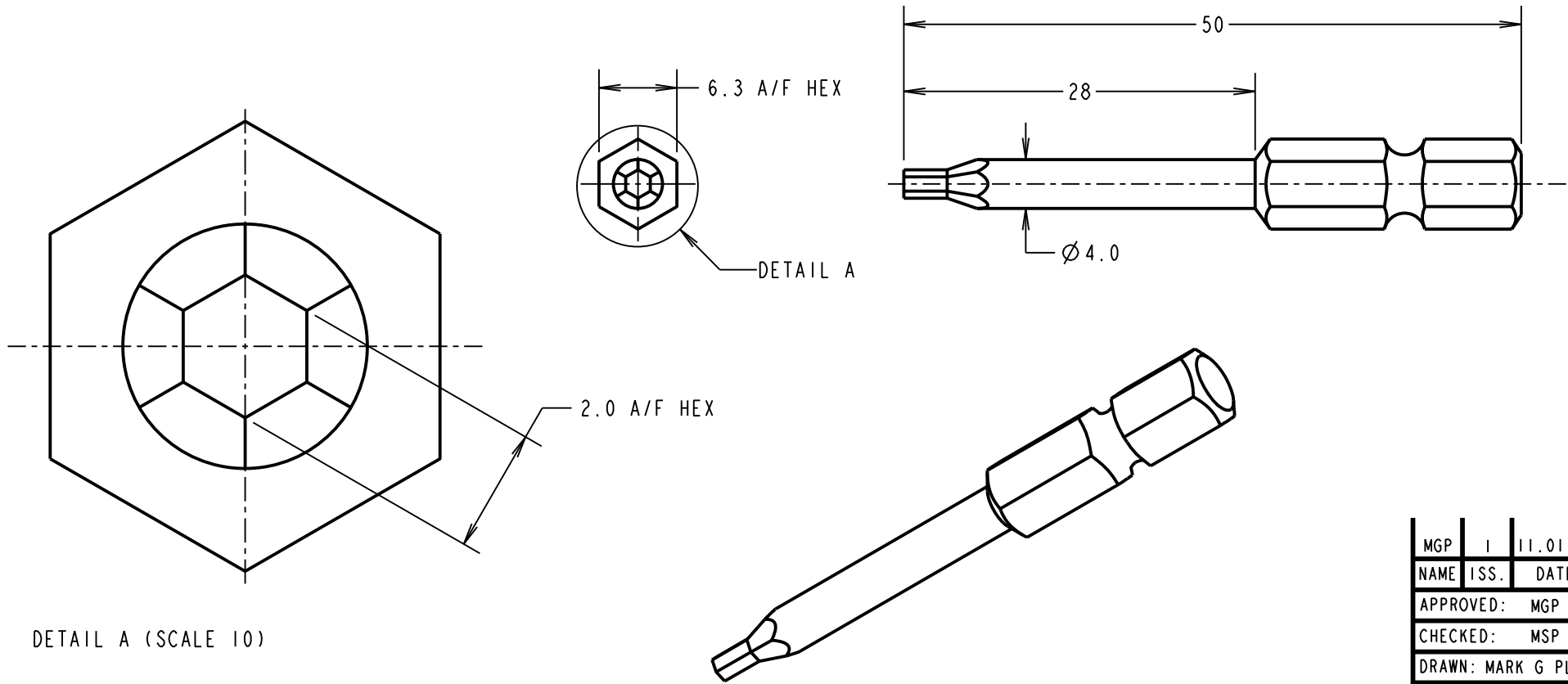
IF IN DOUBT - ASK

©

NOT TO SCALE

THIRD ANGLE PROJECTION

ALL DIMENSIONS IN mm



DETAIL A (SCALE 10)

NOTES:

- FOR USE WITH DATAMATE J-TEK, AND MIX-TEK WITH HEXAGON JACK, REVERSE FIX AND 101-LOK SCREWS. ALSO USED FOR M300 HEXAGON JACK SCREWS.

MGP	1	11.01.17	----
NAME	ISS.	DATE	C/NOTE
APPROVED:		MGP	
CHECKED:		MSP	
DRAWN:		MARK G PLESTED	
CUSTOMER REF.:			
ASSEMBLY DRG:			

HARWIN

www.harwin.com
technical@harwin.com

THIS DRAWING AND ANY INFORMATION OR DESCRIPTIVE MATTER SET OUT HEREON ARE CONFIDENTIAL AND COPYRIGHT PROPERTY OF THE HARWIN GROUP AND MUST NOT BE DISCLOSED, LOANED, COPIED OR USED FOR MANUFACTURING, TENDERING OR FOR ANY OTHER PURPOSE WITHOUT THEIR WRITTEN PERMISSION.

TOLERANCES

X. = ±1mm
X.X = ±0.50mm
X.XX = ±0.10mm
X.XXX = ±0.01mm

ANGLES = ±5°
UNLESS STATED

MATERIAL:

STEEL

FINISH:

S/AREA:

mm²

TITLE:

HEX DRIVE BIT
2.0mm x 50mm

DRAWING NUMBER:

Z9951-00

SHT

2 OF 2