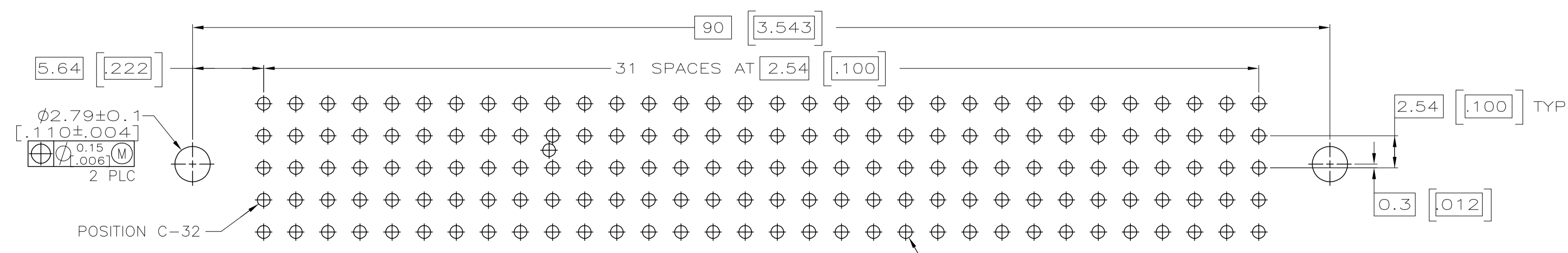
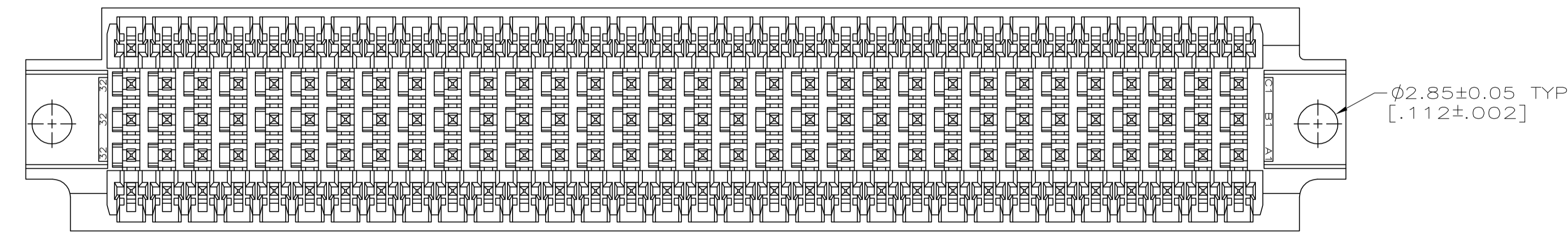
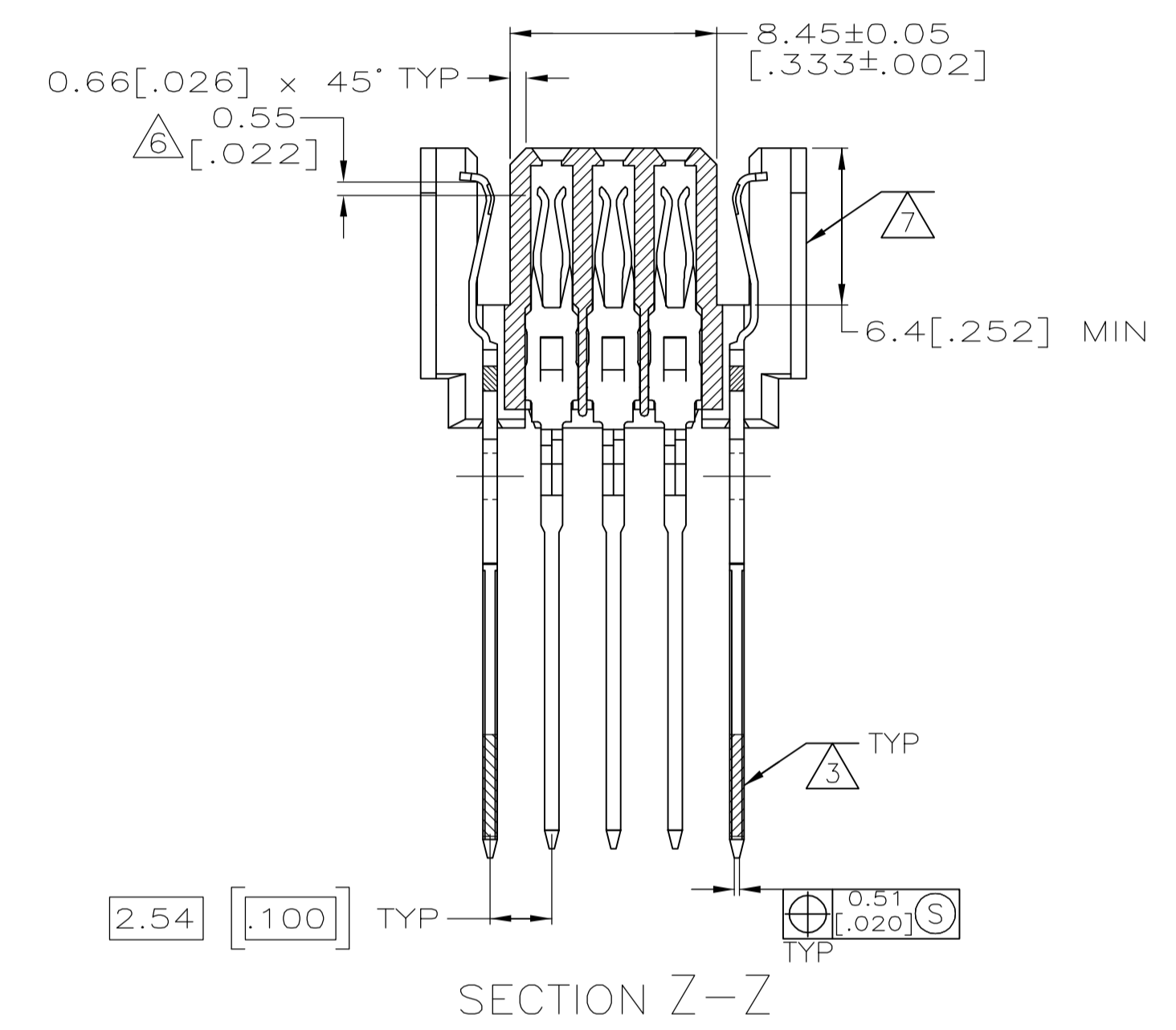
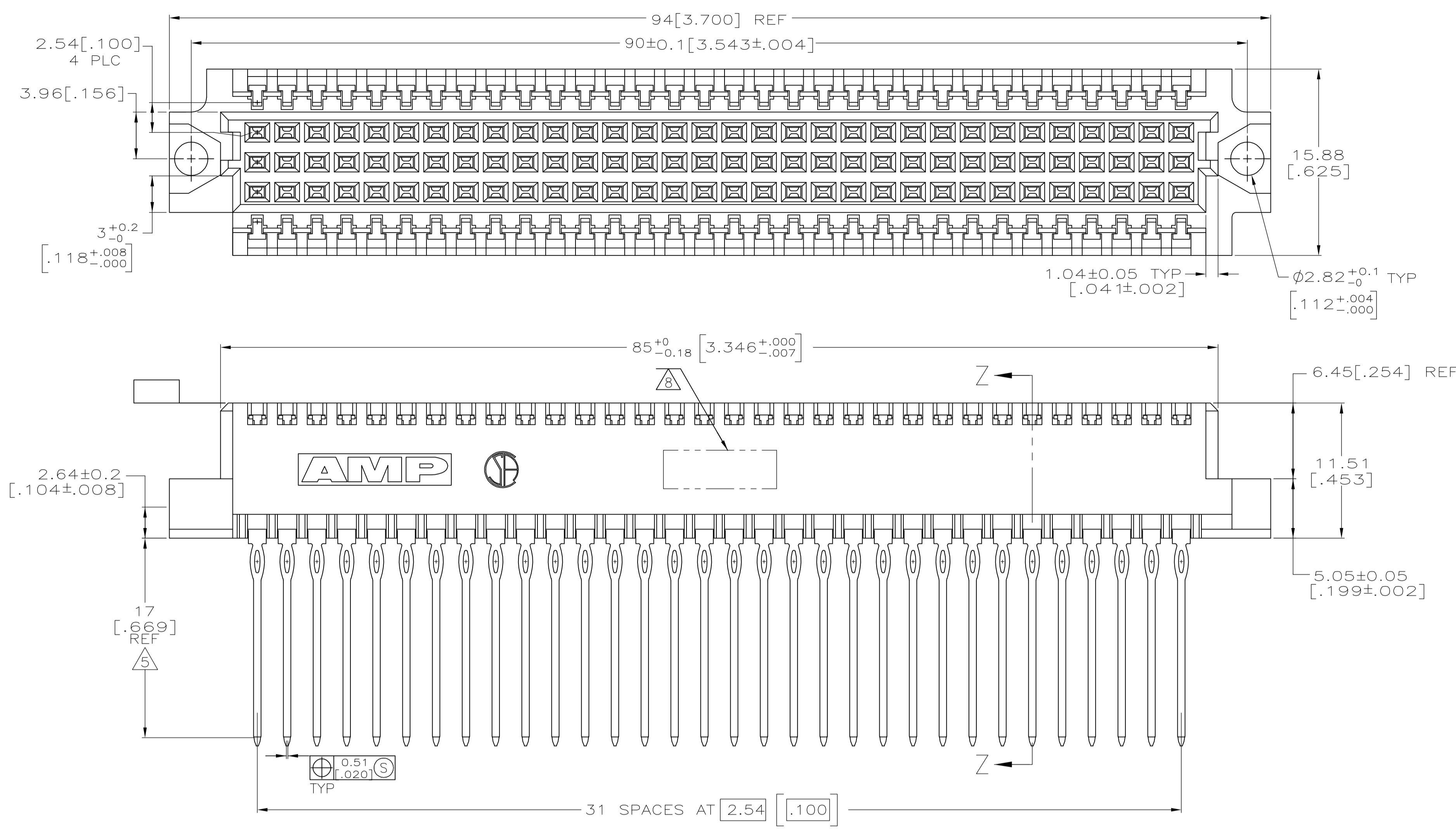


LOC		DIST		REVISIONS			
P	LTR	DESCRIPTION	DATE	DNW	APVD		
C		REVISED PER ECO-05-015584	19DEC05	JDP	RAP		

- 1 HOUSING MATERIAL: GLASS-FILLED POLYESTER. COLOR: GRAY.
- 2 CONTACT MATERIAL: PHOSPHOR BRONZE.
- 3 CONTACT FINISH: DIN 41612 CLASS 2 IN CONTACT AREA AND LAST 5.08 [.200] OF THE TAILS.
- 4 ACTION PIN POSTS REQUIRE 1.57[.062] MINIMUM THICK PC BOARD. RECOMMENDED PC BOARD DRILLED HOLES ARE $\phi 1.15 \pm 0.025$ [.0453 \pm .0010] WITH 0.02-0.08 [.001-.003] COPPER AND 0.008 [.0003] MINIMUM TIN-LEAD PLATING. FINISHED HOLE AFTER PLATING IS $\phi 1.02 \pm 0.08$ [.040 \pm .002].
- 5 TAIL LENGTH AFTER SEATED IN PC BOARD.
- 6 CONTACT POINTS AFTER SEATED IN PC BOARD.
- 7 HOT-STAMPING ON THIS SIDE.
- 8 PART NUMBER AND DATE CODE HOT-STAMPED IN THIS APPROXIMATE AREA.



PC BOARD LAYOUT

1-148445-5
PART NUMBER

THIS DRAWING IS A CONTROLLED DOCUMENT.		DIN L BRINER 1/6/98		Tyco Electronics Corporation Harrisburg, PA 17105-3608	
DIMENSIONS: mm [INCHES]		CHK R PATTERSON 1/6/98		APVD R PATTERSON 1/6/98	NAME RCPT ASSY, ENHANCED EUROCARD, VME 64, 160 POSITION
TOLERANCES UNLESS OTHERWISE SPECIFIED:		APPLICATION SPEC		SIZE A1	RESTRICTED TO
0 PLC ± - 1 PLC ± - 2 PLC ± 0.13 [.005] 3 PLC ± - 4 PLC ± - ANGLES ± -		MATERIAL		SCALE 4:1	SHEET 1 OF 1
0 PLC ± - 1 PLC ± - 2 PLC ± 0.13 [.005] 3 PLC ± - 4 PLC ± - ANGLES ± -		FINISH		DRAWING NO. 00779	REV C
0 PLC ± - 1 PLC ± - 2 PLC ± 0.13 [.005] 3 PLC ± - 4 PLC ± - ANGLES ± -		WEIGHT CUSTOMER DRAWING		DRAWING NO. 148445	REV C