

NOTES:

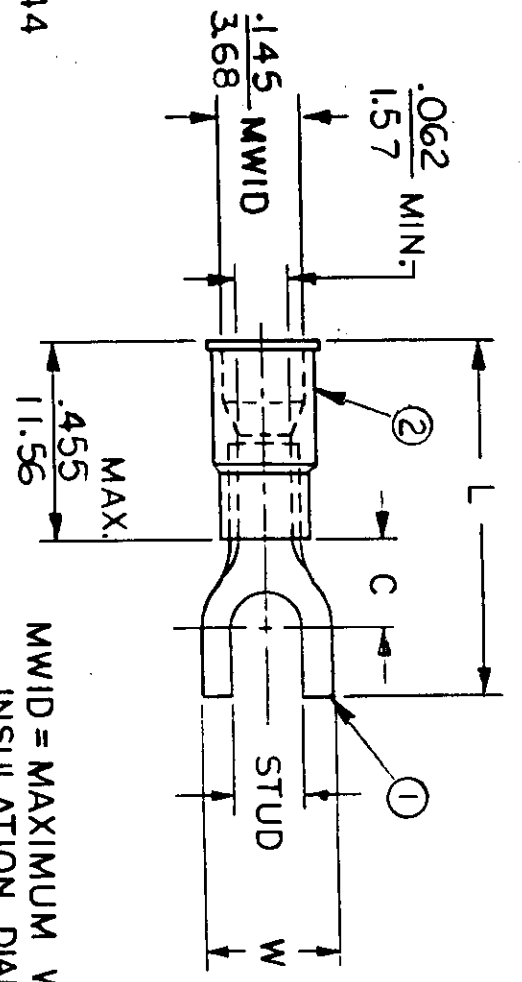
- ① MAT'L: COPPER(STOCK TKN. $\frac{028-.0001}{.71}$)
- PLATING: ELECTRO-TIN (.0003 MIN.)
- ② INSULATION: MOLDED PVC (RED)

STUD SIZES: ($\pm .005$)

- 02 = .094
- 04 = .119
- 06 = .146
- 08 = .173
- 10 = .198
- 14 = .265
- 56 = .328
- 38 = .390

"UL" LISTING *E32244
 "CSA" LISTING *18689

ALL DIMENSIONS = INCHES / MM



MWID = MAXIMUM WIRE
 INSULATION DIAMETER
 WIRE SIZE 22-18 AWG
 25-1.5 MM²

PART NUMBER	"W" ±.010	"C" MIN.	"L" MAX.	REFERENCE	SCALE:	NTS	DATE	TITLE:	INCORPORATED	
									DWG. NO.	CUSTOMER DWG.
A-235	.316 8.02	.303 7.70	.974 24.74				10-24-84	SPADE TONGUE TERMINAL INSULKRIMP 200-SERIES	A	
DIMENSIONAL TOLERANCES UNLESS OTHERWISE SPECIFIED FRAC. DEC. ANG. ± ± ±										
CHKD. BY: GZ APPRD. BY:										

