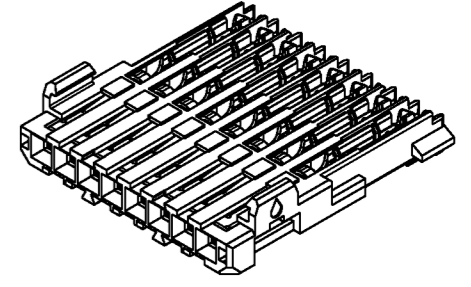
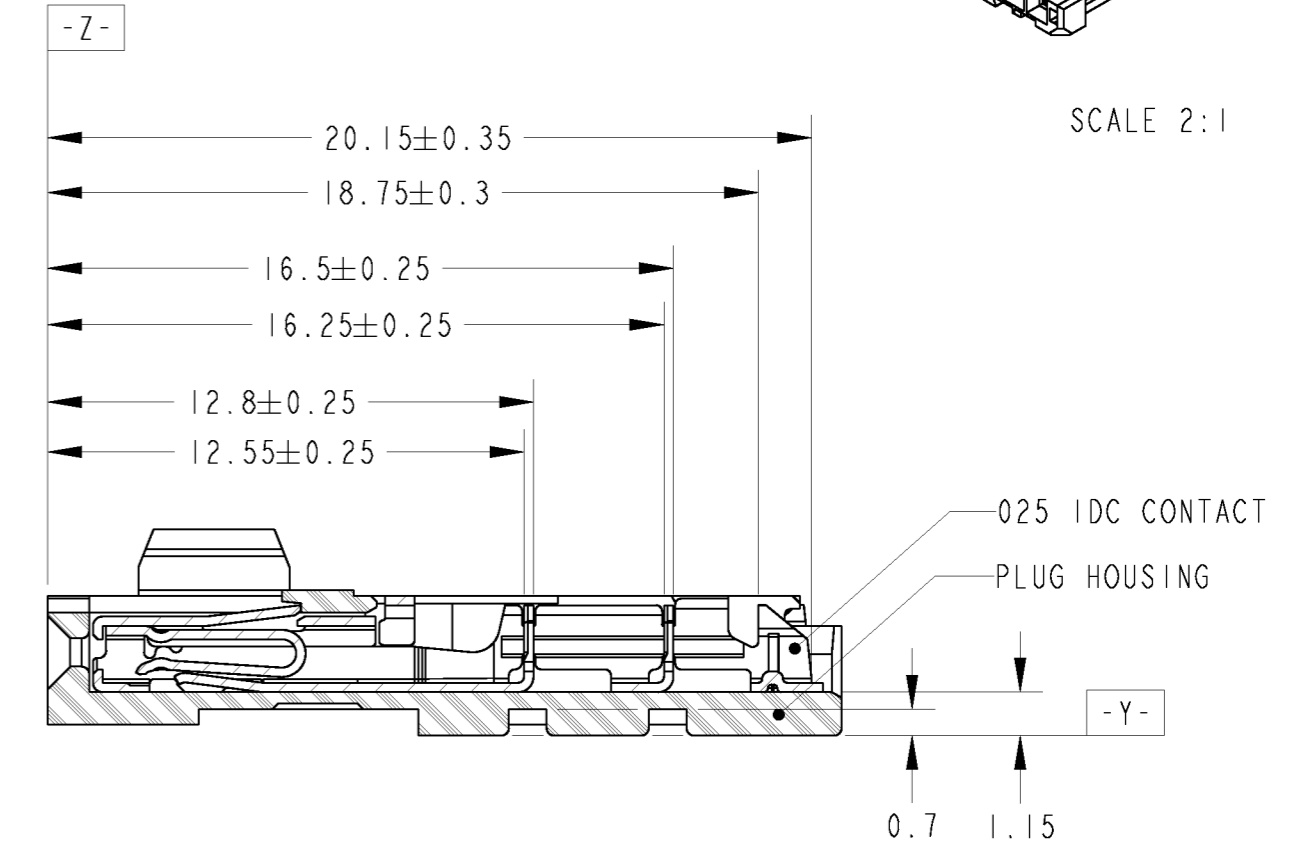
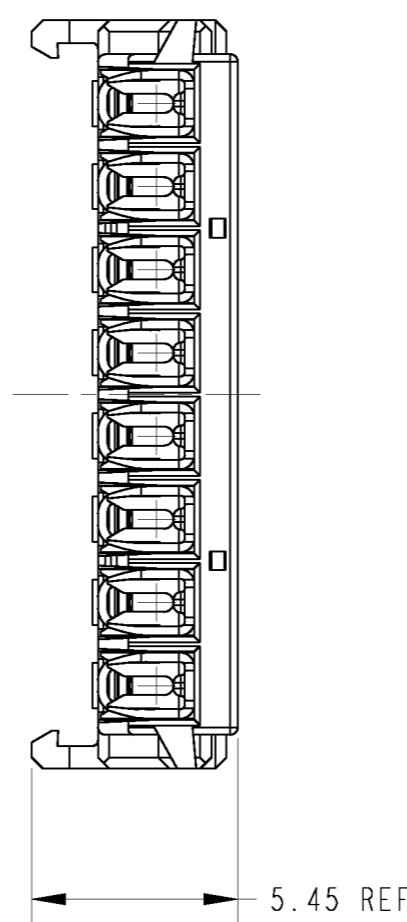
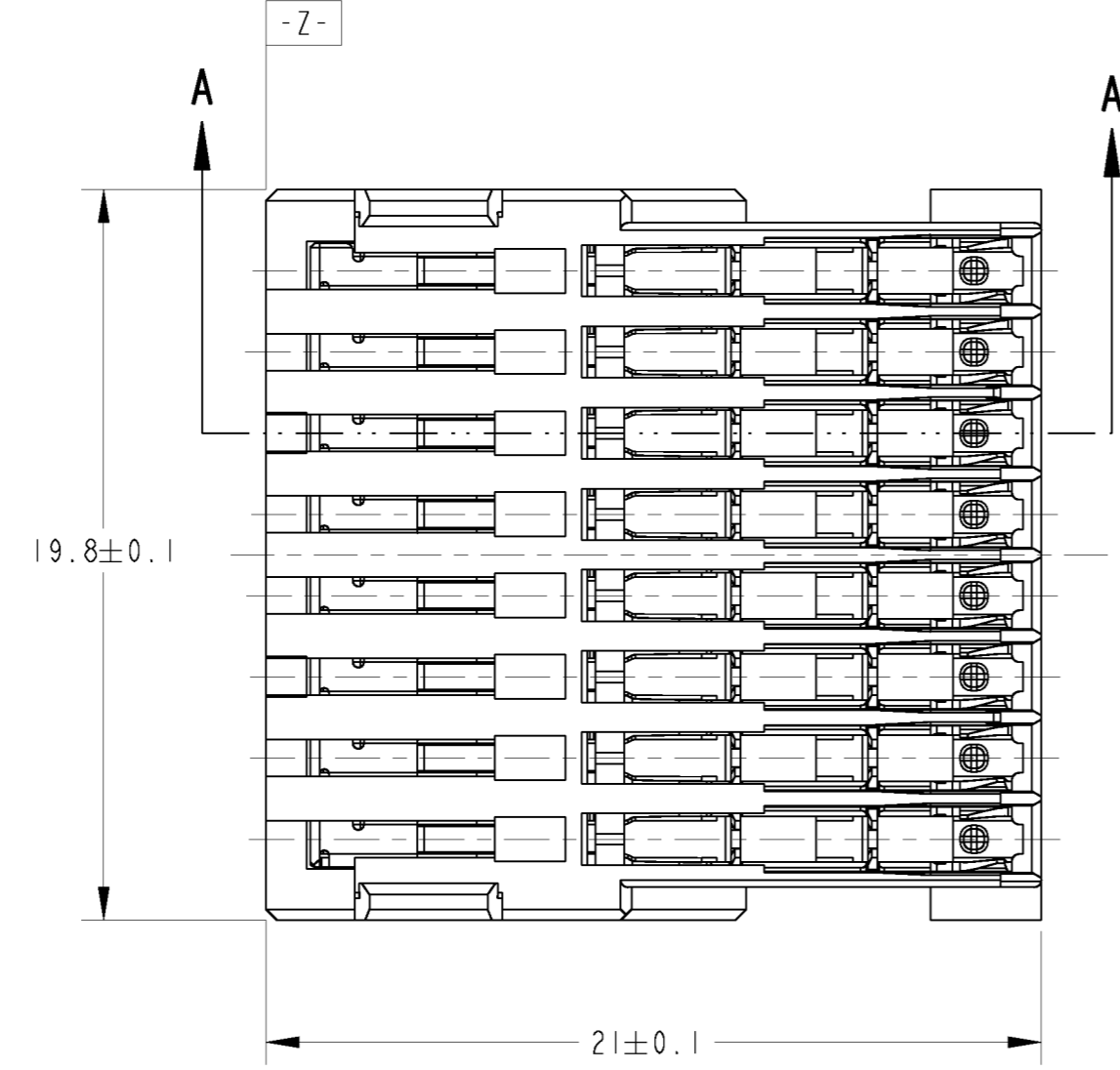
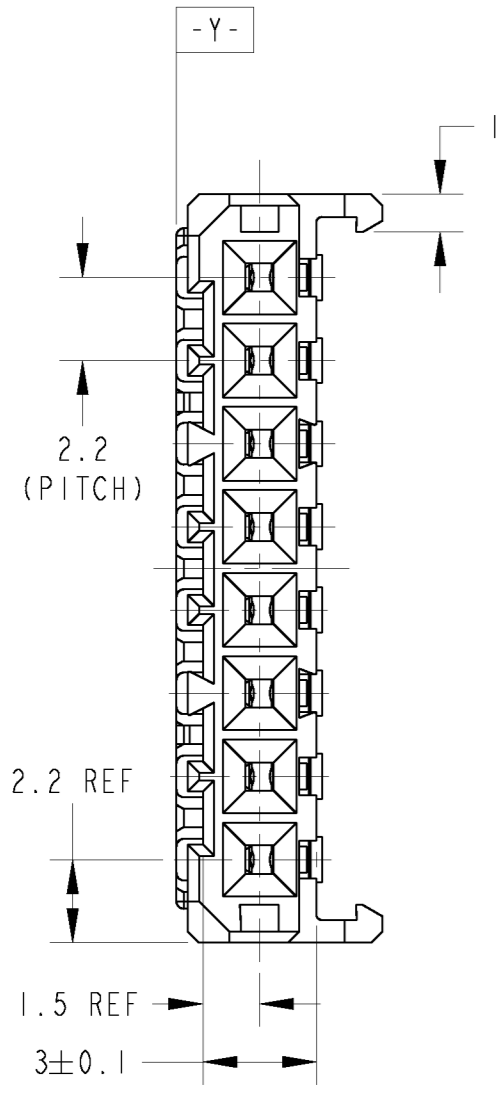


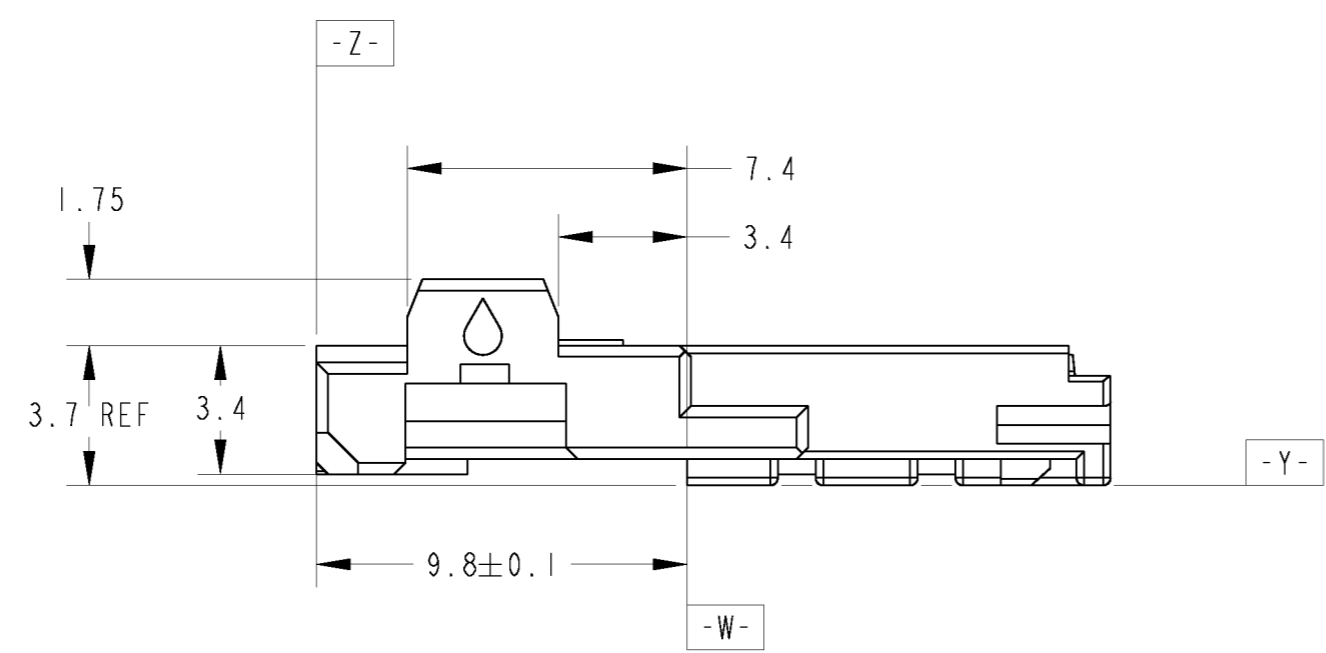
THIS DRAWING IS UNPUBLISHED. RELEASED FOR PUBLICATION 2011
 (C) COPYRIGHT 2011 ALL RIGHTS RESERVED.

LOC	DIST	REVISIONS					
J		P	LTR	DESCRIPTION	DATE	DWN	APVD
		P		REVISED PER ECO-11-005140	05APR2011	RK	HMR



SCALE 2:1

断面 A-A



- 1. 取扱説明書: 411-5912
 - 2. 本品はロックハウジング型番 1318694を装着して使用する。
 - 3. 嵌合相手型番: 1318382
1. INSTRUCTION SHEET: 411-5912
 2. PLUG HOUSING MUST BE USED WITH LOCK HOUSING
 P/N: 1318694
 3. PART NUMBER OF HOUSINGS TO BE MATED: 1318382

NATURAL	1318690-1
HOUSING COLOR	PART NUMBER

THIS DRAWING IS A CONTROLLED DOCUMENT.		DWN S. AMEMIYA	22FEB00	 TE Connectivity	
DIMENSIONS: 単位: 英		CHK N. SAI	22FEB00		
TOLERANCES UNLESS OTHERWISE SPECIFIED: 一般公差: ±0.3		APVD N. SAI	22FEB00		
MATERIAL HSG: PBT CONT: Cu Alloy		PRODUCT SPEC 108-5660	APPLICATION SPEC 114-5276		
FINISH 仕上げ HSG: SEE TABLE CONT: POST TIN		WEIGHT	2.5g	SIZE	A2
		CUSTOMER DRAWING		CAGE CODE	00779
				DRAWING NO	G-1318690
				RESTRICTED TO	-
				SCALE	5:1
				SHEET	1 OF 1
				REV	P